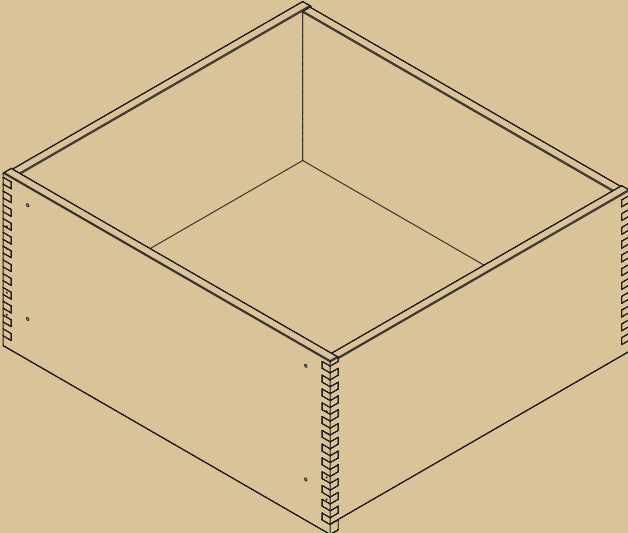


PRODUCT MANUAL WOOD DRAWER





English

Important information.
Read carefully. Follow each step of the instruction carefully.
Keep this information for further reference.

WARNING

Serious or fatal crushing injuries can occur from furniture tip-over. To prevent this furniture from tipping over it must be permanently fixed to the wall with the included wall attachment devices.

Fastening devices for the wall are not included since different wall materials require different types of fastening devices. Use fastening devices suitable for the walls in your home. For advice on suitable fastening devices, contact your local specialized dealer.

Safety recommendation:

- Place heaviest items in the lowest drawers.
- Prevent children from climbing or hanging on the drawers, doors or shelves.

Dansk

Vigtige oplysninger Læs omhyggeligt Følg de enkelte trin i anvisningerne omhyggeligt Gem disse oplysninger til senere brug.

ADVARSEL!

Der kan opstå alvorlig eller livsfarlig tilskadekomst, hvis møblet vælter. For at undgå, at møblet vælter, skal det fastgøres permanent til væggen med de medfølgende vægbeslag.

Forskellige vægmaterialer kræver forskellige skruer og rawplugs. Medfølger ikke. Brug skruer og rawplugs, der passer til væggene i dit hjem. Hvis du er i tvivl om, hvilken type skruer/rawplugs du skal bruge, skal du kontakte et byggemarked.

Deutsch

Wichtige information.
Sorgfältig lesen. Jeden Schritt der Anleitung sorgfältig befolgen.
Diese Information aufbewahren.

ACHTUNG

Wenn Möbelstücke umkippen, können ernste oder lebensgefährliche Verletzungen durch Einklemmen die Folge sein. Um zu verhindern, dass dieses Möbelstück umkippt, muss es mit der beigegepackten Vorrichtung zur Wandbefestigung fest an der Wand verankert werden.

Beschläge für die Wandbefestigung sind nicht beigegepackt, da sie von der Beschaffenheit der Wand und des Untergrundmaterials abhängig sind. Befestigungsbeschläge benutzen, die für die heimischen Wände geeignet sind. Bei diesbezüglichen Fragen den.

Français

Information importante.
Lire attentivement. Suivre soigneusement chacune des étapes de ces instructions. Conserver ces instructions pour une utilisation ultérieure.

ATTENTION

Risque de blessure grave ou mortelle en cas de basculement du meuble. Pour éviter que le meuble ne bascule, il faut le fixer au mur de façon permanente à l'aide des pièces pour fixation incluses.

Les vis ne sont pas incluses car leur choix dépend du matériau du mur sur lequel est fixé le meuble. Utilisez des vis adaptées au matériau du mur. Pour obtenir des conseils sur les vis à utiliser, adressez-vous à un vendeur spécialisé.

INDEX

4	INTRODUCTION
5	DRAWER SLIDES
8	TIP-ON / BLUMOTION
9	INSTALLATION OF DRAWER BOX
18	FINAL ADJUSTMENTS

INTRODUCTION

In the following pages, you'll find easy-to-follow instructions with images that show you how to assemble your Reform wood drawers. The box is the same for the regular drawer box and the inner drawer box. The difference lies in the drillings on the front. The guide is divided into three sections and our equipment for wood drawers comes in 2-3 boxes:

- 1) Drawer box (3 sizes: low, medium, high)
- 2) Drawer slides (3 lengths: 350 mm, 400 mm, 500 mm)
- 3) (OPTIONAL) push-system / tip-on blumotion technology

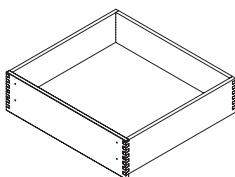
If you'd like more in-depth information about blumotion technology, we recommend visiting the manufacturer, Blum: <https://www.blum.com/mk/en/products/motion-technologies/tip-on-blumotion/movento/programme/>

TOOLS YOU MIGHT NEED

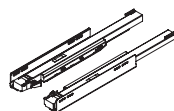


SCREWDRIVER PH

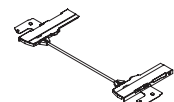
EQUIPMENT



DRAWER
HIGH / MEDIUM / LOW



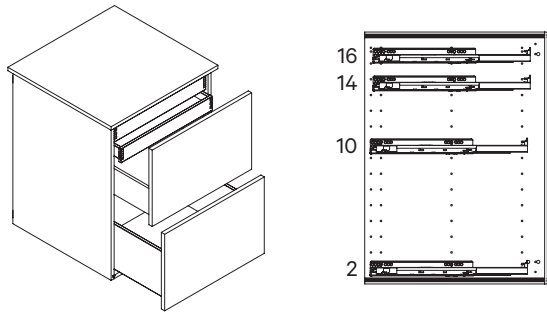
DRAWER SLIDES
LENGTH 350 MM / 400 MM / 500 MM



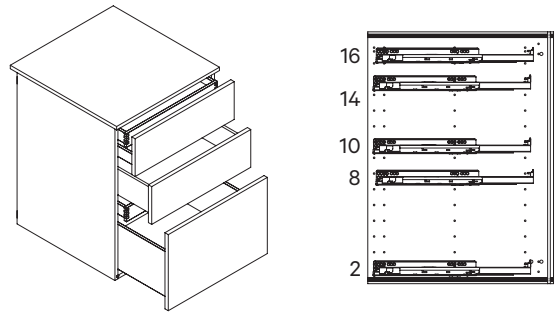
PUSH FUNCTION
TIP-ON BLUMOTION

DRAWER SLIDES PLACEMENTS 1

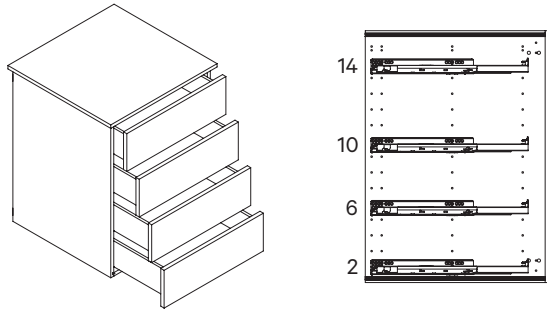
Below, you'll find the five most common combinations.



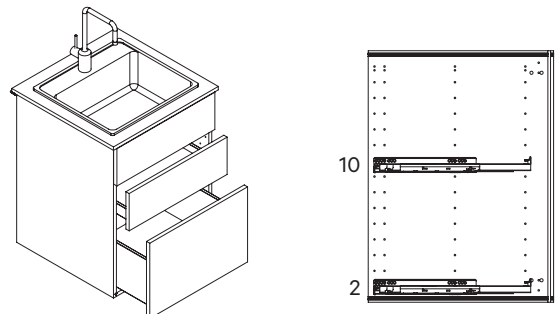
DRAWER SLIDES PLACEMENT 1.



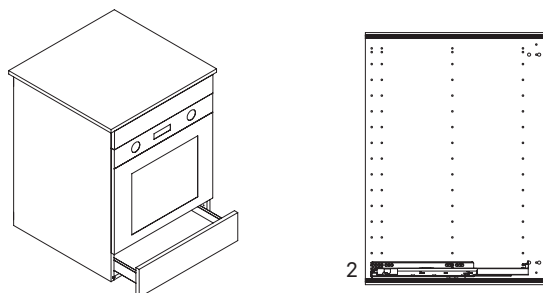
DRAWER SLIDES PLACEMENT 2.



DRAWER SLIDES PLACEMENT 4.



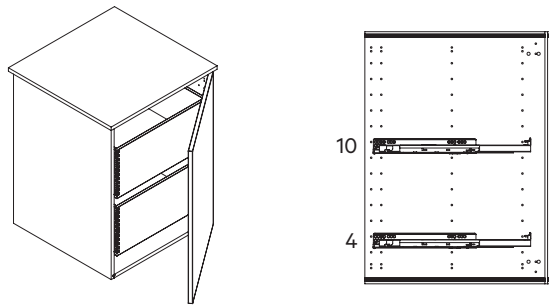
DRAWER SLIDES PLACEMENT 5.



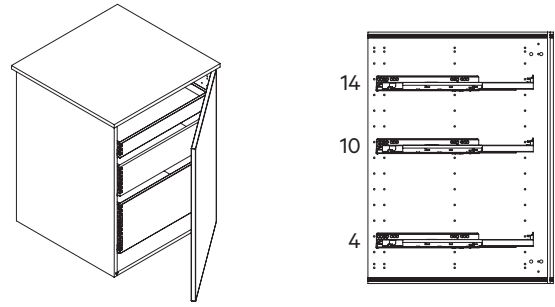
DRAWER SLIDES PLACEMENT 6.

DRAWER SLIDES PLACEMENTS 2

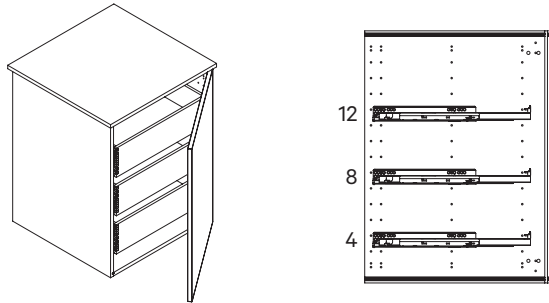
Below, you'll find the five most common combinations.



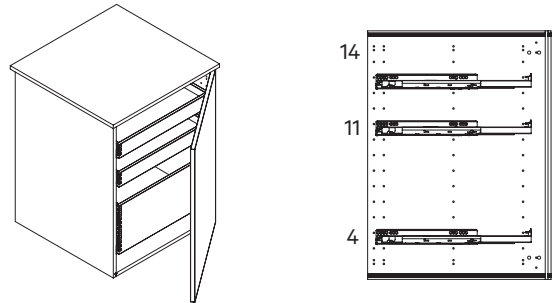
DRAWER SLIDES PLACEMENT 1.



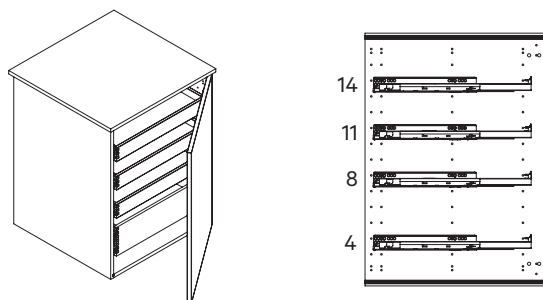
DRAWER SLIDES PLACEMENT 2.



DRAWER SLIDES PLACEMENT 3.



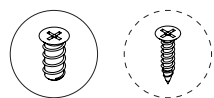
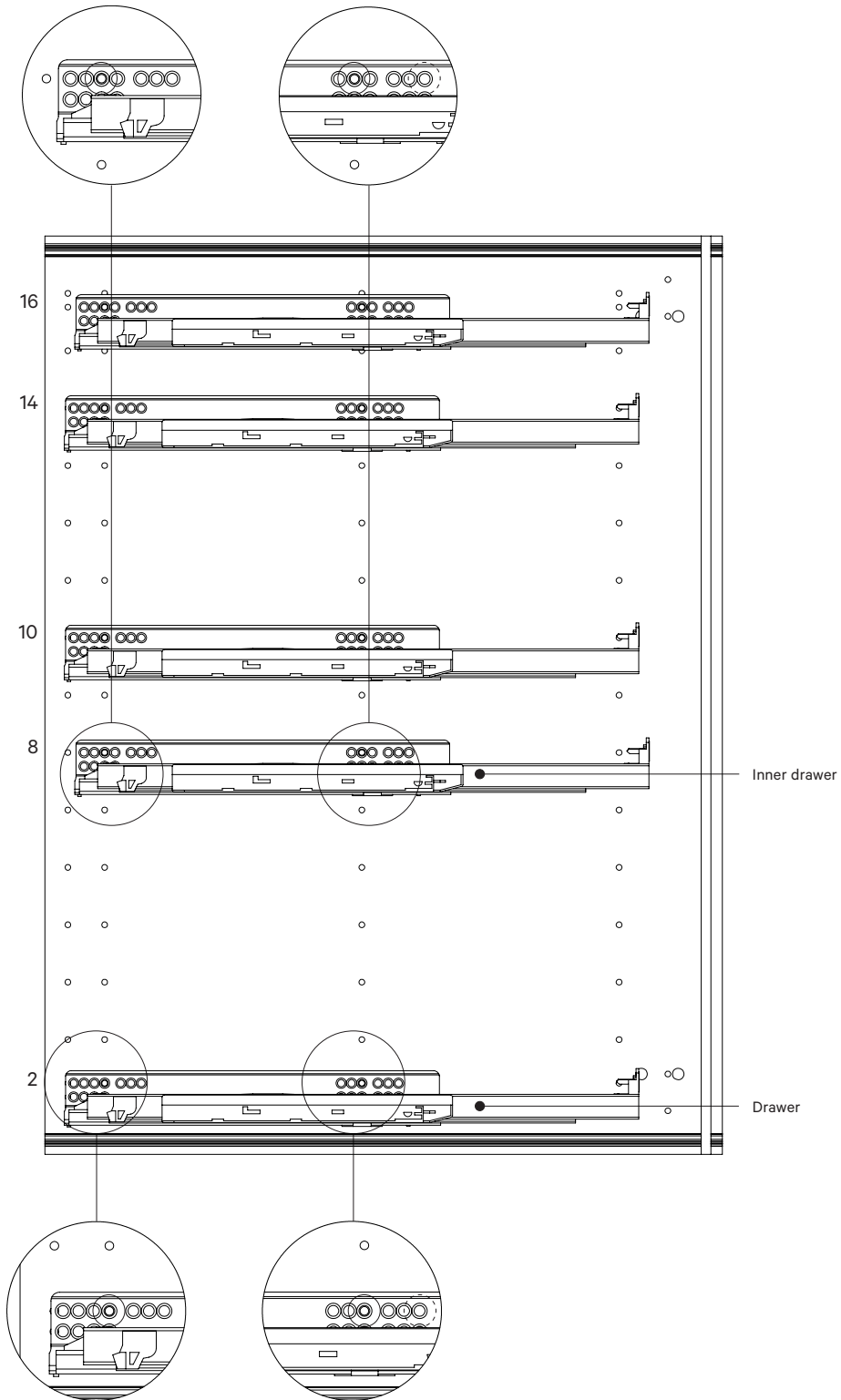
DRAWER SLIDES PLACEMENT 4.



DRAWER SLIDES PLACEMENT 5.

MOUNTING DRAWER SLIDES

Make sure that you use the right drawer slide hole when you mount the slide on the cabinet. Note that drawer slides for inner drawers are mounted differently.

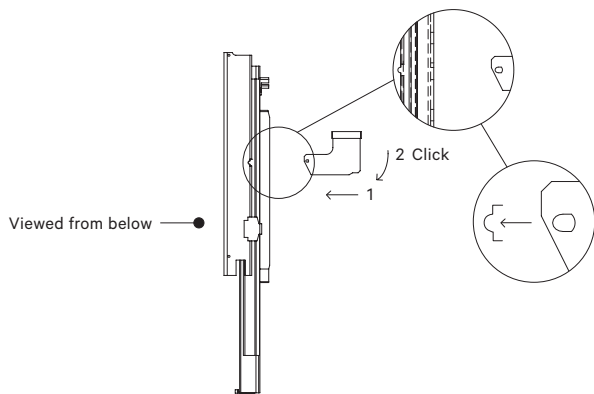


PLEASE NOTE THAT YOU HAVE TWO TYPES OF SCREWS.
EACH SCREW IS COMPATIBLE WITH A PARTICULAR HOLE.

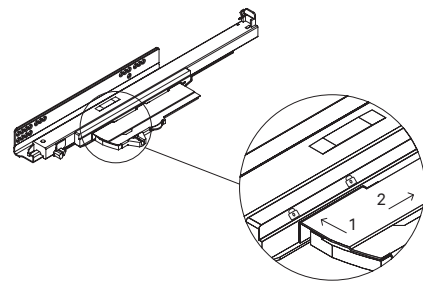
TIP-ON / BLUMOTION

If you've acquired push-function for your drawers, follow the instructions outlined below.

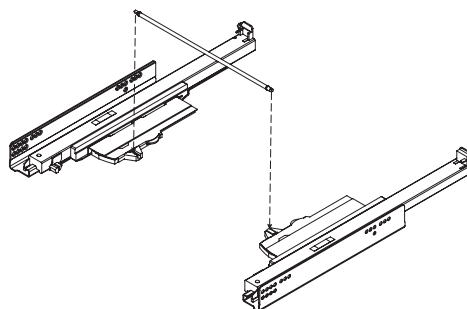
If you'd like more in-depth information on TIP-ON BLUMOTION technology, we recommend visiting the wooden drawer manufacturer, Blum: <https://www.blum.com/us/en/products/runnersystems/movento/assembly/>



STEP 1 - LATCH



STEP 2 - UNIT



STEP 3 - SYNCHRONIZATION ROD

INSTALLATION OF DRAWER BOX

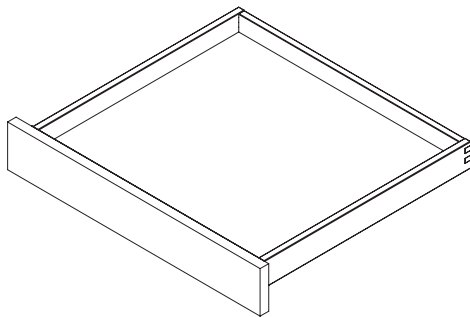
In the following pages, you'll find instructions for mounting these combinations:

- 1) Low drawer box + 10 cm / 15 cm / 20 cm front
- 2) Medium drawer box + 20 cm / 40 cm front
- 3) High drawer box + 40 cm / 60 cm front

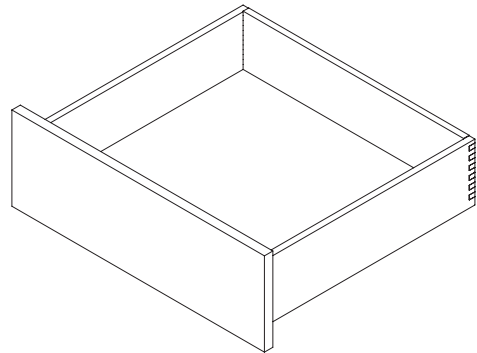
Please note that the fronts should be mounted according to the specific drawer location in the cabinet.

Drawer box \ Front size	10 cm	15 cm	20 cm	40 cm	60 cm
Low	Page 11	Page 12	Page 13	-	-
Medium	-	-	Page 14	Page 15	-
High	-	-	-	Page 16	Page 17

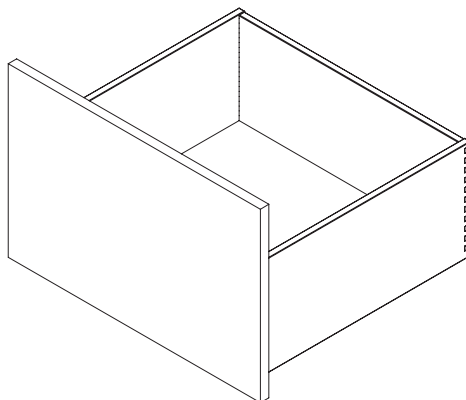
OVERVIEW



LOW



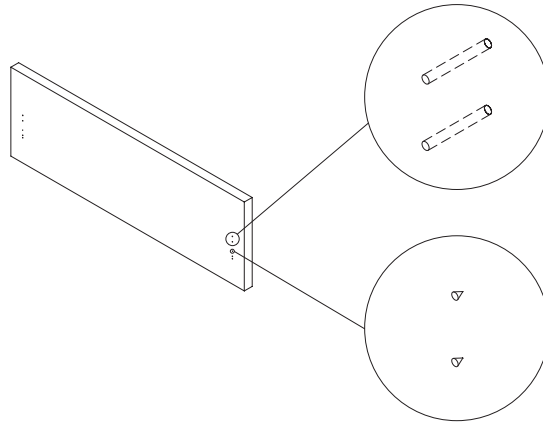
MEDIUM



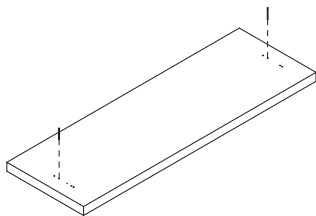
HIGH

MOUNTING DRAWER FRONTS GENERAL INTRODUCTION

Please note that the fronts should be mounted according to the specific drawer location in the cabinet.

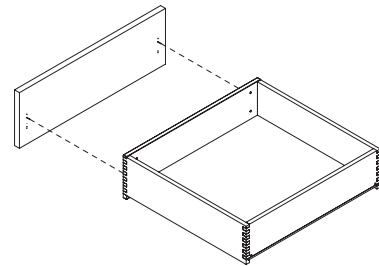


HOLES AND DOTS



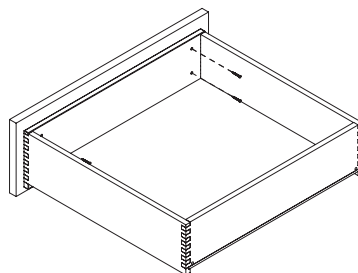
STEP 1

START BY PLACING THE DOWELS ON THE FRONT.
SEE WHAT HOLES TO USE IN THE FOLLOWING PAGES.



STEP 2

PUT THE FRONT WITH THE DOWELS.
SEE WHAT HOLES TO USE ON THE FOLLOWING PAGES.

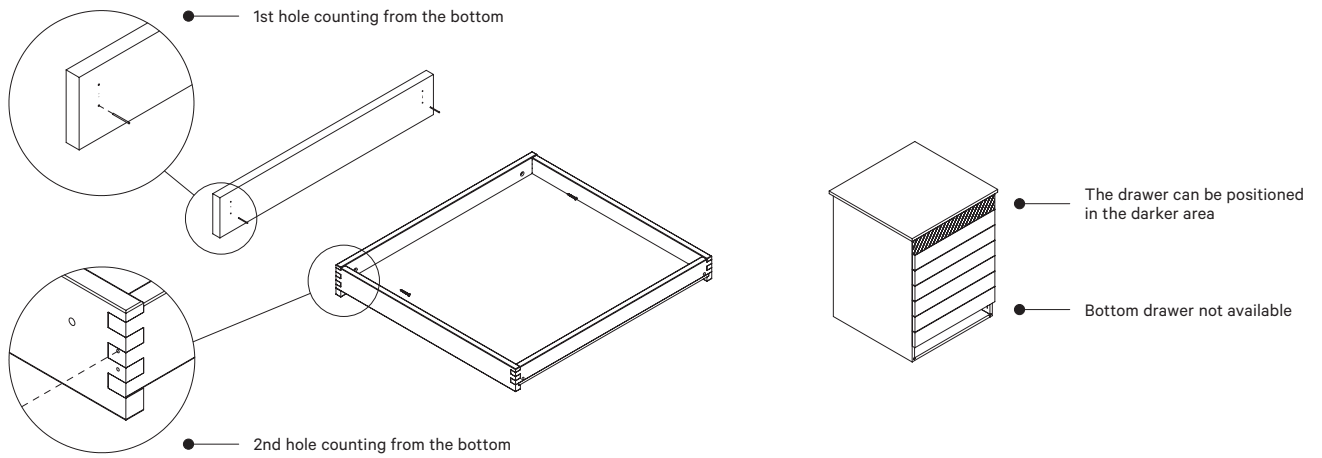


STEP 3

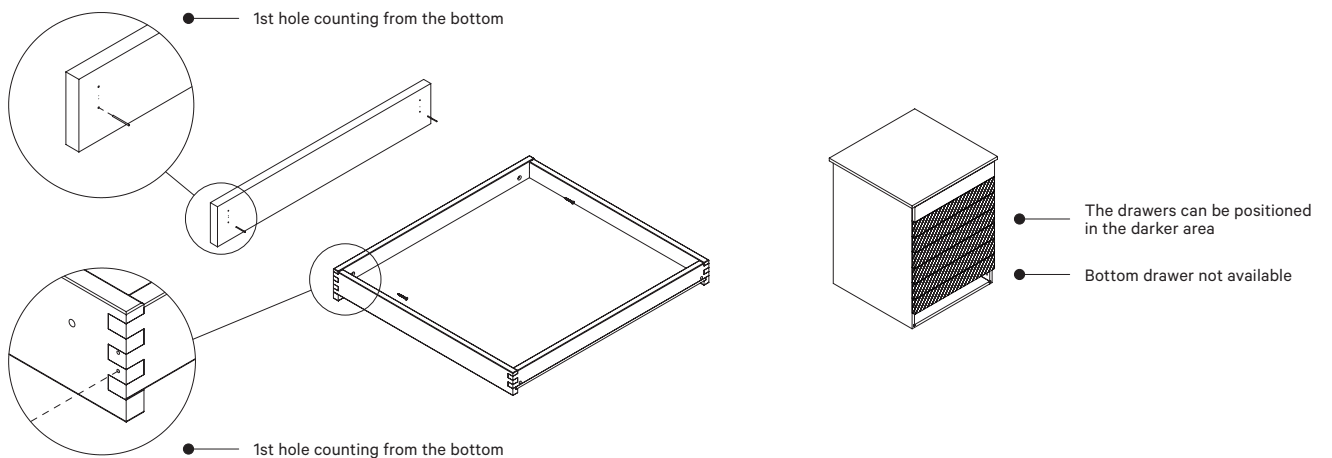
FIX IT WITH WOOD SCREWS.

MOUNTING DRAWER FRONTS LOW DRAWER + 10 CM FRONT

Drawer box \ Front size	10 cm	15 cm	20 cm	40 cm	60 cm
Low	x	x	x	-	-

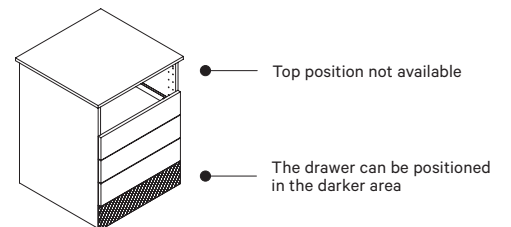
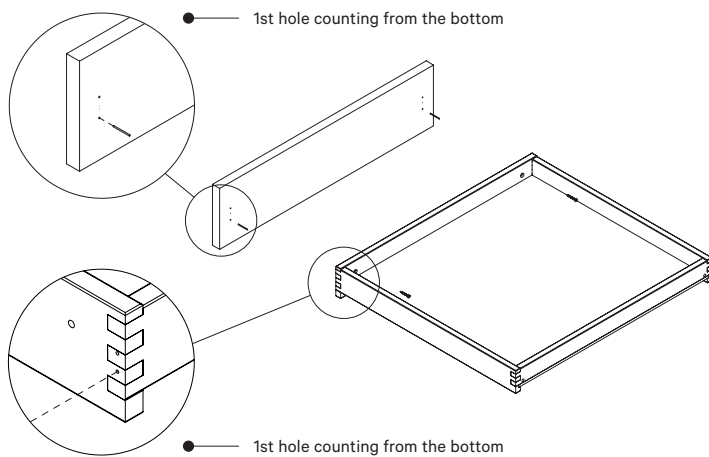


DRAWER FRONT POSITIONED IN THE TOP.

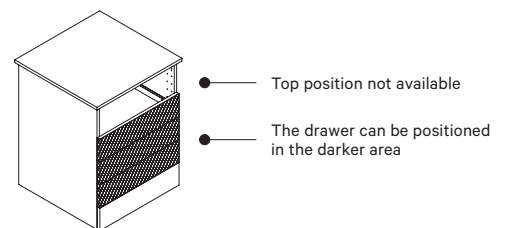
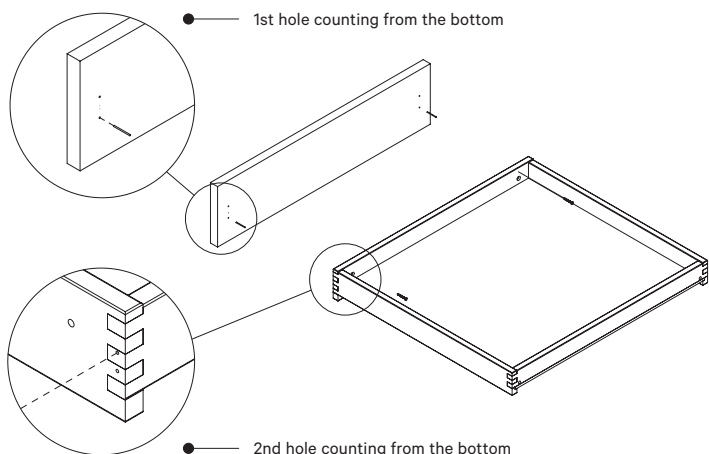


DRAWER FRONT POSITIONED IN THE MIDDLE.

MOUNTING DRAWER FRONTS LOW DRAWER + 15 CM FRONT

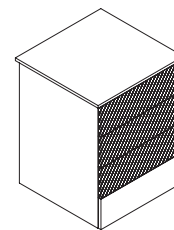
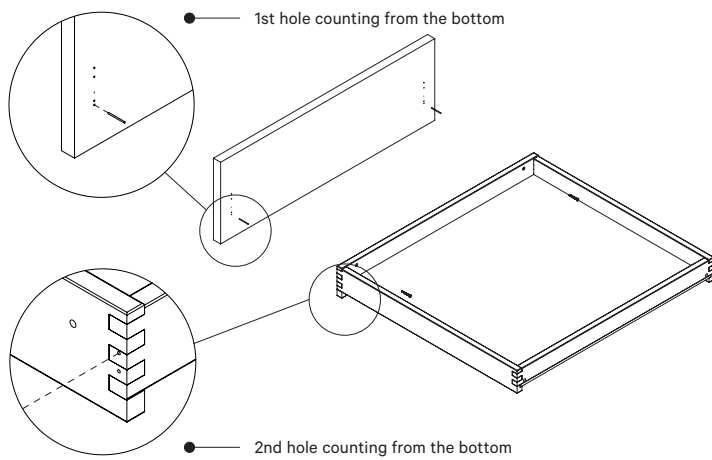


DRAWER FRONT POSITIONED IN THE BOTTOM.

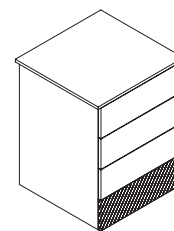
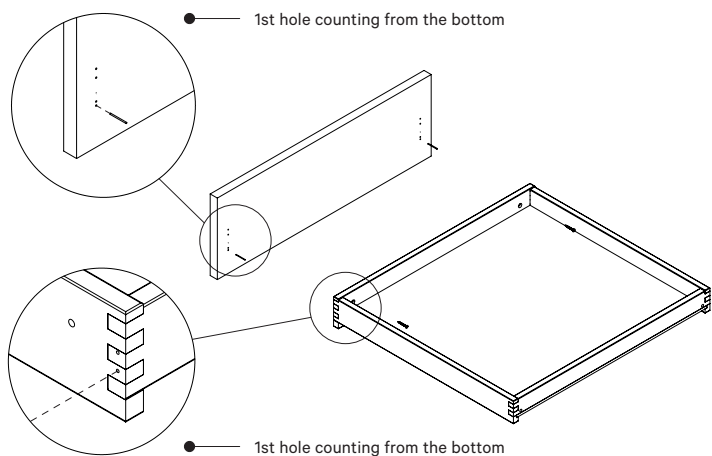


DRAWER FRONT POSITIONED IN THE MIDDLE.

MOUNTING DRAWER FRONTS LOW DRAWER + 20 CM FRONT



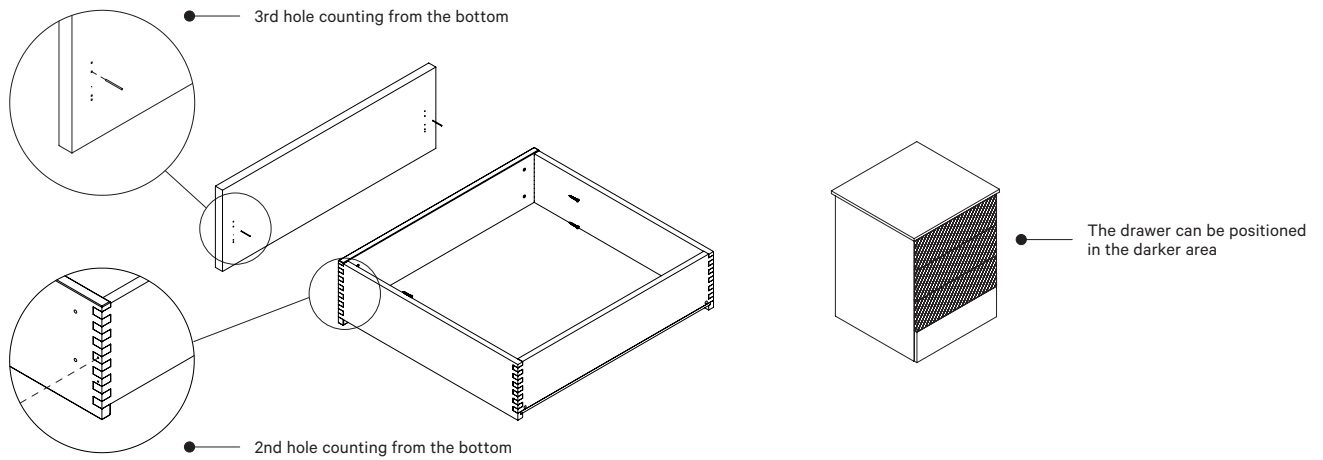
DRAWER POSITIONED IN THE TOP AND MIDDLE.



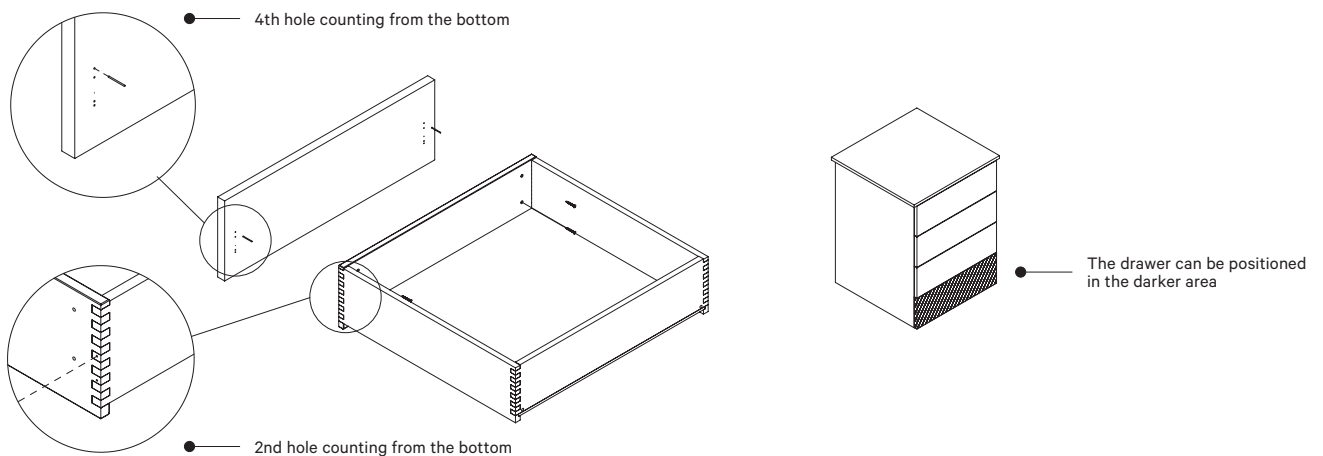
DRAWER POSITIONED IN THE BOTTOM.

MOUNTING DRAWER FRONTS MEDIUM DRAWER + 20 CM FRONT

Drawer box \ Front size	10 cm	15 cm	20 cm	40 cm	60 cm
Medium	-	-	x	x	-

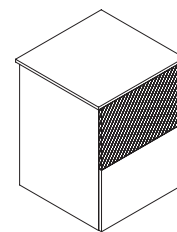
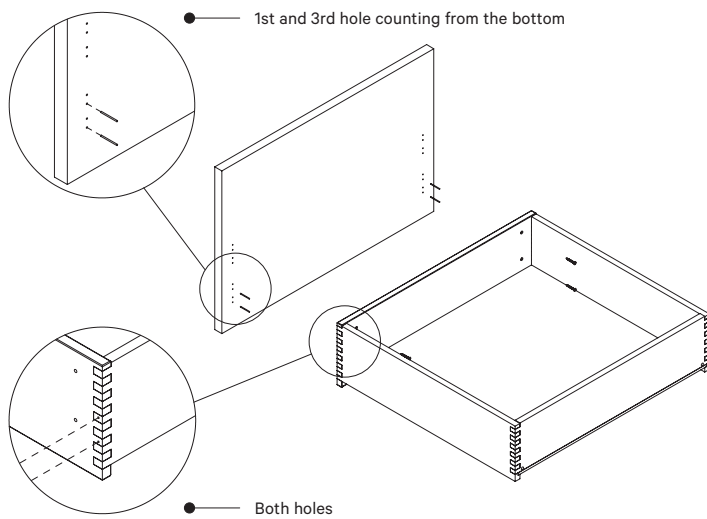


DRAWER POSITIONED IN THE TOP AND THE MIDDLE.



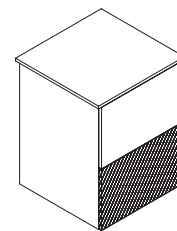
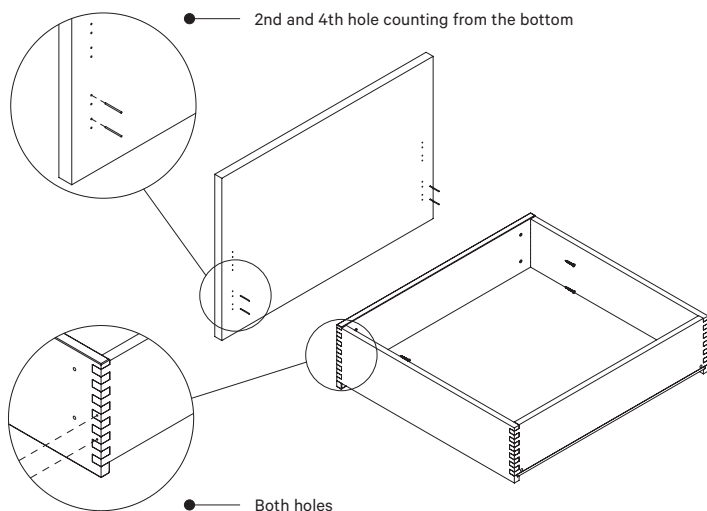
DRAWER POSITIONED IN THE BOTTOM.

MOUNTING DRAWER FRONTS MEDIUM DRAWER + 40 CM FRONT



The drawer can be positioned in the darker area

DRAWER POSITIONED IN THE TOP.

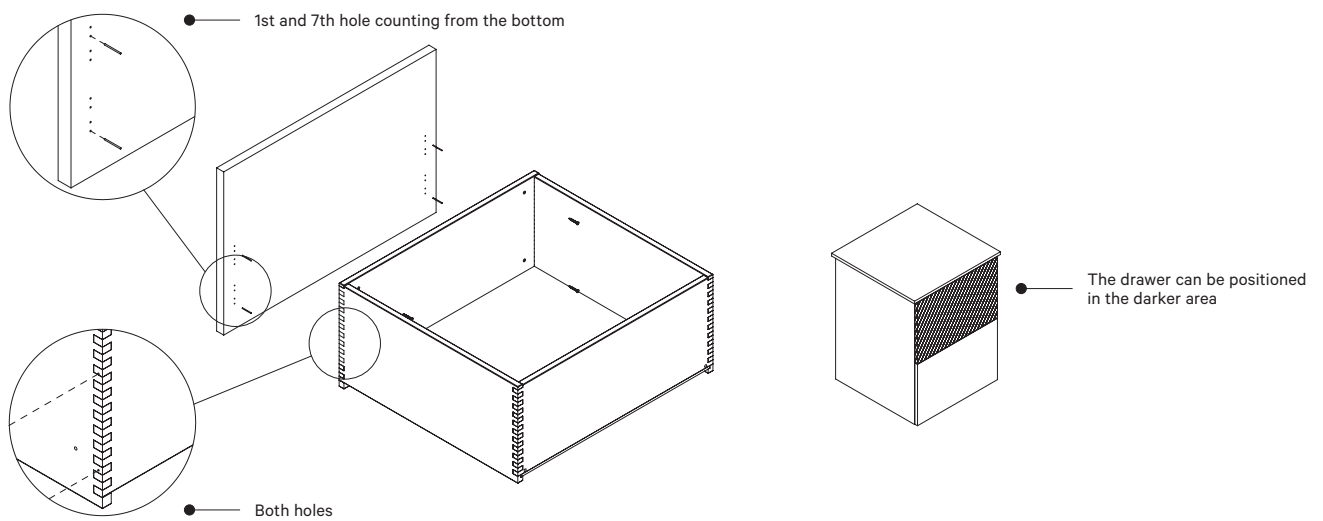


The drawer can be positioned in the darker area

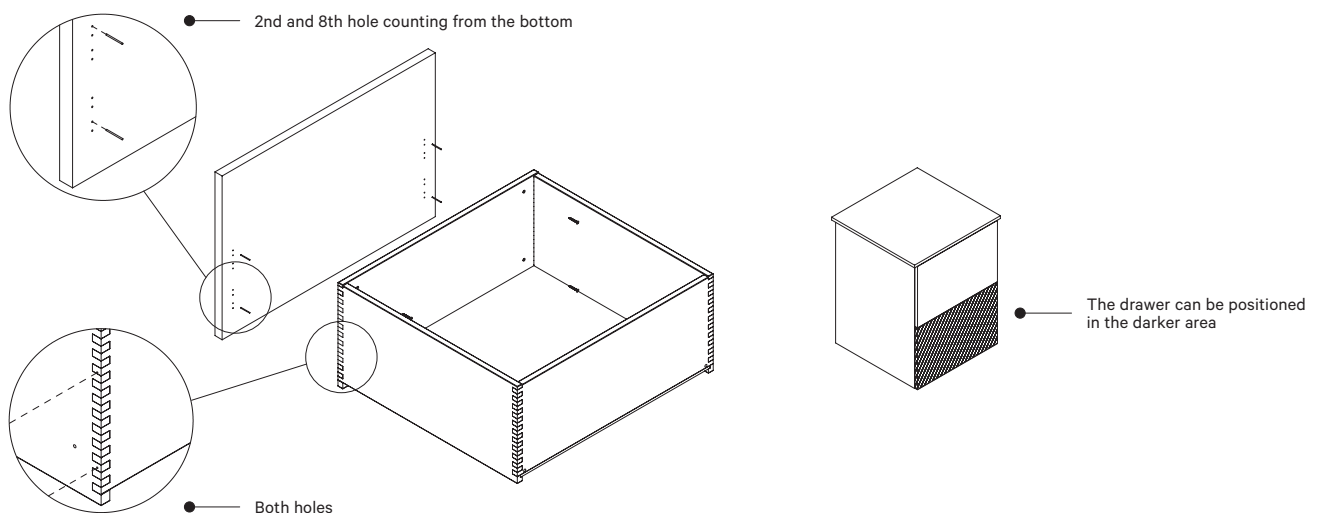
DRAWER POSITIONED IN THE BOTTOM.

MOUNTING DRAWER FRONTS HIGH DRAWER + 40 CM FRONT

Drawer box \ Front size	10 cm	15 cm	20 cm	40 cm	60 cm
High	-	-	-	x	x

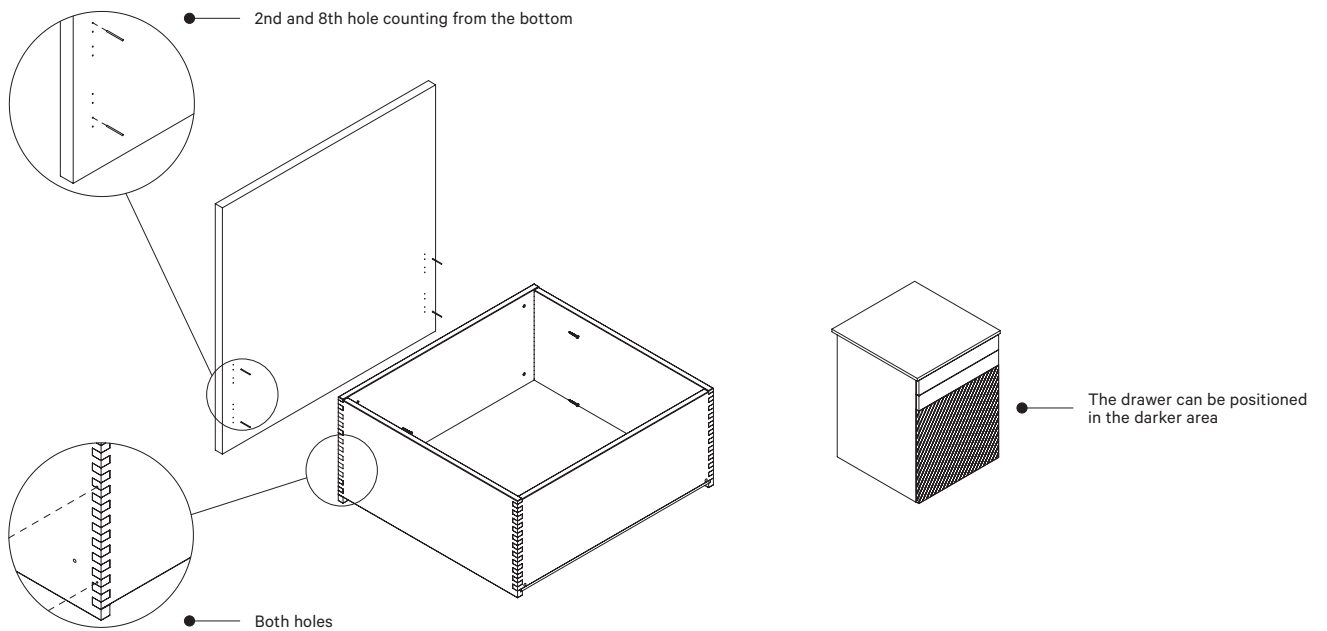


DRAWER POSITIONED IN THE TOP.



DRAWER POSITIONED IN THE BOTTOM.

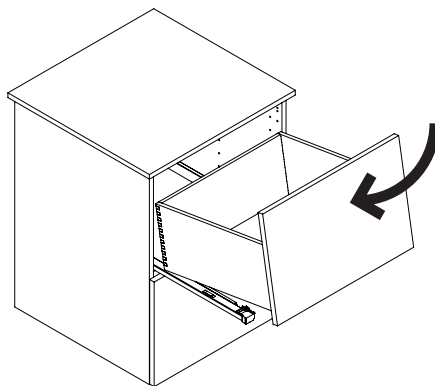
MOUNTING DRAWER FRONTS HIGH DRAWER + 60 CM FRONT



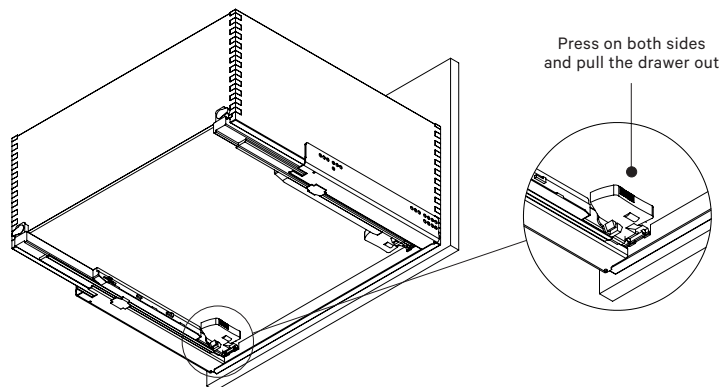
DRAWER POSITIONED IN THE BOTTOM.

FINAL ADJUSTMENTS MOUNTING / UNMOUNTING

If you'd like more in-depth information on adjustments, we recommend visiting the wooden drawer manufacturer, Blum: <https://www.blum.com/us/en/products/runnersystems/movento/assembly/>



IT'S TIME TO MOUNT YOUR DRAWER ONTO THE RUNNER. FOLLOW THE INSTRUCTIONS ABOVE.

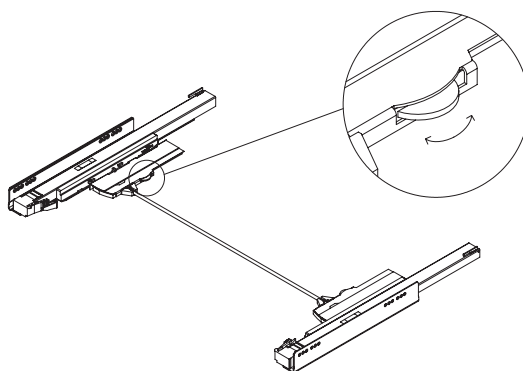
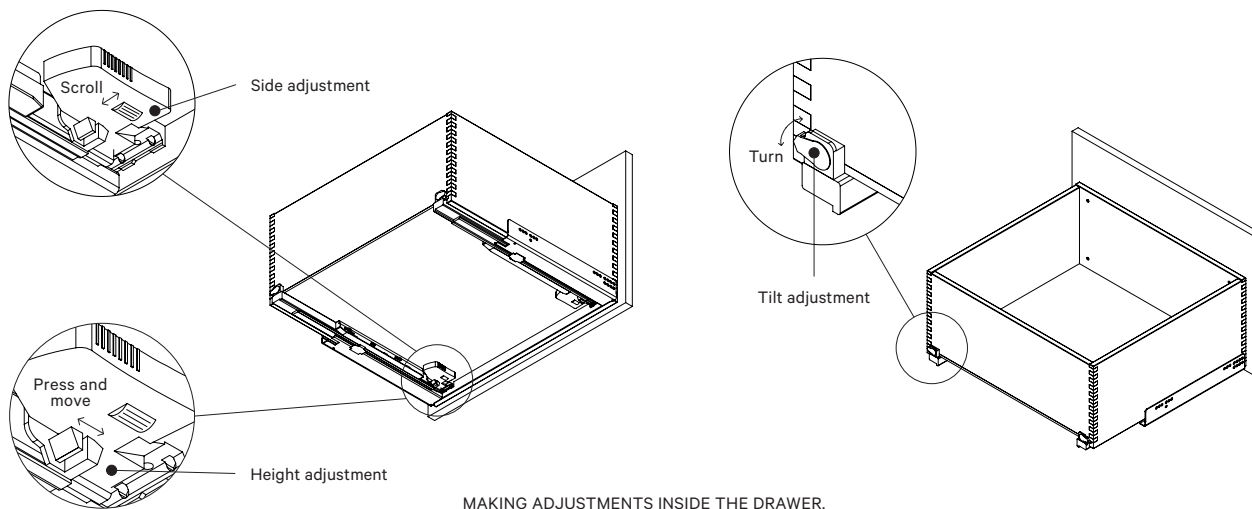


IN CASE YOU NEED TO UNMOUNT THE DRAWER: WITH THE DRAWER FULLY EXTENDED, REACH UNDER THE DRAWER AND SQUEEZE THE RELEASE LEVELERS FOR THE LOCKING DEVICES. THEN PULL THE DRAWER OUT.

FINAL ADJUSTMENTS DRAWER ADJUSTMENT / TIP-ON BLUMOTION

In case you need to make adjustments to your drawer position, follow the instructions below.

If you'd like more in-depth information on adjustments, we recommend visiting the wooden drawer manufacturer Blum: <https://www.blum.com/us/en/products/runnersystems/movento/assembly/>



MAKING ADJUSTMENTS WITH TIP-ON / BLUMOTION: TIP-ON / BLUMOTION ADJUSTMENT
FROM THE UNIT - DEPTH ADJUSTMENT TOWARDS THE FRONT: +2, -1 MM.