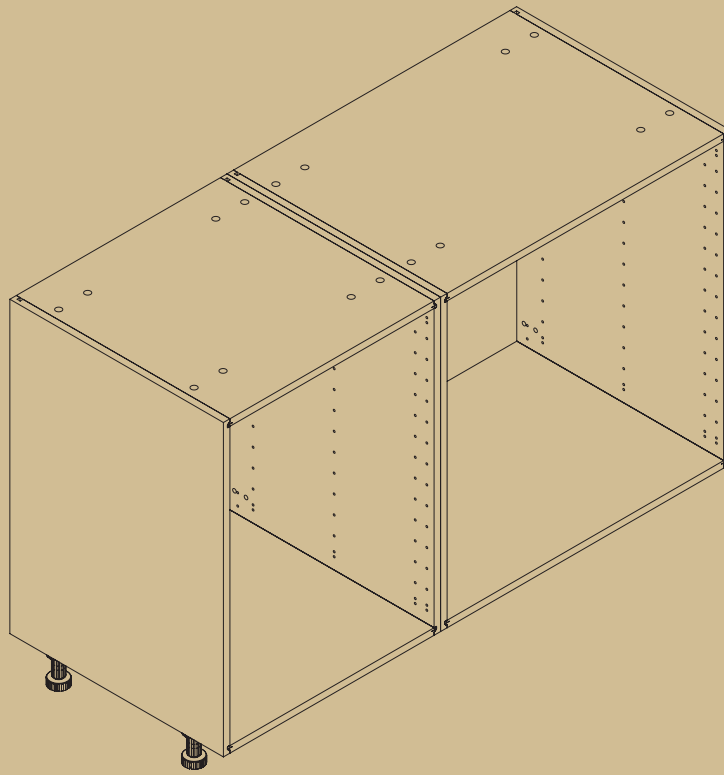


# GENERAL GUIDE KITCHEN ISLAND INSTALLATION





## English

Important information.  
Read carefully. Follow each step of the instruction carefully.  
Keep this information for further reference.

**WARNING**

**Serious or fatal crushing injuries can occur from furniture tip-over. To prevent this furniture from tipping over it must be permanently fixed to the wall with the included wall attachment devices.**

Fastening devices for the wall are not included since different wall materials require different types of fastening devices. Use fastening devices suitable for the walls in your home. For advice on suitable fastening devices, contact your licensed installer.

Safety recommendation:

- Prevent children from climbing or hanging on the drawers, doors or shelves.

## Dansk

Vigtige oplysninger Læs omhyggeligt Følg de enkelte trin i anvisningerne omhyggeligt Gem disse oplysninger til senere brug.

**ADVARSEL!**

**Der kan opstå alvorlig eller livsfarlig tilskadekomst, hvis møblet vælter. For at undgå, at møblet vælter, skal det fastgøres permanent til væggen med de medfølgende vægbeslag.**

Forskellige vægmateriale kræver forskellige skruer og rawplugs. Medfølger ikke. Brug skruer og rawplugs, der passer til væggene i dit hjem. Hvis du er i tvivl om, hvilken type skruer/rawplugs du skal bruge, skal du kontakte et byggemarked.

## Deutsch

Wichtige Informationen.  
Lesen Sie die Anleitung sorgfältig. Befolgen Sie jeden Schritt der Anleitung sorgfältig. Bewahren Sie diese Information auf.

**ACHTUNG**

**Wenn Möbelstücke umkippen, können sie ernsthafte und im schlimmsten Fall lebensgefährliche Verletzungen verursachen. Um zu verhindern, dass dieses Möbelstück umkippt, muss es mit der beigelegten Vorrichtung zur Wandbefestigung fest in der Wand verankert werden.**

Beschläge für die Befestigung an der Wand sind nicht enthalten, da sie von der Beschaffenheit der Wand und des Untergrundmaterials abhängig sind. Verwenden Sie Befestigungsbeschläge, die für Ihre Wände im Speziellen geeignet sind. Bei Fragen wenden Sie sich an einen lizenzierten Installateur.

## Français

Information importante.  
Lire attentivement. Suivre soigneusement chacune des étapes de ces instructions. Conserver ces instructions pour une utilisation ultérieure.

**ATTENTION**

**Risque de blessure grave ou mortelle en cas de basculement du meuble. Pour éviter que le meuble ne bascule, il faut le fixer au mur de façon permanente à l'aide des pièces pour fixation incluses.**

Les vis ne sont pas incluses car leur choix dépend du matériau du mur sur lequel est fixé le meuble. Utilisez des vis adaptées au matériau du mur. Pour obtenir des conseils sur les vis à utiliser, adressez-vous à un vendeur spécialisé.

# KITCHEN ISLAND INSTALLATION

We've created this guide to make the installation of your new kitchen island as simple and uncomplicated as possible. In the following pages, you'll find easy-to-follow instructions and accessible information that helps you on your way to completing the most vital space in your home.

For your own safety, please read the contents of the guide thoroughly and attentively before you start installing your kitchen island. As a general rule, it's important that you lift according to safe lifting guidelines; make sure that children are not around your workspace; that you're aware of water and power lines when you're drilling into walls; and that you read all safety guidelines for the tools that you plan on using during the mounting and installation process.

Please note: A kitchen installation should be carried out by qualified individuals. For optimal results and a clean finish, we recommend hiring skilled professionals.

## TOOLS AND EQUIPMENT YOU MIGHT NEED



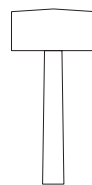
PENCIL



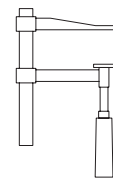
SIDE CUTTER



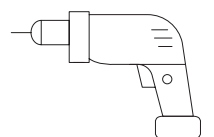
SPIRIT LEVEL



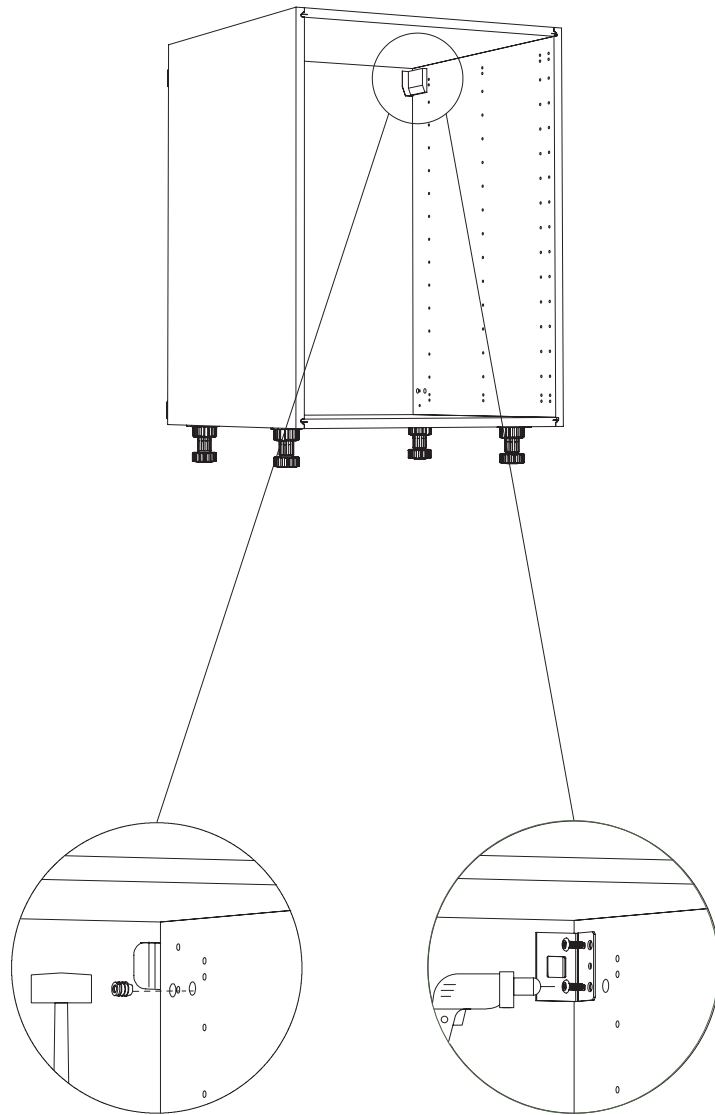
RUBBER HAMMER



CLAMPS

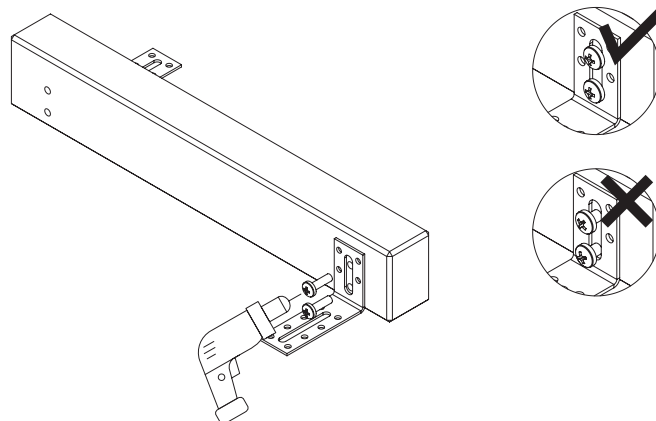


ELECTRIC SCREWDRIVER



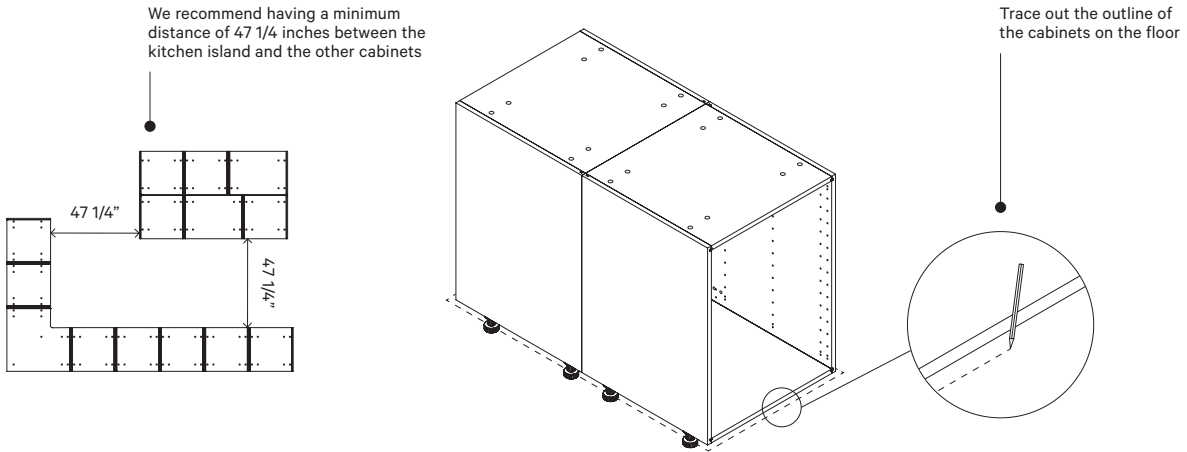
1

ATTACH THE ANGLE BRACKET IN THE UPPER CORNERS.



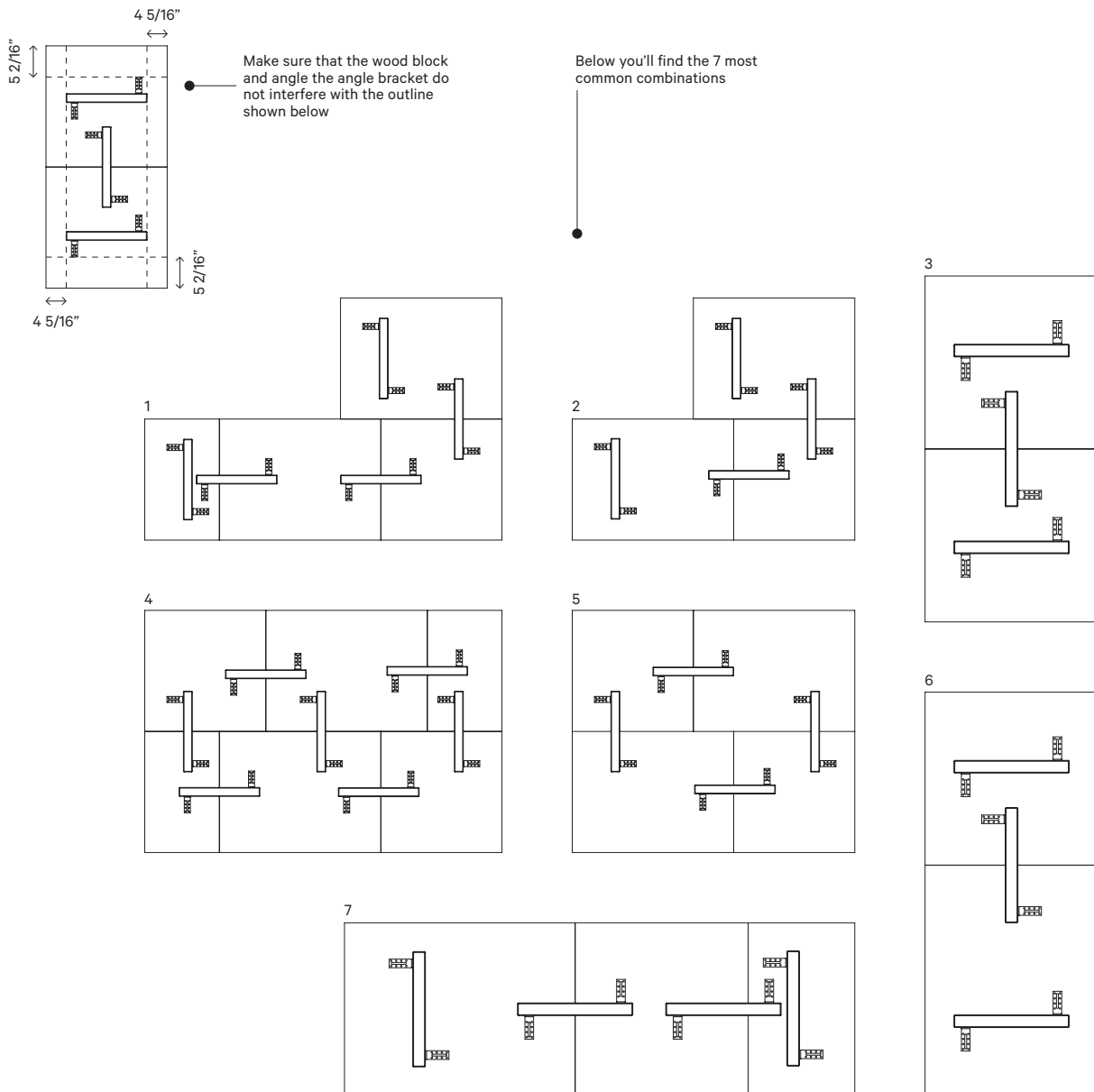
2

FASTEN THE FLOOR ANGLE BRACKETS TO THE WOOD PIECE. DO NOT TIGHTEN THE SCREWS YET.  
THE ANGLE SHOULD BE FREE TO ADJUST.



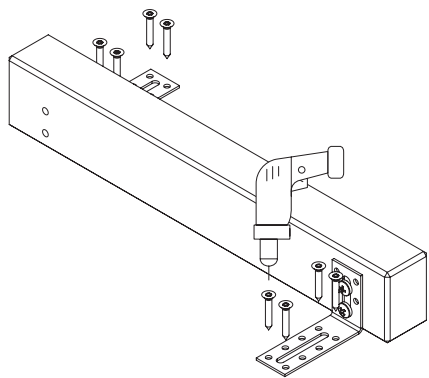
3

PLACE THE CABINETS IN THE CORRECT / FINAL SPOT ON THE FLOOR.

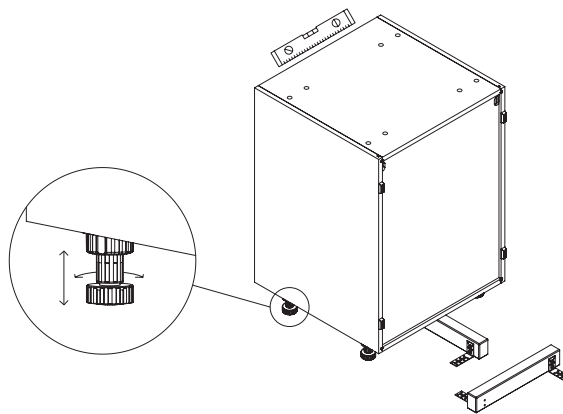


4

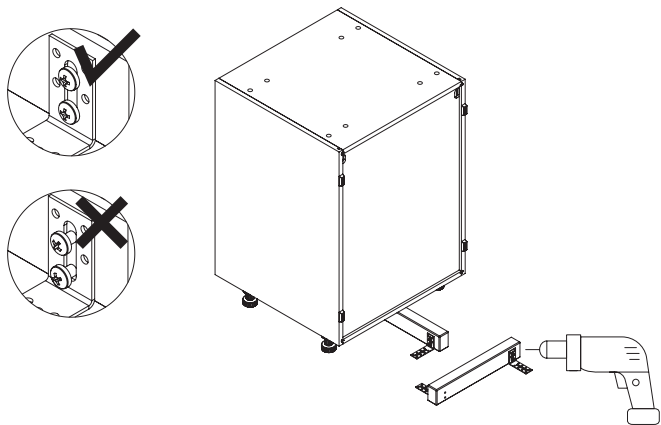
MOVE AWAY THE CABINETS AND PLACE THE WOOD BLOCKS ACCORDING TO THE DRAWING LAYOUTS SHOWN ABOVE.



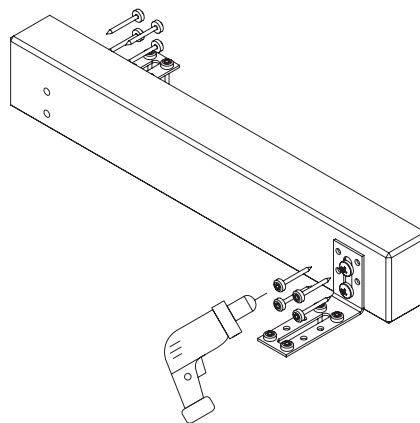
5  
FASTEN THE WOOD BLOCKS TO THE FLOOR.



6  
REPOSITION THE CABINETS AND ADJUST THE FEET TO THE DESIRED AND FINAL HEIGHT.

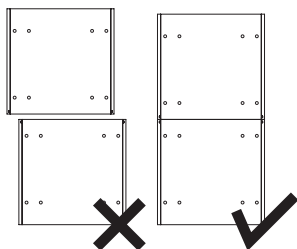


7  
ADJUST THE WOOD BLOCKS, SO THEY ARE FLUSH WITH THE BOTTOM OF THE CABINET.  
DRILL THE LOOSE SCREWS FROM STEP 2 INTO PLACE

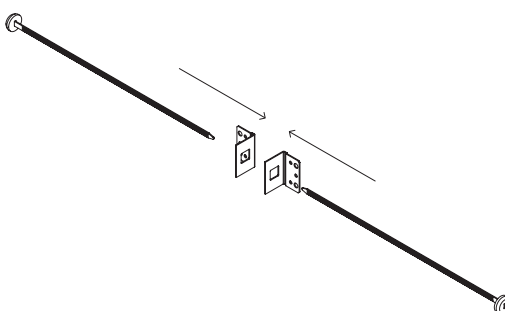


8  
DRILL 4 WOOD SCREWS INTO EACH SIDE OF THE ANGLE BRACKETS TO HOLD IT IN PLACE.

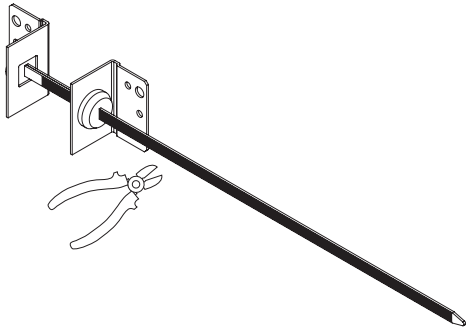
Make sure that the cabinets are aligned properly without any gaps between the cabinets



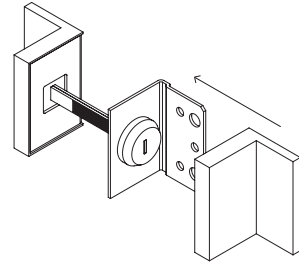
Make sure to align the cable ties, so they lay flat against each other. Tighten the cable ties as much as possible



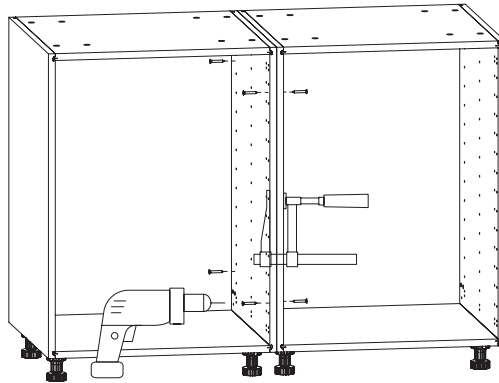
9  
FASTEN THE CABINETS TO EACH OTHER BY FIXING THE TWO ZIP TIES THROUGH THE SQUARE HOLE IN THE ANGLE BRACKETS, WHICH ARE PLACED IN EACH UPPER CORNER OF THE CABINET.



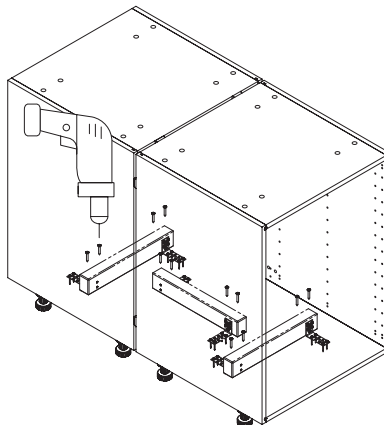
10  
AFTER TIGHTENING THE CABLE TIES AS MUCH AS POSSIBLE,  
CUT AWAY THE EXCESS CABLE TIE.



11  
SLIDE ON THE ANGLE BRACKET COVER.



12  
FASTEN THE SIDES OF THE CABINETS TOGETHER.



13  
FASTEN THE WOOD BLOCKS TO THE BOTTOM OF THE CABINET BY DRILLING PILOT HOLES AND SUBSEQUENTLY FASTENING THE SCREWS FROM THE TOP.