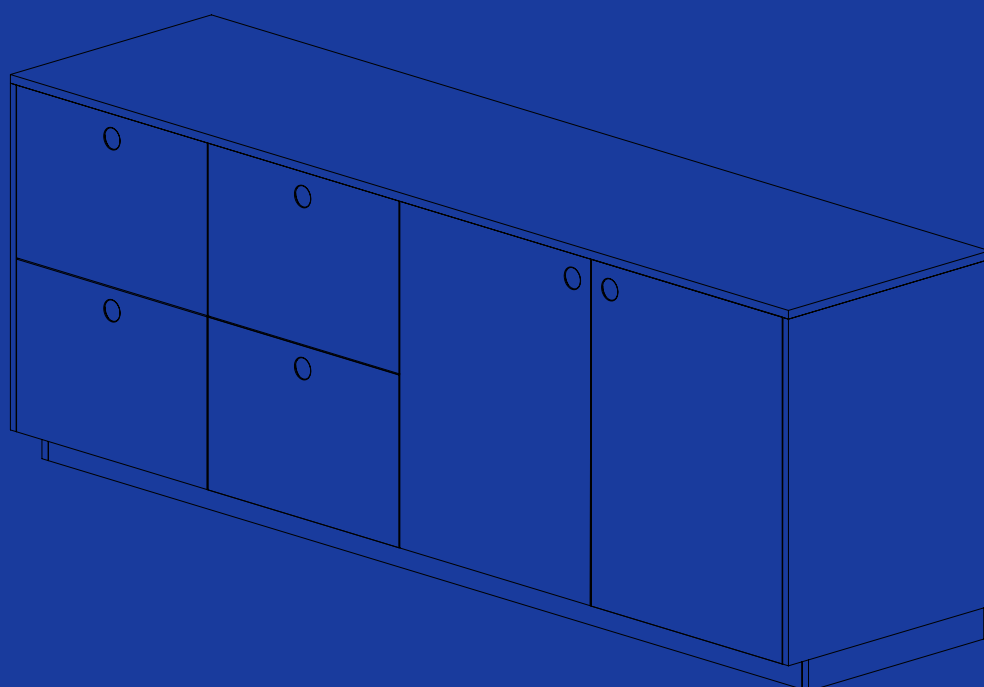


GENERAL GUIDE KITCHEN INSTALLATION



**English**

Important information.
Read carefully. Follow each step of the instruction carefully.
Keep this information for further reference.

WARNING

Serious or fatal crushing injuries can occur from furniture tip-over. To prevent this furniture from tipping over it must be permanently fixed to the wall with the included wall attachment devices.

Fastening devices for the wall are not included since different wall materials require different types of fastening devices. Use fastening devices suitable for the walls in your home. For advice on suitable fastening devices, contact your licensed installer.

Safety recommendation:

- Prevent children from climbing or hanging on the drawers, doors or shelves.

Dansk

Vigtige oplysninger Læs omhyggeligt Følg de enkelte trin i anvisningerne omhyggeligt Gem disse oplysninger til senere brug.

ADVARSEL!

Der kan opstå alvorlig eller livsfarlig tilskadekomst, hvis møblet vælter. For at undgå, at møblet vælter, skal det fastgøres permanent til væggen med de medfølgende vægbeslag.

Forskellige vægmateriale kræver forskellige skruer og rawplugs. Medfølger ikke. Brug skruer og rawplugs, der passer til væggene i dit hjem. Hvis du er i tvivl om, hvilken type skruer/rawplugs du skal bruge, skal du kontakte et byggemarked.

Deutsch

Wichtige Informationen.
Lesen Sie die Anleitung sorgfältig. Befolgen Sie jeden Schritt der Anleitung sorgfältig. Bewahren Sie diese Information auf.

ACHTUNG

Wenn Möbelstücke umkippen, können sie ernsthafte und im schlimmsten Fall lebensgefährliche Verletzungen verursachen. Um zu verhindern, dass dieses Möbelstück umkippt, muss es mit der beigelegten Vorrichtung zur Wandbefestigung fest in der Wand verankert werden.

Beschläge für die Befestigung an der Wand sind nicht enthalten, da sie von der Beschaffenheit der Wand und des Untergrundmaterials abhängig sind. Verwenden Sie Befestigungsbeschläge, die für Ihre Wände im Speziellen geeignet sind. Bei Fragen wenden Sie sich an einen lizenzierten Installateur.

Français

Information importante.
Lire attentivement. Suivre soigneusement chacune des étapes de ces instructions. Conserver ces instructions pour une utilisation ultérieure.

ATTENTION

Risque de blessure grave ou mortelle en cas de basculement du meuble. Pour éviter que le meuble ne bascule, il faut le fixer au mur de façon permanente à l'aide des pièces pour fixation incluses.

Les vis ne sont pas incluses car leur choix dépend du matériau du mur sur lequel est fixé le meuble. Utilisez des vis adaptées au matériau du mur. Pour obtenir des conseils sur les vis à utiliser, adressez-vous à un vendeur spécialisé.

INTRODUCTION

We've created this guide to make the installation of your new Reform kitchen as simple and hassle-free as possible. In the following pages, you'll find useful tips, necessary prerequisites and general, easy-to-follow information that helps you on your way to complete the most vital space in your home.

For your own safety, please read all of the installation guide thoroughly and attentively before you start installing your kitchen. As a general rule, it's also important that you lift according to safe lifting guidelines, make sure that children are not around your workspace, that you're aware of water and power lines when you're drilling into walls, and that you read all safety guidelines for the tools that you plan on using during the mounting and installation process.

Please note:

A kitchen installation should be carried out by qualified individuals. For optimal results and a clean finish, we recommend skilled professionals.

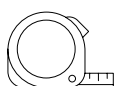
TOOLS AND EQUIPMENT YOU MIGHT NEED



PENCIL



ADHESIVE TAPE



MEASURING TAPE



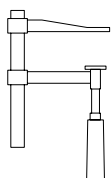
SHIMS



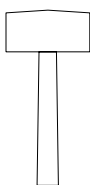
SCREWDRIVER



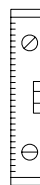
SOCKET WRENCH



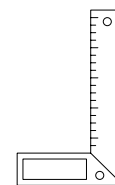
G CLAMPS



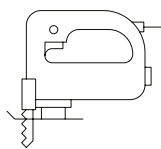
RUBBER HAMMER



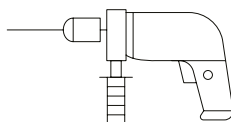
SPIRIT LEVEL



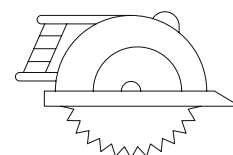
TRY SQUARE



JIGSAW



ELECTRIC SCREWDRIVER/DRILL



CIRCULAR SAW

INDEX

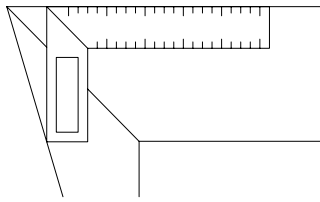
5	PREPARING THE SPACE
6	MOUNTING THE SUSPENSION RAILS OR THE ANGLE BRACKETS
9	INSTALLING THE WALL CABINETS
10	INSTALLING THE BASE CABINETS
13	INSTALLING THE FILLER PIECES
15	INSTALLING THE COUNTERTOP, APPLIANCES, LIGHTING, SINK, AND KITCHEN ISLAND
18	INSTALLING THE COVER PANELS
20	INSTALLING THE TOE KICK/PLINTH
22	INSTALLING THE DOORS, DRAWERS, SHELVES AND HANDLES

PREPARING THE SPACE

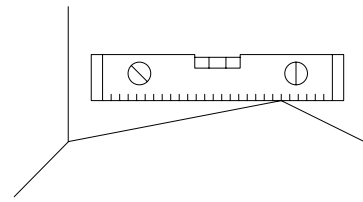
It's time to prepare your space for the installation. Start out by making sure that your floors are adequately built for accommodating your new kitchen. At this stage, we also recommend that you change your flooring (if necessary), prime and paint your walls, and put tiles on the walls and floors. Also, please refer the measurements on page 6: 'Mounting the suspension rails or the angle brackets.'

Draw up the positions for the cabinets

Draw an outline of the kitchen onto your wall. Make sure that everything is aligned with the measurements from your plan and that the water, gas, ventilation and electricity outlets are in the right locations. Adding to that, you'll need to mark the position indicating where you want to mount the suspension rails or angle brackets for the kitchen.



USE A TRY SQUARE TO CHECK THE WALLS AND CORNERS FOR IRREGULARITIES AND UNEVEN PARTS

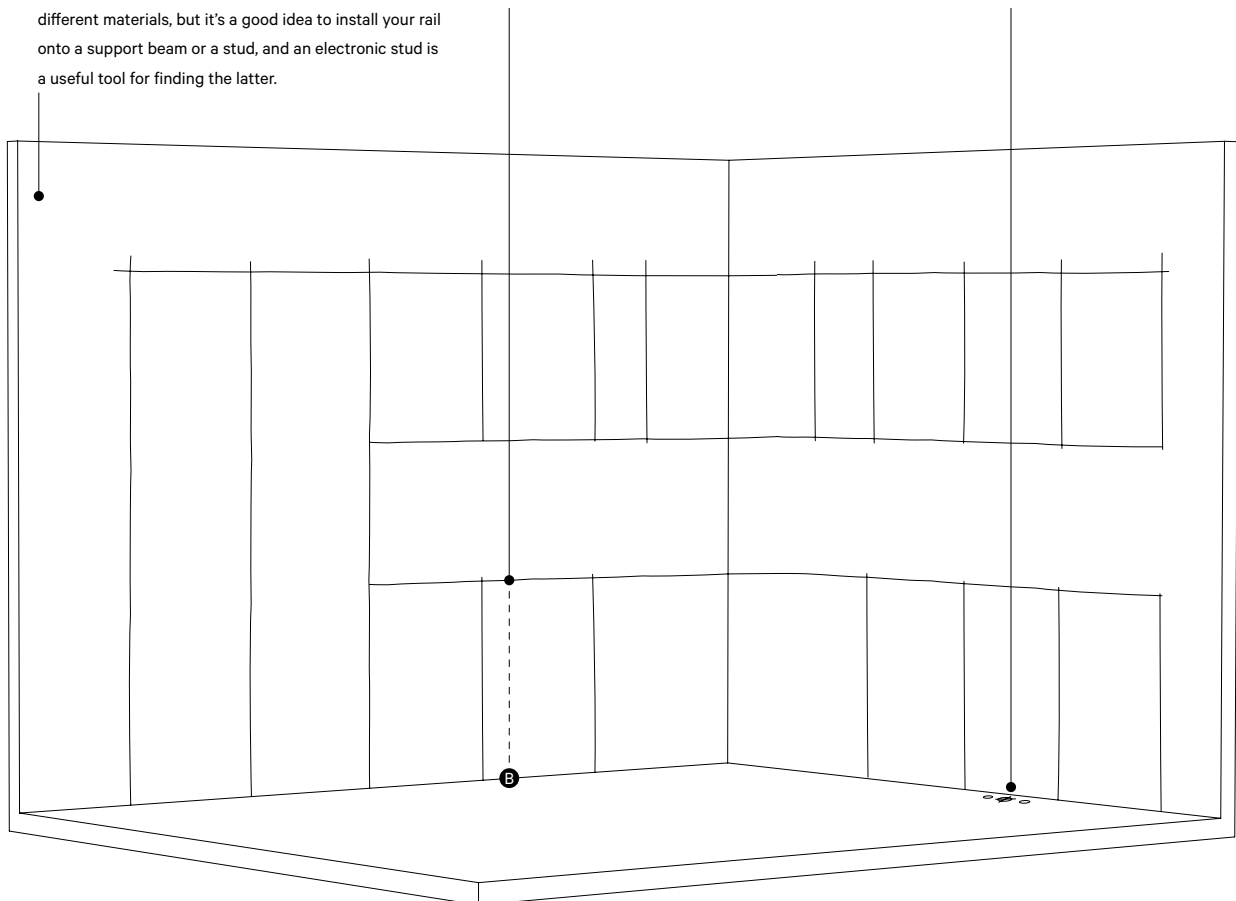


MAKE A NOTE OF THE HIGHEST POINT OF THE FLOOR (B) WITH A SPIRIT LEVEL

It's important that the wall is sturdy enough to support the weight of the suspension rail and cabinets. Walls have different materials, but it's a good idea to install your rail onto a support beam or a stud, and an electronic stud is a useful tool for finding the latter.

Leave 88 cm between the highest point of the floor and the top of the base cabinets.

Double check that the plumbing is placed in the right location for the sink.



A THE UNDERSIDE OF THE SUSPENSION RAIL

B THE HIGHEST POINT OF THE FLOOR

MOUNTING THE SUSPENSION RAILS OR THE ANGLE BRACKETS

There are two ways to install your cabinets:

- 1) With suspension rails and hanging brackets.
- 2) Using angle brackets to secure them directly onto the wall.

We recommend using angle brackets for the base cabinets, and hanging brackets for all other cabinets.

NB! Please read this entire chapter carefully before you begin the mounting process.

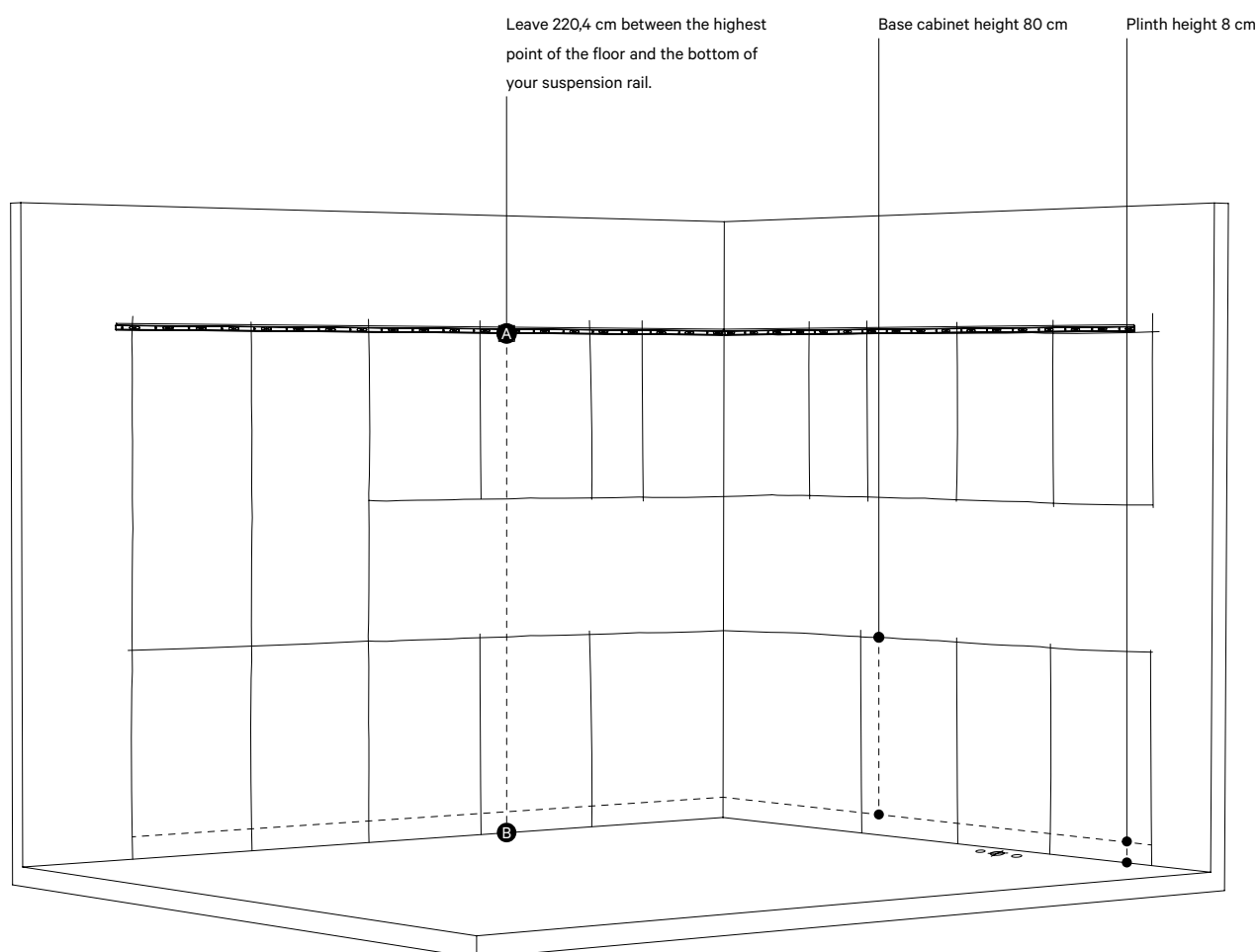
1) Measurements for mounting the rails at the right height

The underside of the wall cabinet suspension rail (A) should be 140,4 cm, 200,4 cm, 220,4 cm or 240,4 cm depending on whether your kitchen is 148 cm, 208 cm, 228 cm or 248 cm high. Measure the distance from the highest point to your floor (B). If you've also decided to mount base cabinets with hanging brackets, the height between A and B is 80,4 cm.

2) Measurements for mounting angle brackets at the right height

When you're mounting the base cabinets, the top of the cabinet in relation to the highest point of the floor (B) is 88 cm. When you're mounting the wall cabinets, the distance between the top of the cabinet to B should be 148 cm, 208 cm, 228 cm or 248 cm high. These measurements are equal to the chosen kitchen height. For instructions on marking the drilling placement for angle brackets, see page 8.

Height of example kitchen: 228 cm

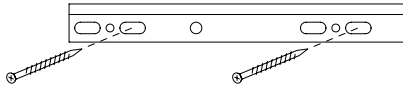


A THE UNDERSIDE OF THE SUSPENSION RAIL

B THE HIGHEST POINT OF THE FLOOR

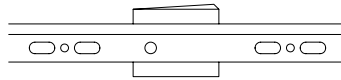
1) Installing suspension rails and hanging brackets

Your cabinets can be mounted straight onto a suspension rail with the hanging bracket, which makes the installation, as well as the subsequent adjustment process of the cabinets, easy and simple. Remember to make sure that the suspension rail is level - and to drill it into a secure position using the right type of screw that applies to your wall material. You can make the cabinets level by adjusting the hanging brackets.



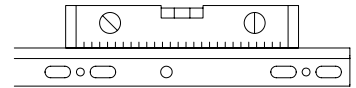
1

START OUT BY SECURING THE RAILS. IT'S IMPORTANT THAT YOU'VE FOUND THE APPROPRIATE POINTS IN THE WALL WHERE THE RAILS CAN BE SECURED. BEFORE YOU START DRILLING, MAKE CERTAIN THAT THE RAILS ARE IN A LEVEL POSITION.



2

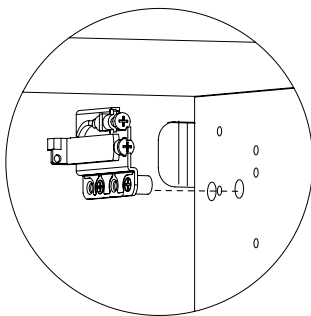
USE DISTANCE PIECES/SHIMS BETWEEN THE WALL AND THE RAIL TO ENSURE THE STRAIGHT POSITION OF THE RAIL.



3

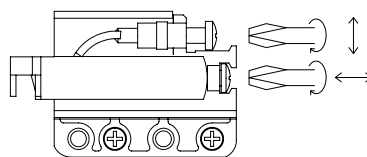
IT'S IMPORTANT THAT ALL RAILS ARE LEVEL. USE A SPIRIT LEVEL TO CHECK EACH RAIL FOR IRREGULARITY.

This section contains detailed instructions on how to mount your hanging brackets. Remember to come back to this information when you're installing the cabinets.



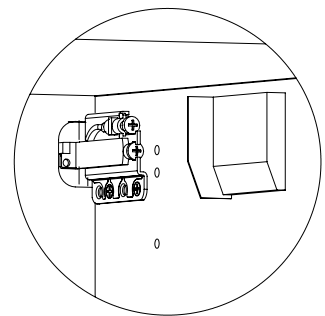
4

HAMMER THE HANGING BRACKET ONTO THE SIDE OF THE CABINET.



5

YOU CAN NOW ADJUST IT 2,2 CM VERTICALLY AND 1,9 CM HORIZONTALLY.

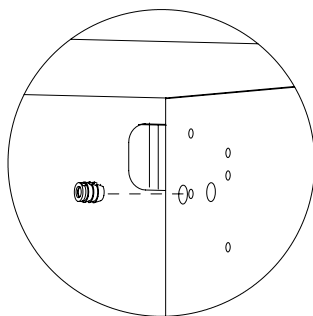


6

SLIDE ON THE COVER CAP.

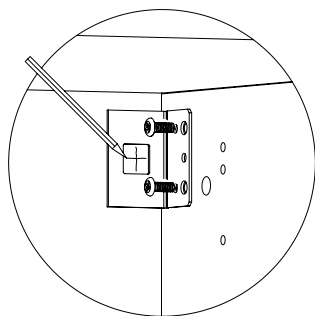
2) Installing angle brackets

When you install angle brackets, you don't need rails. It's important that the drilled holes are implemented accurately, and that your locations are level. Before you begin drilling, check what kind of material your wall is made of, and how your drill applies to this material. This applies to your screws as well.



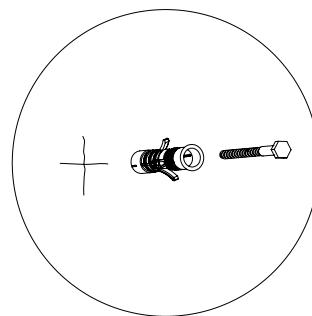
1

INSERT THE PLASTIC PIN INTO THE BIGGER HOLE ON THE BACKSIDE. THIS IS TO AVOID BREAKING BETWEEN TWO HOLES, WHICH ARE CLOSE TO EACH OTHER.



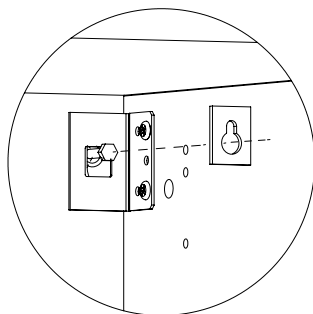
2

SCREW THE ANGLE BRACKETS IN THE PRE-DRILLED HOLES. MARK THE PLACEMENT OF THE DRILLING ON THE WALL THROUGH THE ANGLE BRACKET.



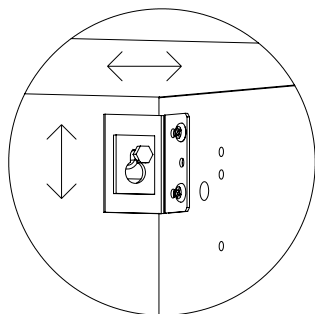
3

DRILL A HOLE INTO THE PREVIOUSLY MARKED POINT. INSERT THE RAW PLUG AND THE SCREW.



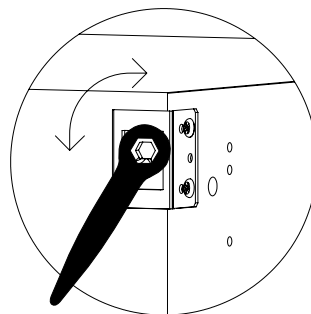
4

ADD FASTENING DEVICE.



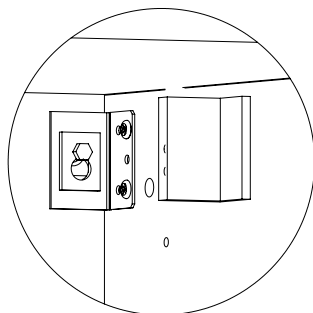
5

ADJUST THE PLACEMENT OF THE CABINET BY ADJUSTING THE FASTENING DEVICE.



6

FIX THE PLACEMENT OF THE CABINET BY FASTENING SCREW WITH WRENCH.



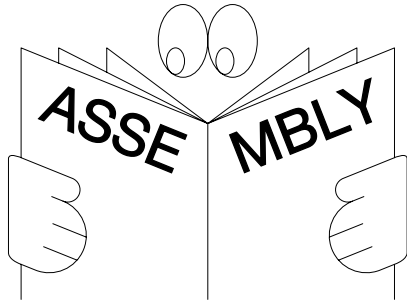
7

PLACE THE COVER CAP.

INSTALLING THE WALL CABINETS

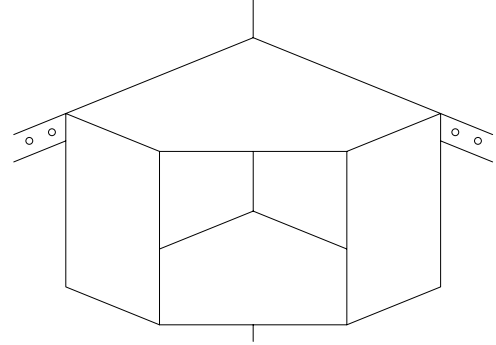
Generally speaking, the best way to go about installing kitchens is to start with the wall cabinets because it means you'll have the required room to maneuver without base cabinets obstructing the process.

Prior to the installation of the cabinets, mark down the ventilation, and electricity.



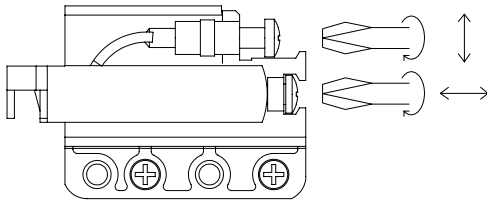
1

ASSEMBLE THE WALL CABINETS ACCORDING TO THE INSTRUCTIONS OUTLINED IN THE ASSEMBLY GUIDE. AT THIS STAGE, YOU SHOULD WAIT UNTIL LATER BEFORE YOU MAKE INTERNAL FITTINGS, AND PLACE THE DOORS.



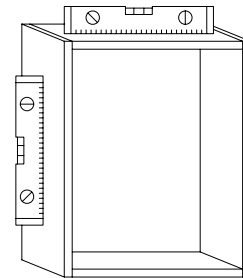
2

IF YOUR PROJECT INCLUDES A CORNER CABINET, MAKE SURE TO HANG IT FIRST. MAKE SURE THAT YOUR SURFACES ARE LEVEL.



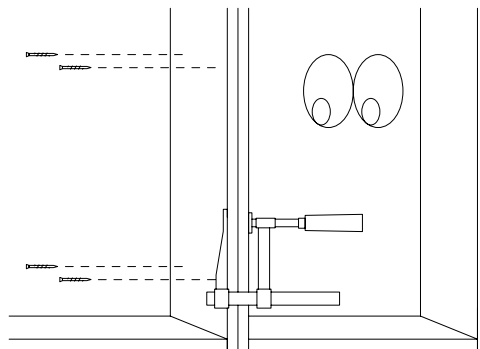
3

YOU CAN ADJUST THE CABINET BY ADJUSTING THE HANGING BRACKET. FOR MORE INFORMATION, SEE PAGE 7.



4

CHECK THAT YOUR CABINET IS IN LEVEL BY CHECKING ALL THE SIDES USING A SPIRIT LEVEL. HAVING A LEVEL ALIGNMENT IS CRUCIAL, SO MAKE SURE THAT YOU USE A QUALITY LEVEL. REPEAT THIS STEP AFTER YOU'VE CONNECTED THE CABINETS.

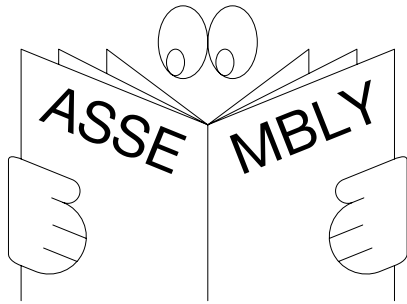


5

NOW YOU CAN HANG THE OTHER CABINETS AND CONNECT THEM FROM THE SIDES. DO THIS ONE BY ONE AS THEY ARE MOUNTED. PLEASE BE AWARE THAT YOU SHOULDN'T USE THE PRE-DRILLED HOLES. ALSO, DON'T TIGHTEN THE SCREWS UNTIL THE CABINETS ARE IN THE RIGHT PLACE, AND YOU'RE SURE THAT THE ALIGNMENT IS LEVEL.

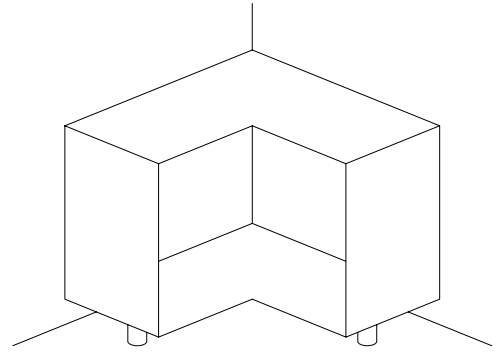
INSTALLING THE BASE CABINETS

Before you begin installing the base cabinets, mark down the plumbing, electricity and similar elements. Remember that you can use a jigsaw to make your own openings where this is necessary, and you should do that before securing the cabinets in their place. Be mindful of the fact that the location of your openings can have an effect on how you can place drawers in your cabinet.



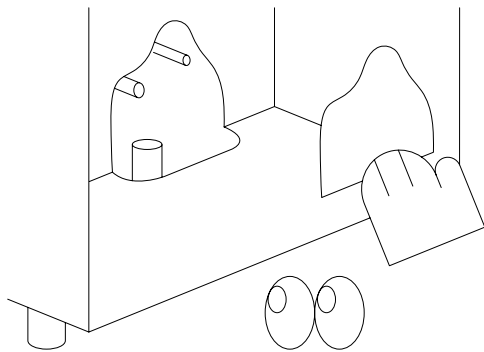
1

ASSEMBLE THE BASE CABINETS ACCORDING TO THE INSTRUCTIONS OUTLINED IN THE ASSEMBLY GUIDE. IT IS IMPORTANT THAT THE LEGS ARE ATTACHED IN LINE WITH THE ORDER THAT YOUR CABINETS ARE PLACED. FOR CABINETS OF 20 CM AND EVEN 30 CM WIDE, REMEMBER TO ADD ALL DRAWER RAILS OR OTHER INSIDE SOLUTIONS BEFORE ASSEMBLING THE CABINET.



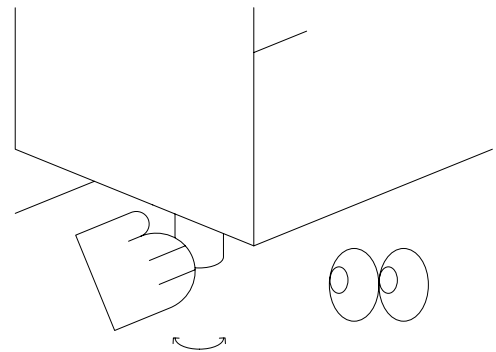
2

START OUT IN THE CORNER BY USING ANGLE BRACKETS. MAKE SURE THAT THE CABINET IS ALIGNED WITH THE WALL CORNER CABINET. THE FOLLOWING CABINETS SHOULD BE FITTED IN THE SAME WAY. THE SHELF OR CORNER CAROUSEL SHOULD NOW BE INSTALLED AS WELL.



3

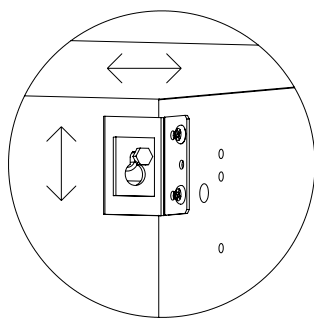
CHECK THAT THE CUTOUT IS DONE THE RIGHT WAY FOR PLUMBING AND ELECTRICAL SOCKETS BEFORE INSTALLING THE CABINETS.



4

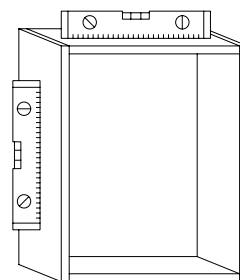
MAKE SURE THAT EACH CABINET IS ALIGNED WITH THE FORMER CABINET BY ADJUSTING THE LEGS.





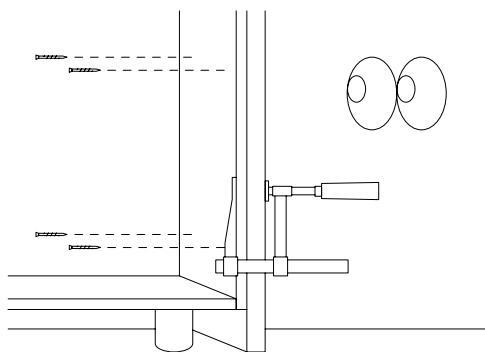
5

ADJUST THE PLACEMENT OF THE CABINETS BY ADJUSTING FASTENING DEVICE. FOR MORE INFORMATION, SEE PAGE 8.



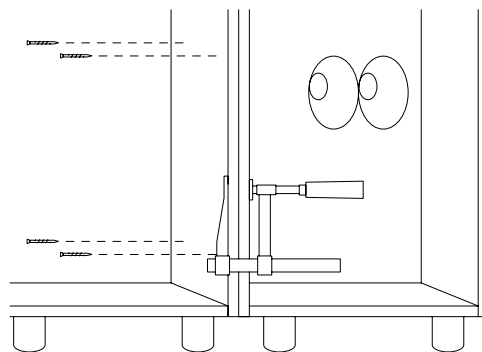
6

CHECK THAT YOUR CABINET IS LEVEL BY CHECKING ALL THE SIDES USING A SPIRIT LEVEL. HAVING A LEVEL ALIGNMENT IS CRUCIAL, SO MAKE SURE THAT YOU USE A QUALITY LEVEL. REPEAT THIS STEP AFTER YOU'VE CONNECTED THE CABINETS.



7

ATTACH THE COVER PANEL FIRST, IF YOU'RE INCLUDING A HIGH CABINET FOR APPLIANCES IN YOUR KITCHEN. WE RECOMMEND USING TWO SCREWS IN DEPTH AND 1 ROW FOR EACH 60 CM IN HEIGHT.

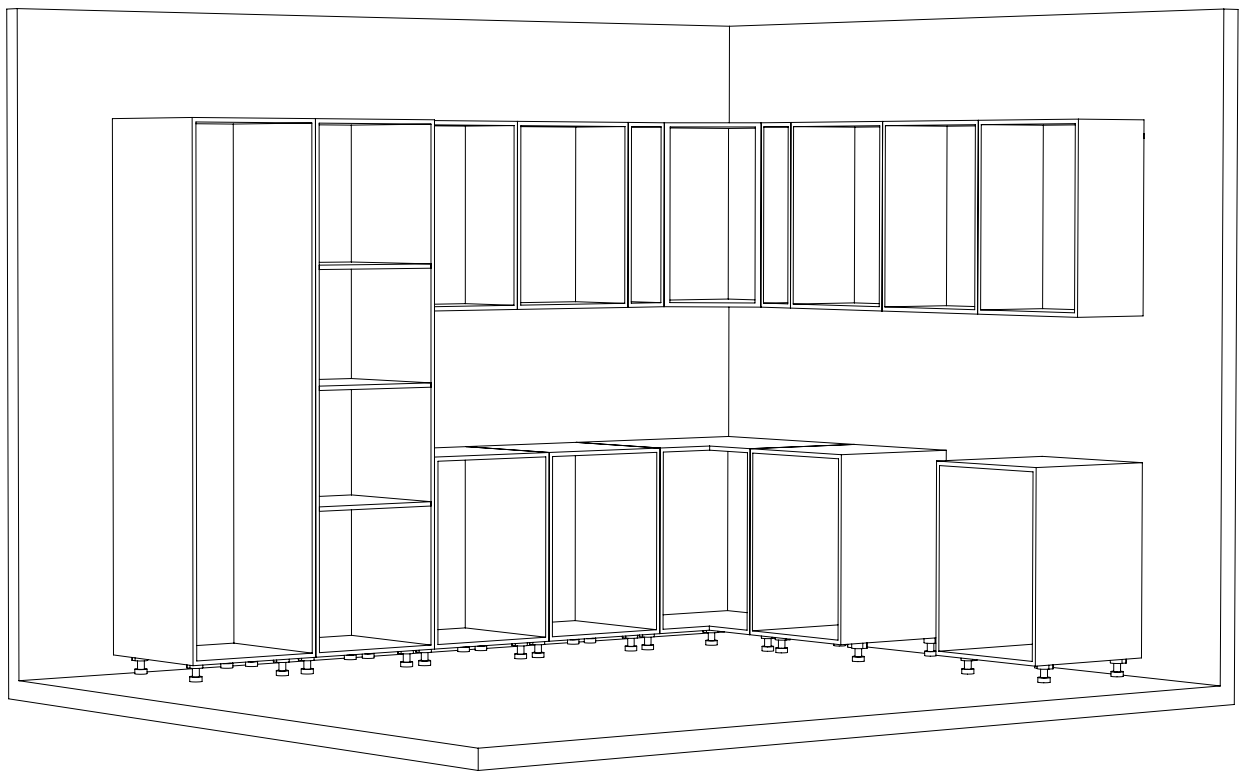


8

NOW YOU CAN PLACE THE OTHER CABINETS AND CONNECT THEM FROM THE SIDES. DO THIS ONE BY ONE AS THEY ARE MOUNTED. PLEASE BE AWARE THAT YOU SHOULDN'T USE THE PRE-DRILLED HOLES. ALSO, DON'T TIGHTEN THE SCREWS UNTIL THE CABINETS ARE IN THE RIGHT PLACE, AND YOU'RE SURE THAT THE ALIGNMENT IS LEVEL.

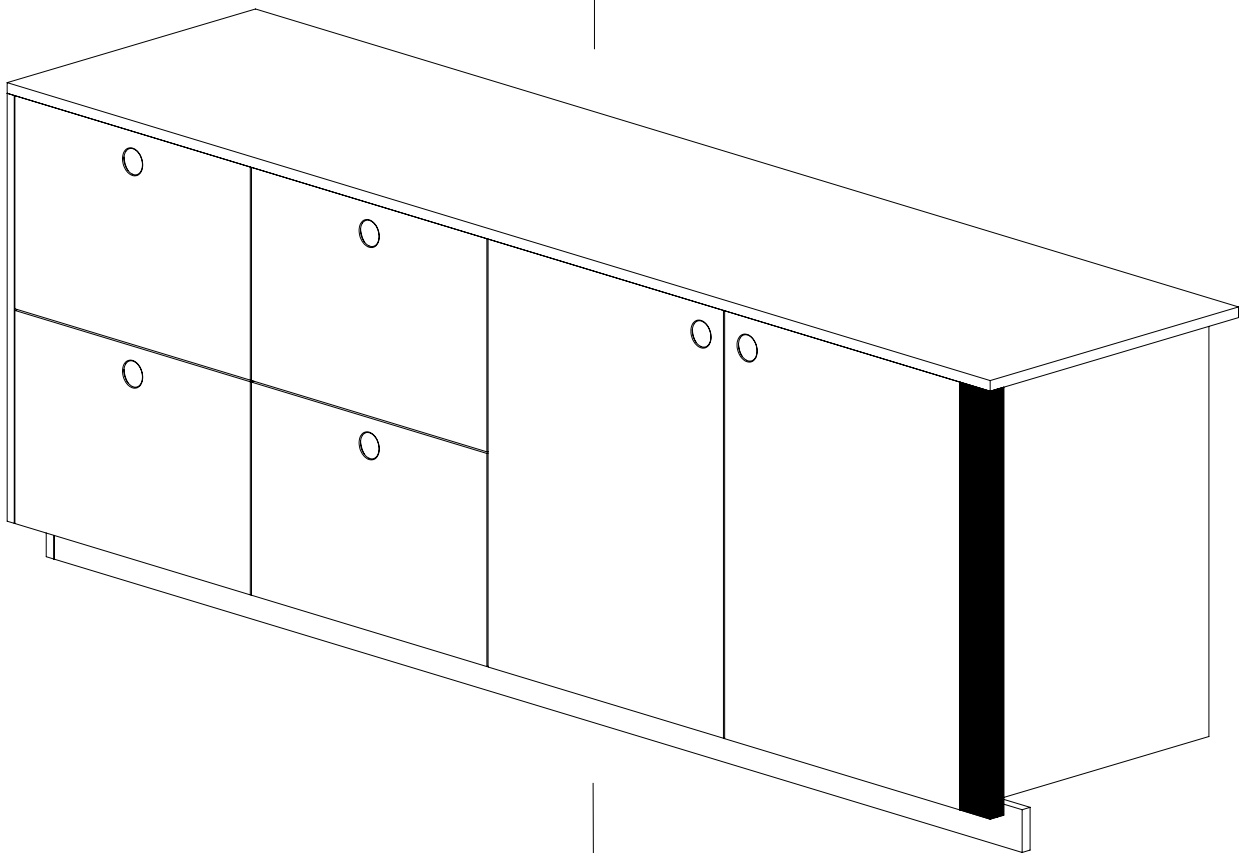
KITCHEN CHECK-UP

This is an example of what your kitchen should look like at this point.
Now it's time to double check if your cabinets are level.



INSTALLING THE FILLER PIECES

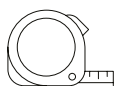
Apply filler pieces between your cabinets and walls for a seamless finish. Use them if your walls are not completely even - and to ensure that you have the required room to open doors and drawers to their full extent. Reform recommends that fillers are installed to align with the front of the cabinet, and they won't flush with door or drawer fronts. Remember to make sure that you leave the required space, and that you don't drill your screws all the way through the kitchen front. Fillers can also be installed flush with the cabinet if this is preferred.



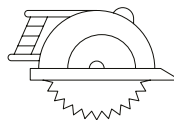
PENCIL



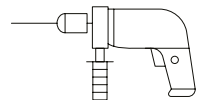
SCREWS



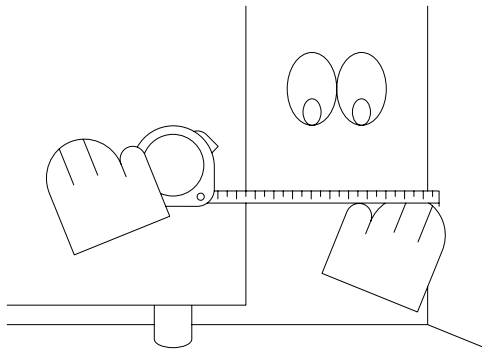
MEASURING TAPE



JIGSAW/CIRCULAR SAW

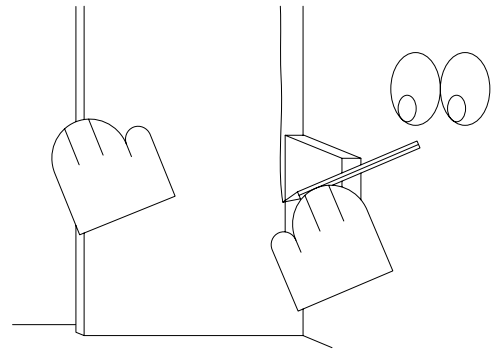


ELECTRIC SCREWDRIVER/DRILL



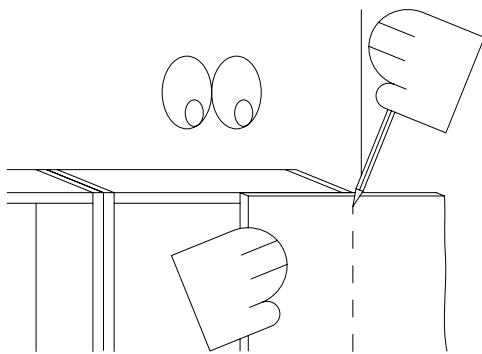
1

START BY MEASURING HOW WIDE YOUR FILLER NEEDS TO BE.



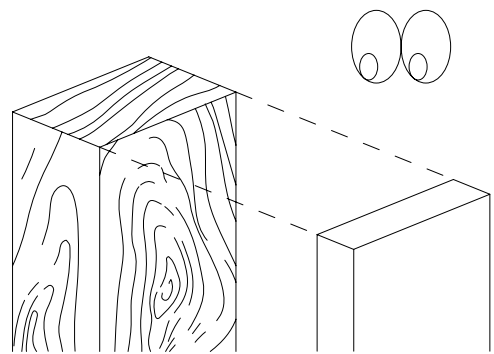
2

CUT THE FILLER PIECE TO FIT WITH THE WALL'S SHAPE IF YOUR WALL ISN'T LEVEL. YOU'LL NEED A SMALL PIECE OF WOOD, MEASURING TAPE, AND A PENCIL. CUT THE FILLER PIECE TO THE SAME HEIGHT AS THE CABINET. POSITION THE EDGE OF THE FILLER PIECE AGAINST THE WALL, AND HOLD THE PIECE OF WOOD AND THE PENCIL AGAINST THE WALL. HOLD THEM PUSHED AGAINST THE WALL WHILE YOU SLIDE THEM DOWN THE FILLER PIECE, TRACING THE SHAPE OF THE WALL ONTO YOUR FILLER PIECE. THEN CUT ALONG YOUR TRACE LINE.



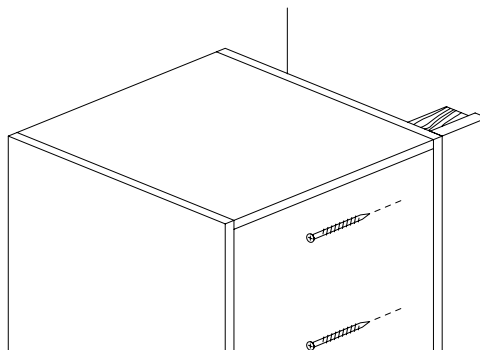
3

TAKE THE EDGE OF THE FILLER PIECE, WHICH YOU'VE JUST CUT, AND PLACE IT ONTO THE WALL. NOW, MARK THE EDGE OF THE CABINET ON THE TOP AS WELL AS THE BOTTOM OF YOUR FILLER PIECE, AND DRAW A STRAIGHT LINE FROM THE POINTS AND CUT INTO SHAPE.



4

EITHER GLUE OR SCREW A SUPPORTING PIECE OF WOOD AND THE FILLER PIECE TOGETHER, DEPENDING ON THE MATERIAL OF THE FILLER PIECE. PLEASE NOTE THAT YOU SHOULD NOT DRILL ALL THE WAY THROUGH THE FRONT.



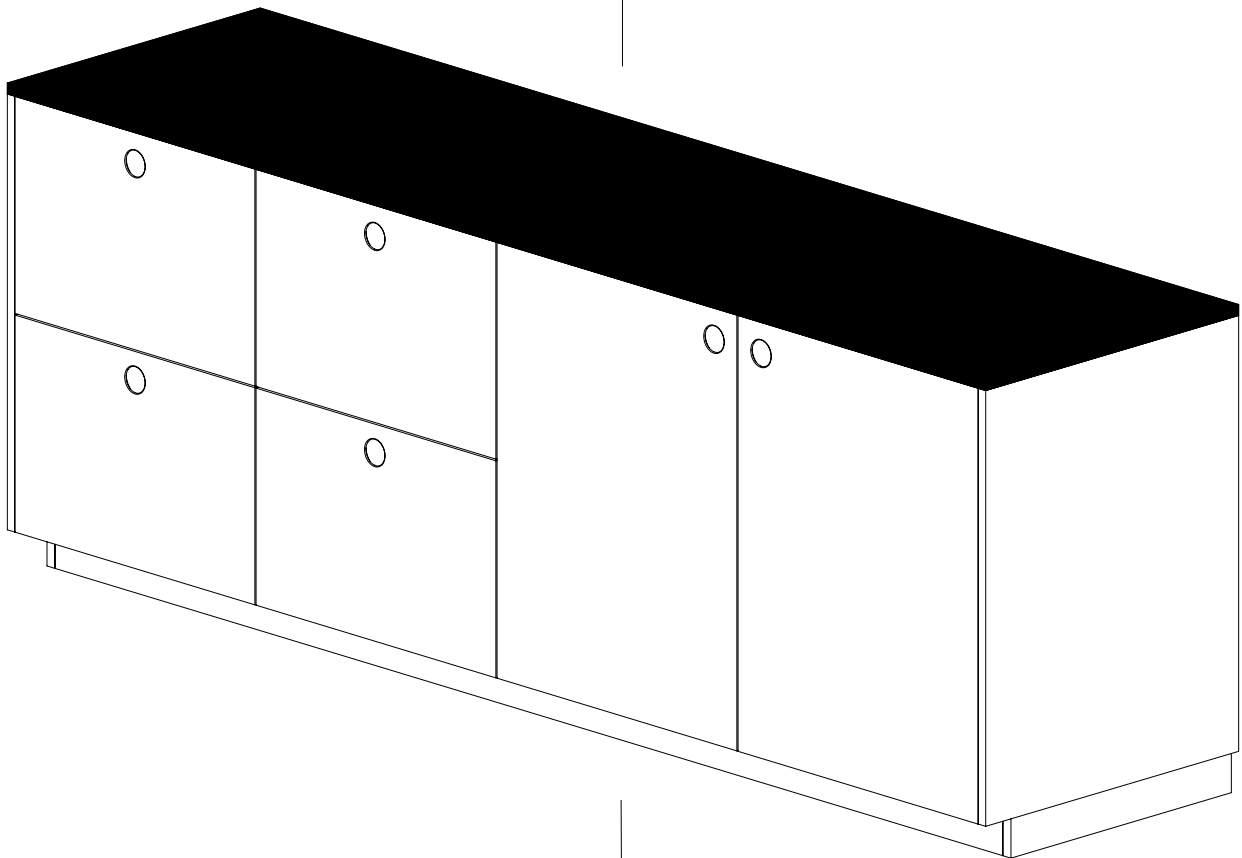
5

FIT THE FILLER WITH THE SUPPORTING PIECE OF WOOD WHERE IT'S REQUIRED. YOU'LL NEED TO PRE-DRILL HOLES FIRST TO AVOID SPLINTERING. THEN DRILL YOUR SCREWS THROUGH THE INSIDE OF THE CABINET FRAME INTO THE SUPPORTING PIECE OF WOOD.

INSTALLING THE COUNTERTOP, APPLIANCES, LIGHTING, SINK, AND KITCHEN ISLAND

It's now time to install your countertop, lighting, sink and appliances. First, it's important you make sure that your countertop is the right size before you place it. At this stage in the process, it's also the time to start customizing if you have specific considerations for a sink or cooktop. We recommend that the cabinets, filler pieces and cover panels are in place before you measure for your countertop. Our sales department can advise on the details. Refer to the countertop assembly guide for detailed instructions. After your water, lighting and appliances are in place, you can move on to fitting your countertop. These elements should be connected by professionals in line with certified safety regulations.

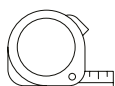
We recommend researching the different tools, and how they apply to your specific project.



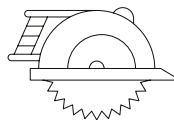
PENCIL



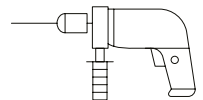
SCREWS



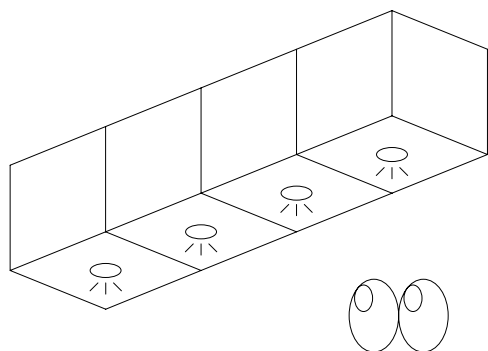
MEASURING TAPE



JIGSAW/CIRCULAR SAW

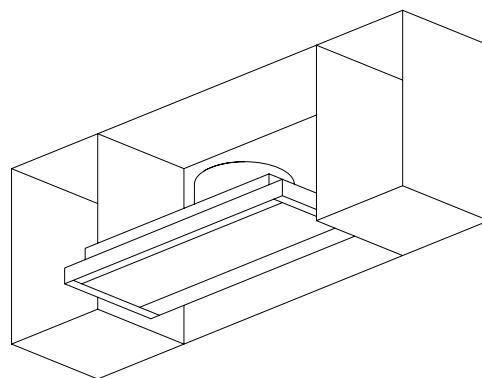


ELECTRIC SCREWDRIVER/DRILL



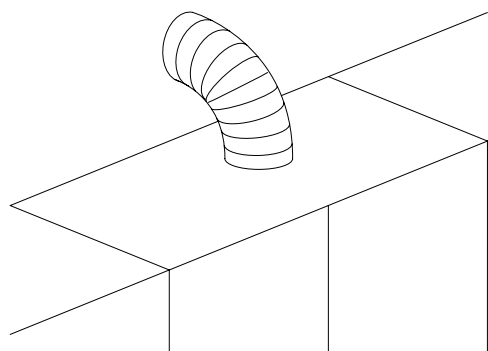
1

APPLIANCES AND LIGHTING SHOULD NOW BE CONNECTED. IN CASE YOU'RE DRILLING HOLES, IT'S A GOOD IDEA TO USE A BLOCK OF WOOD TO COUNTER THE DRILL DURING PENETRATION OF THE SURFACE. THIS PRECAUTION KEEPS YOUR EDGES FROM SPLINTERING.



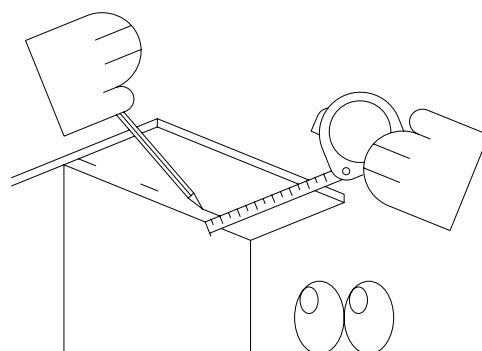
2

NOW IT'S TIME TO INSTALL THE EXTRACTOR HOOD. THERE ARE TWO WAYS TO DO THIS: EITHER USED IN RECIRCULATION MODE FITTED WITH A CHARCOAL FILTER OR DUCTED TO THE OUTSIDE. THE LATTER IS CALLED EXTRACTION. THE TWO OPTIONS ARE DETAILED IN THE ASSEMBLY GUIDE, WHICH IS INCLUDED WITH THE PRODUCT.



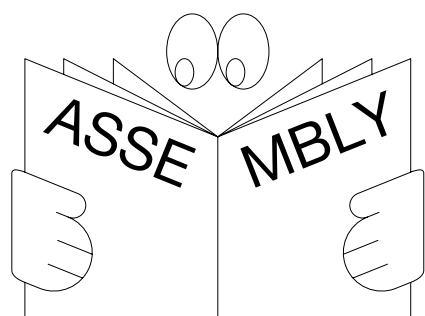
3

AT THIS STAGE, YOU SHOULD CREATE A HOLE WITH YOUR SAW EITHER IN THE TOP OF THE CABINET OR IN THE BACK PANEL. THIS IS RELEVANT FOR BOTH RECIRCULATION AND EXTRACTION. AS ALWAYS, REFER TO THE ASSEMBLY GUIDE FOR DETAILED INSTRUCTIONS. OWING TO SAFETY AND FUNCTIONALITY REQUIREMENTS, YOU SHOULD FOLLOW THE PRECISE MEASUREMENTS IN THE INSTALLATION GUIDE, WHICH IS INCLUDED WITH THE EXTRACTOR HOOD.



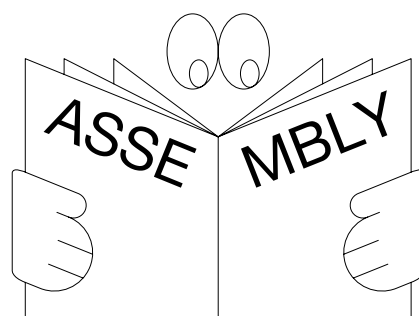
4

DOUBLE-CHECK THE MEASUREMENTS OF THE COUNTERTOP. YOU SHOULD NOW CUT IT INTO THE REQUIRED SIZE. KEEP IT FROM SPLINTERING BY CUTTING WITH THE UNDERSIDE OF THE COUNTERTOP FACING UP WHEN YOU'RE USING A BUZZ OR JIGSAW.



5

FIT YOUR SINK INTO THE COUNTERTOP AND THEN CUSTOMISE YOUR COUNTERTOP FOR THE COOKTOP. REFER TO THE ASSEMBLY GUIDE FOR DETAILED INSTRUCTIONS ON THE SINK AND THE COOKTOP.

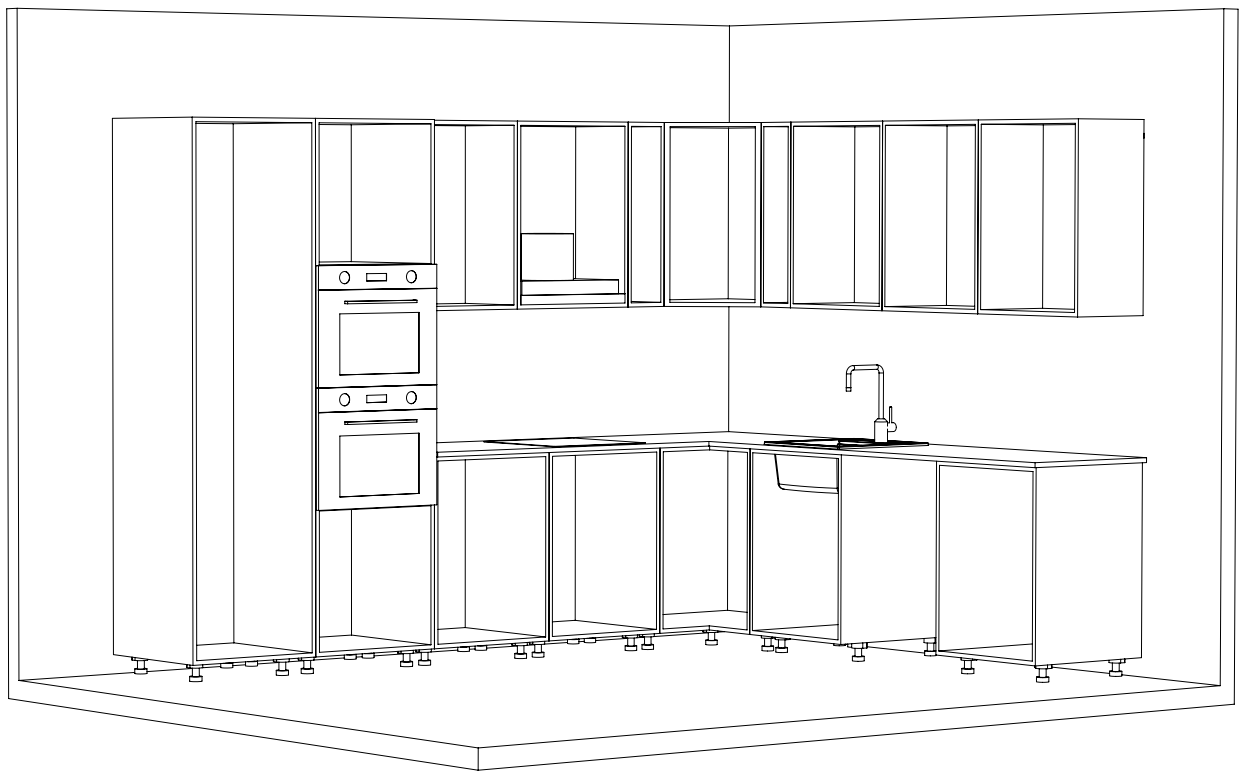


6

IF YOU'RE PLANNING FOR A KITCHEN ISLAND WE HAVE AN ISLAND ASSEMBLY KIT THAT SHOWS YOU HOW TO FASTEN IT FIRMLY TO THE FLOOR. LEGS/PLINTHS MUST THEN BE FITTED AROUND THE OUTSIDE OF THE ISLAND. FOR DETAILED INSTRUCTIONS, REFER TO THE ASSEMBLY GUIDE.

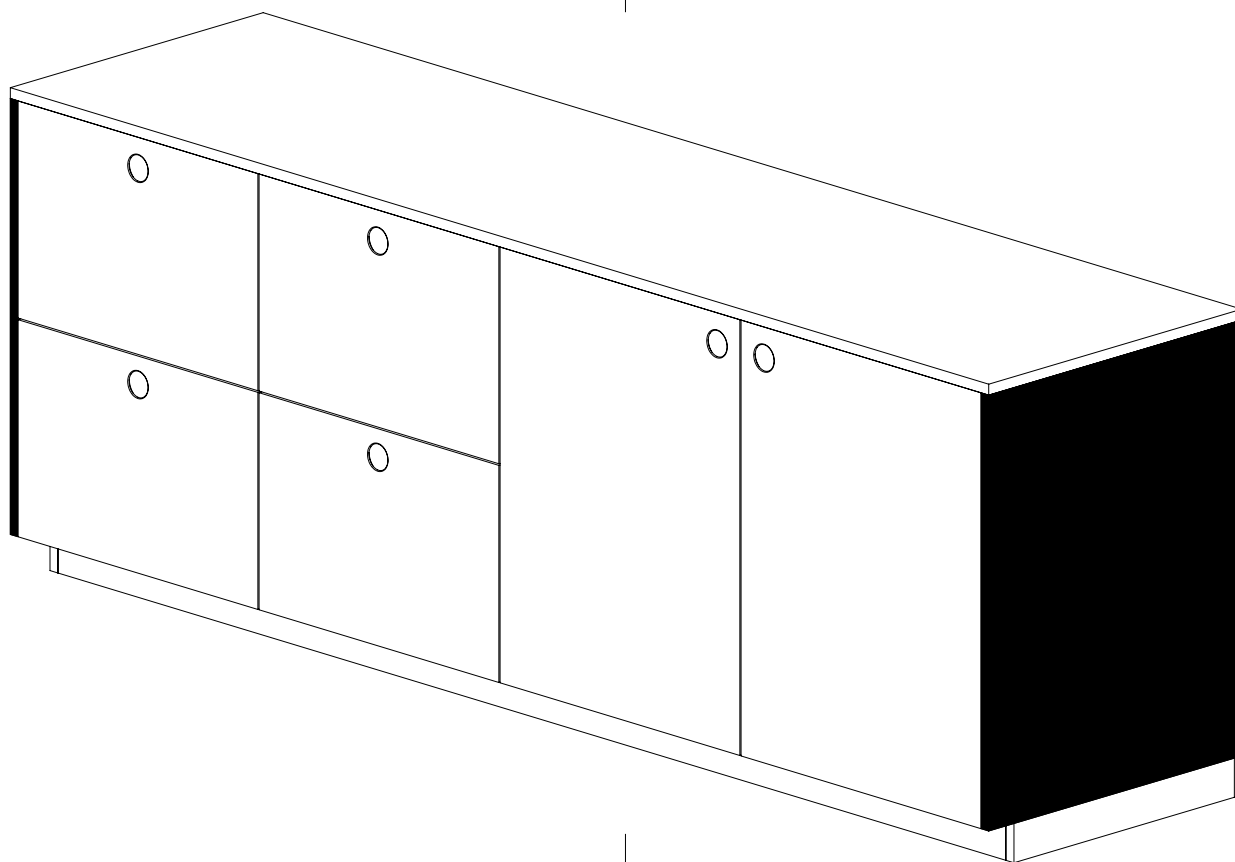
KITCHEN CHECK-UP

This is an example of what your kitchen should look like at this point.



INSTALLING THE COVER PANELS

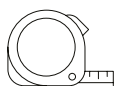
Reform cover panels give the kitchen a polished finish. They come in different sizes, depending on the design. Follow the simple instructions outlined below to complete the installation.



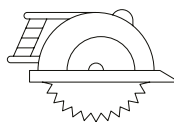
PENCIL



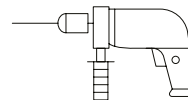
SCREWS



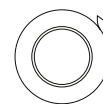
MEASURING TAPE



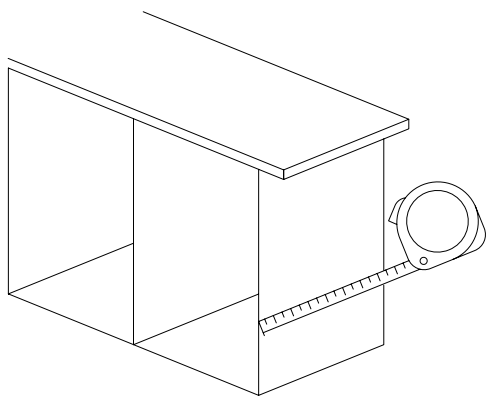
JIGSAW/CIRCULAR SAW



SCREWDRIVER/DRILL

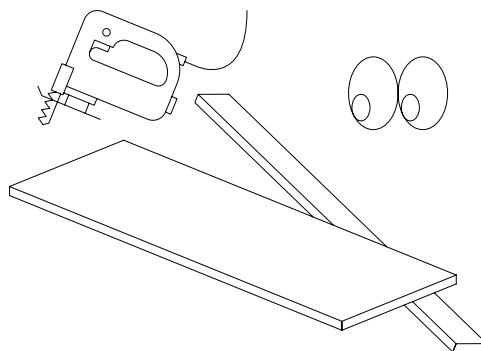


ADHESIVE TAPE



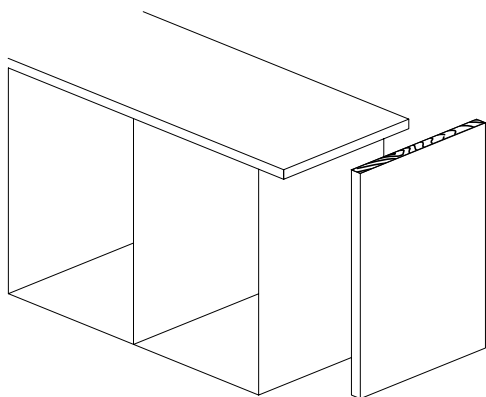
1

START BY MEASURING THE REQUIRED HEIGHT AND DEPTH OF YOUR PANEL.
MAKE SURE THAT YOU DRAW IT UP ACCORDING TO YOUR DESIGN PLAN.



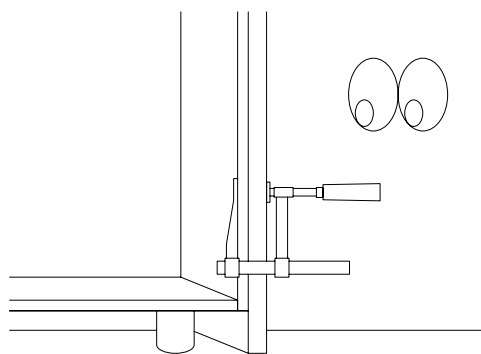
2

DRAW UP AND CUT THE PANEL IN THE DIMENSIONS
THAT YOU NEED.



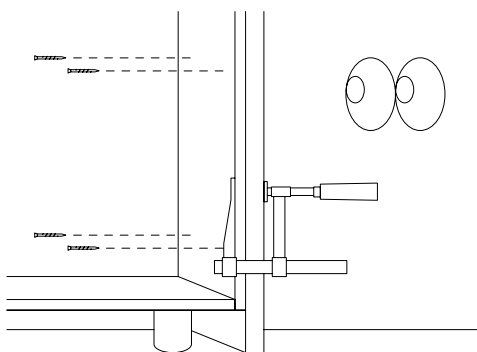
3

IF THIS PRODUCES EXPOSED EDGES, THEY SHOULD BE PLACED
UNDER THE COUNTERTOP OR FACE THE WALL.



4

USE CLAMPS TO FASTEN THE PANEL TO THE
SIDE OF THE CABINET.

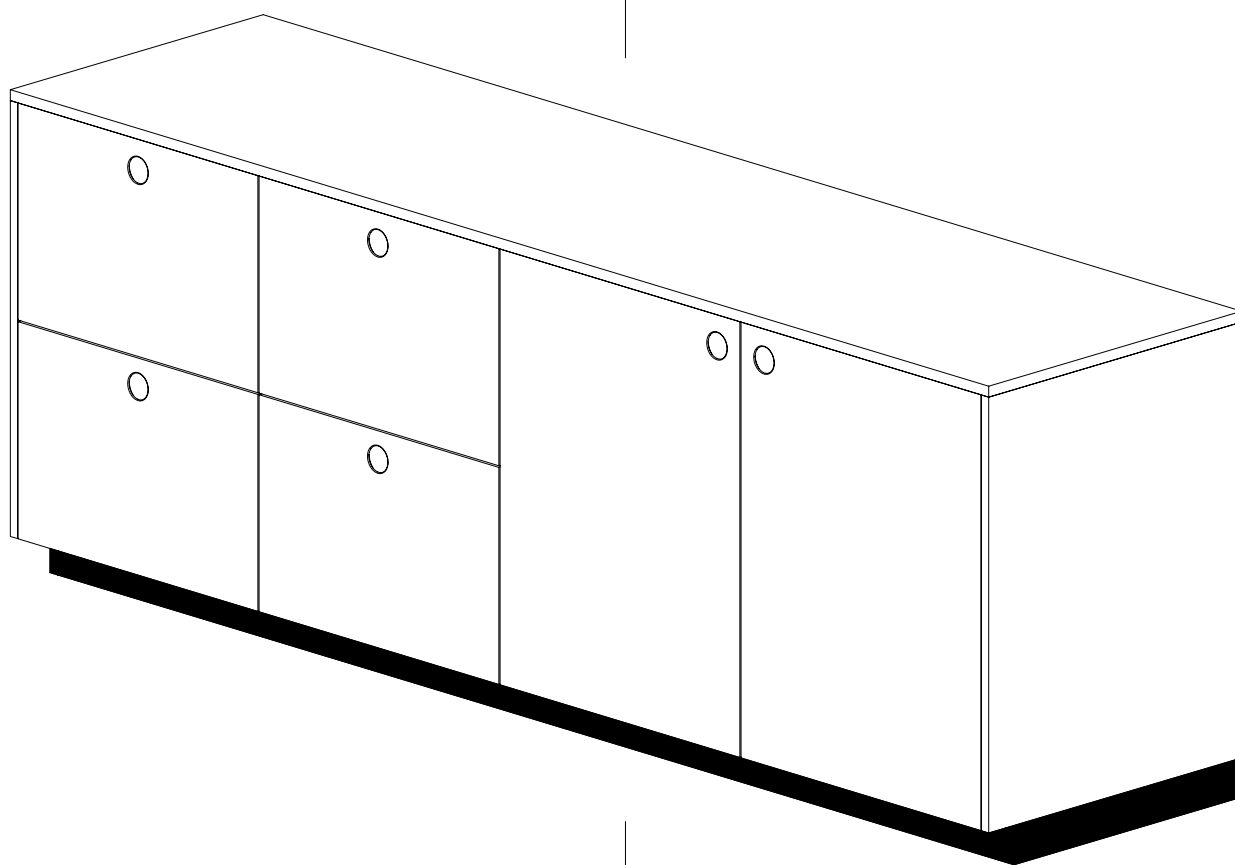


5

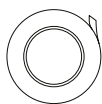
ATTACH THE COVER PANEL FIRST, IF YOU'RE INCLUDING A HIGH CABINET
FOR APPLIANCES IN YOUR KITCHEN. WE RECOMMEND USING TWO SCREWS
IN DEPTH AND 1 ROW FOR EACH 60 CM IN HEIGHT. HIDE SCREWS BEHIND
HINGES/SLIDES WHEREVER POSSIBLE.

INSTALLING THE TOE KICK/PLINTH

The Reform toe kick/plinth should be installed underneath the frontal part of the lower cabinets. Follow the simple steps outlined below to complete the installation.



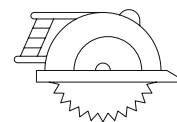
PENCIL



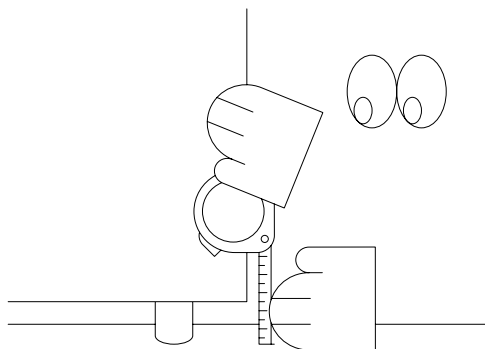
ADHESIVE TAPE



MEASURING TAPE

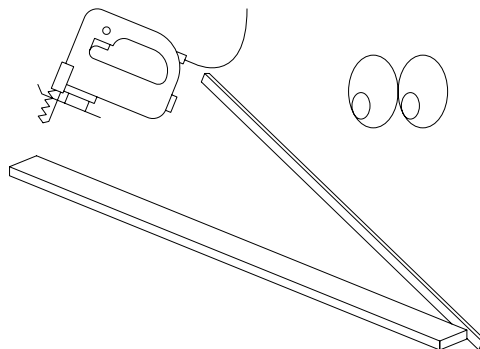


JIGSAW/CIRCULAR SAW



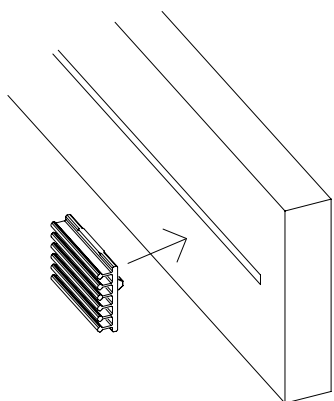
1

START BY MEASURING THE REQUIRED HEIGHT AND WIDTH OF YOUR TOE KICK/ PLINTH



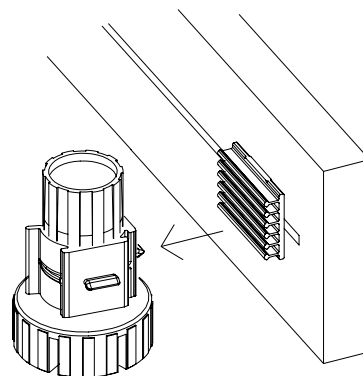
2

CUT THE TOE KICK/PLINTH INTO THE RIGHT SIZE IF NECESSARY.



3

NOW ATTACH THE TOE KICK CLIP/PLINTH CLIP TO THE TOE KICK/PLINTH.

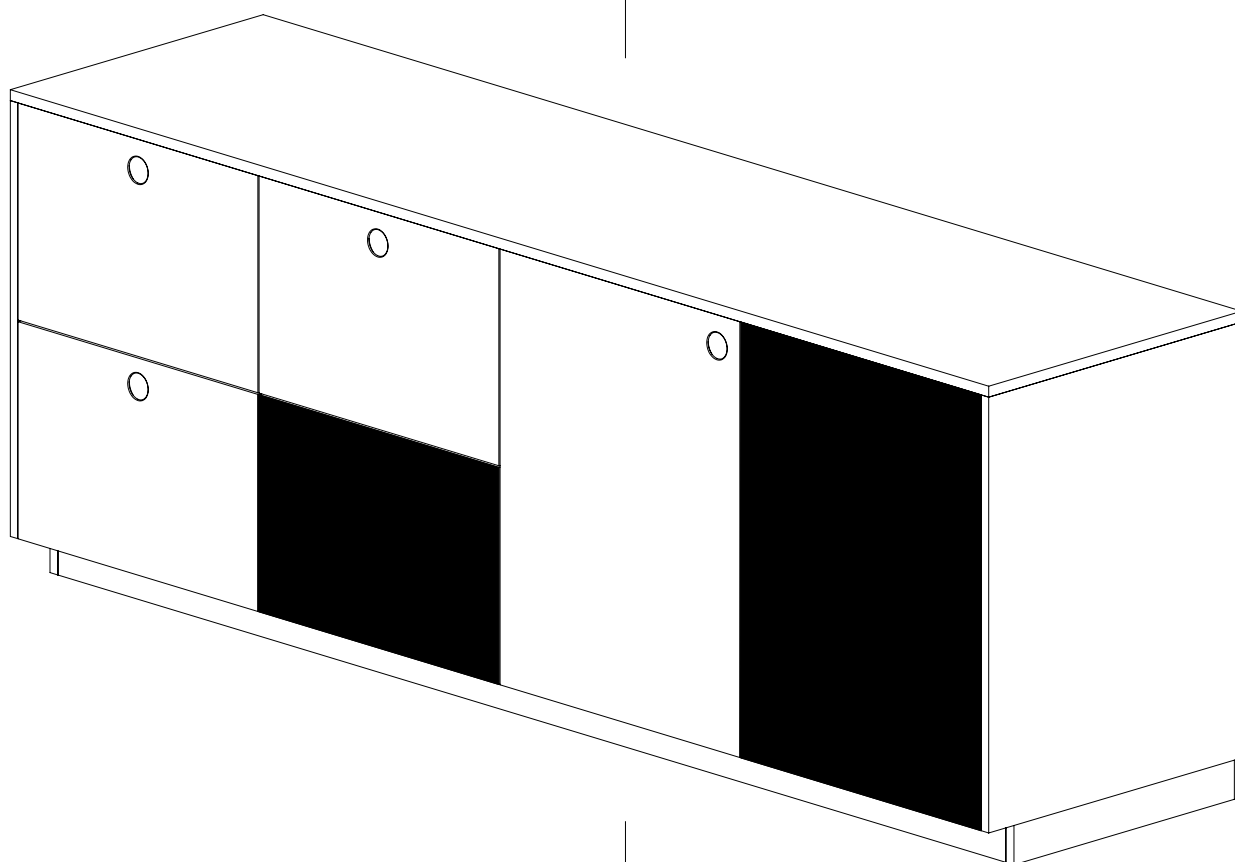


4

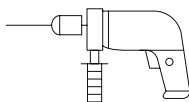
ATTACH THE TOE KICK/PLINTH TO THE LEG.

INSTALLING THE DOORS, DRAWERS, SHELVES, AND HANDLES

Place the drawers before you place the doors and shelves. Make sure that you read your chosen drawer type (wooden drawer or steel drawer) assembly guide thoroughly because it affects the position of drawer slides. Finally, add handles, and any other solutions, which are internal.



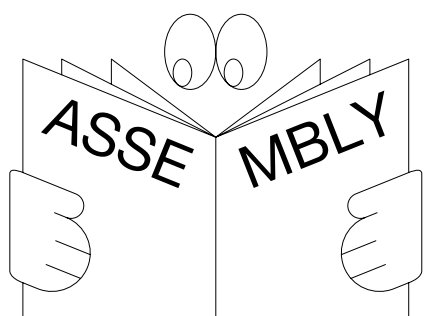
SCREWDRIVER



ELECTRIC SCREWDRIVER

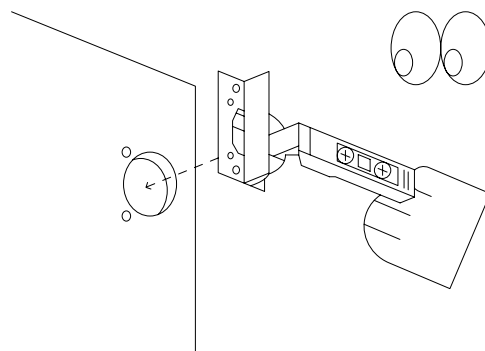


SCREWS



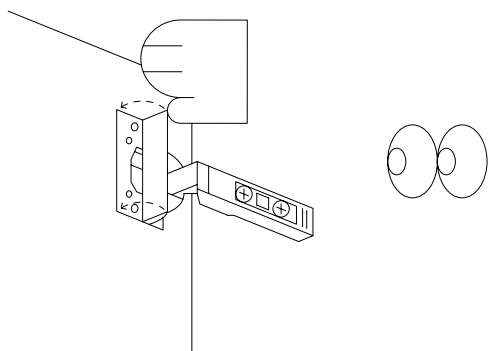
1

ASSEMBLE THE DRAWERS AND DRAWER FRONTS BY READING THE INSTRUCTIONS RELATING TO YOUR CHOSEN DRAWER TYPE ASSEMBLY GUIDE (WOODEN DRAWERS OR STEEL DRAWERS).



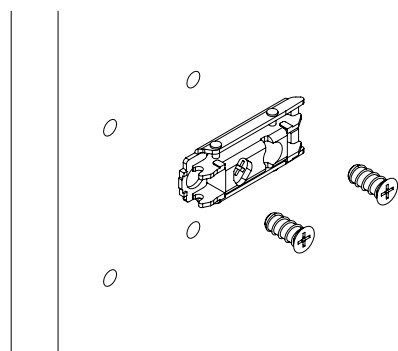
2

NOW MOVE ON TO ATTACHING THE DOORS. FIRST, PLACE THE HINGE ON THE DOOR.



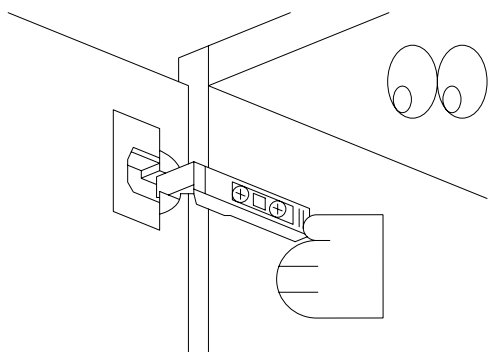
3

PRESS THE CLIP DOWN TO LOCK THE HINGE.



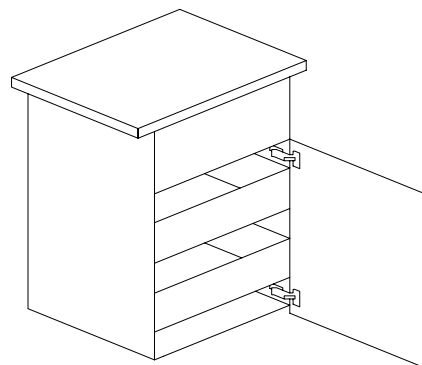
4

SECURE THE MOUNTING PLATE ONTO THE SIDE OF THE CABINET WITH YOUR SCREWS. THE ARROW ON THE PLATE SHOULD POINT TOWARDS THE FRONT OF THE CABINET.



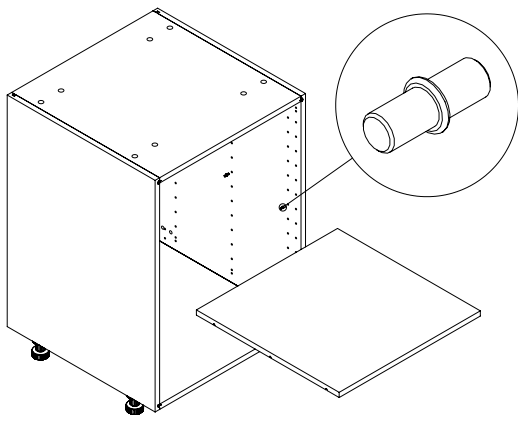
5

ATTACH THE HINGE TO THE MOUNTING PLATE, SO THAT IT CLICKS.



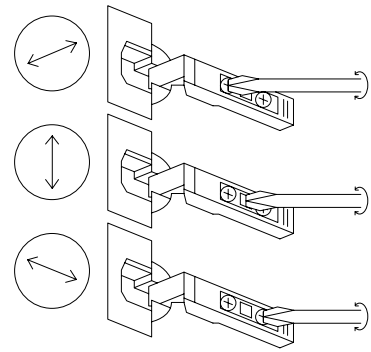
6

AFTER YOU'VE SECURED THE HINGES, MAKE YOUR DRAWERS AND DOORS FIT WITH YOUR CABINETS.

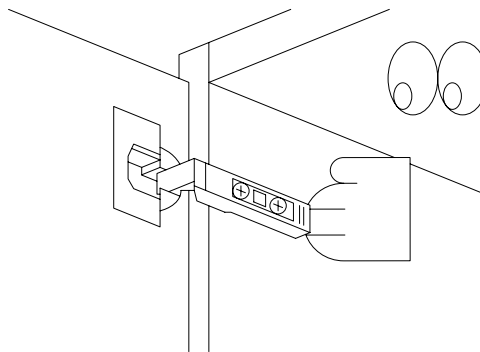


7

NOW IT'S TIME TO PLACE THE SHELVES.



8

ALIGN YOUR DOORS IN THE CORRECT HEIGHT AND WIDTH
BY ADJUSTING THE SCREWS ON THE HINGE PLATE.

9

PRESS THE BACK OF THE HINGE EDGE,
IF YOU'D LIKE TO UNMOUNT IT.

YOU MADE IT

Congratulations and thank you for choosing Reform.
We hope you'll want to share some photos of your new kitchen with us.

