



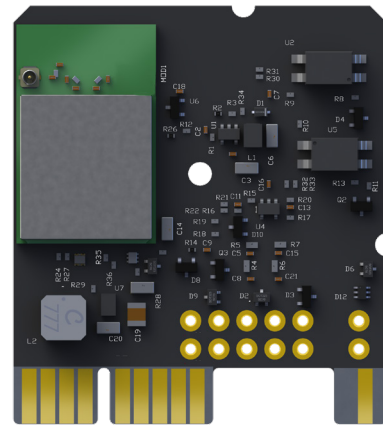
DIM10-087-06

DALI-2/ DIM to OFF Wireless Lighting Controller

Product Overview

The **DIM10-087-06** embedded wireless controller opens up an exciting integration path for LED fixtures. Its smaller size and lower cost point makes this DC-powered wireless controller versatile enough to be embedded in nearly any medium to high wattage LED fixture.

Pairing the DIM10-087-06 with a SimplySNAP Site Controller makes it easy for your customer to comply with ASHRAE, Title 24, and other energy requirements today and in the future



Powered by the LED Driver

Features

- Simplified DC Design — mates with LED Drivers
- Small footprint allows for easier integration
- Less Labor, Less Wires, Quicker Time-to-Market
- More Reliable — No Mechanical Relay
- DALI-2 Compatible Bus — Power Monitoring and Dimming via Bus
- DIM to OFF Compatible with 0-10V Dimming (No Power Monitoring)
- Powered via Aux LED Driver Power
- Self-healing 2.4GHz SNAP Mesh Networking
- Seamless SimplySNAP Integration
- Secure, over-the-air software upgrades
- 2 Sensor Inputs: DC motion Sensors/0-10V Photo Cells
- DLC Certification for both Indoor and Outdoor
- Secure AES128 Encryption

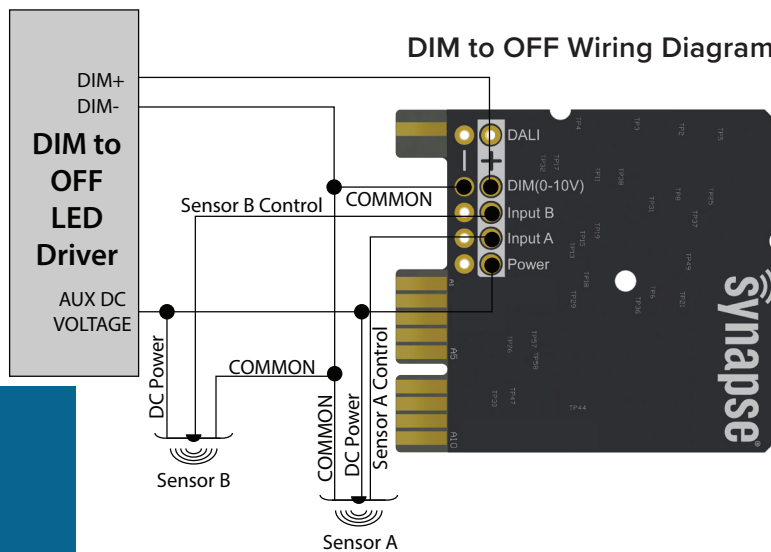
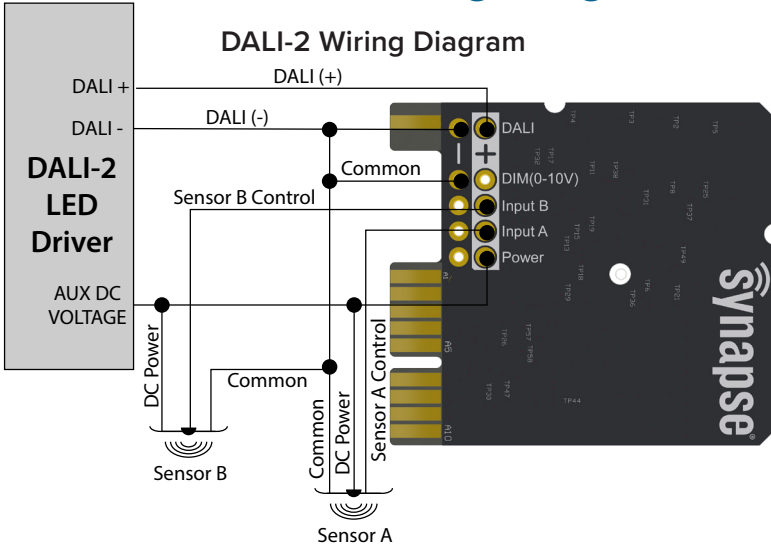
Future DALI-2 Enhancements

- Fixture Run Time in Hours
- Fixture Model Data
- LED Driver Model Data
- Surge Detection
- Over Temperature
- Over Current
- DALI-2 Sensors
- White Color Tuning

To learn more, call or visit:
synapsewireless.com
(877) 982-7888



DIM10-087-06 Wiring Diagram Examples



Note: Deployment is for inside fixtures only. Do NOT use in a fixture to fixture design.

Specifications

Dimensions	2.25" L x 2.0" W x .3" H (57 L x 50.8 W x 7.6H mm)	
Input Power	5 to 24V DC, 700 mW max	
Temperature	-40°C to +85°C	
Dimming	0-10V, 10 mA (Max)	
DALI-2	Limited to 8 Drivers	
Wire Size	15-20 AWG (.063")	
Sensor Input Specifications	Analog: 0-10V	2 Available software select
	Digital: 0-24V	
Radio	SNAP 2.4GHz ; 802.15.4 +20 dBm Transmit Power -103 dBm Receive Sensitivity	
Certifications	UL Recognized Component; CE; FCC/IC; DLC- Indoor/Outdoor; DiiA - DALI-2 Certification (Pending)	
Warranty	5 Years	

Product #	Description
DIM10-087-06	Bare Board, External Antenna (RF cable and Antenna not included)
DIM10-087-06-F	Bare Board, Internal antenna

u.FL RF cable and Antenna Options - optional for DIM10-087-06 model

Part #	Description
KIT-ANTUFL18-01	OUTDOOR ANT,RIGHT ANGLE,U.FL, 18" CBL,14MM BULKHEAD,O-RING
KIT-ANTUFL18-02	OUTDOOR ANT,STRAIGHT,U.FL, 18" CBL,14MM BULKHEAD,O-RING
KIT-ANTUFL18-03	OUTDOOR ANT,RIGHT ANGLE STUB,U.FL, 18" CBL,14MM BULKHEAD,O-RING
KIT-ANTUFL18-04	OUTDOOR ANT,STRAIGHT STUB,U.FL, 18" CBL,14MM BULKHEAD,O-RING

SimplySNAP Site Controllers - required for all SimplySNAP deployments

Part #	Description
SS450	SimplySNAP, WiFi, Verizon LTE, Industrial Metal Enclosure