

Job Name: _____
Location: _____
Contact #: _____



Specifications

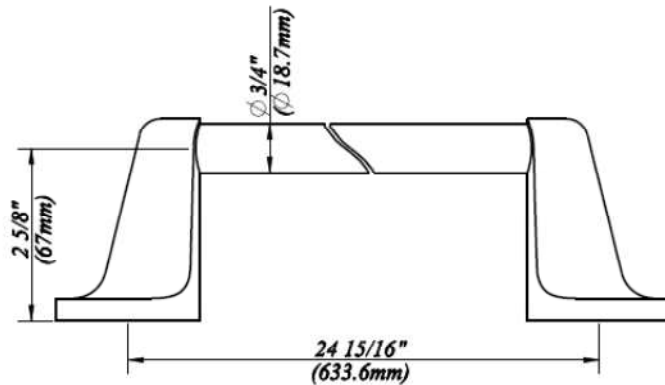
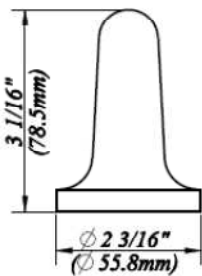
Model

400679—Brushed nickel finish
818021—Chrome finish

24" Towel Bar

Description

- o Easy installation
- o Lifetime warranty
- o Metal construction
- o Matching faucet of 400679 is 412379



Technical Support

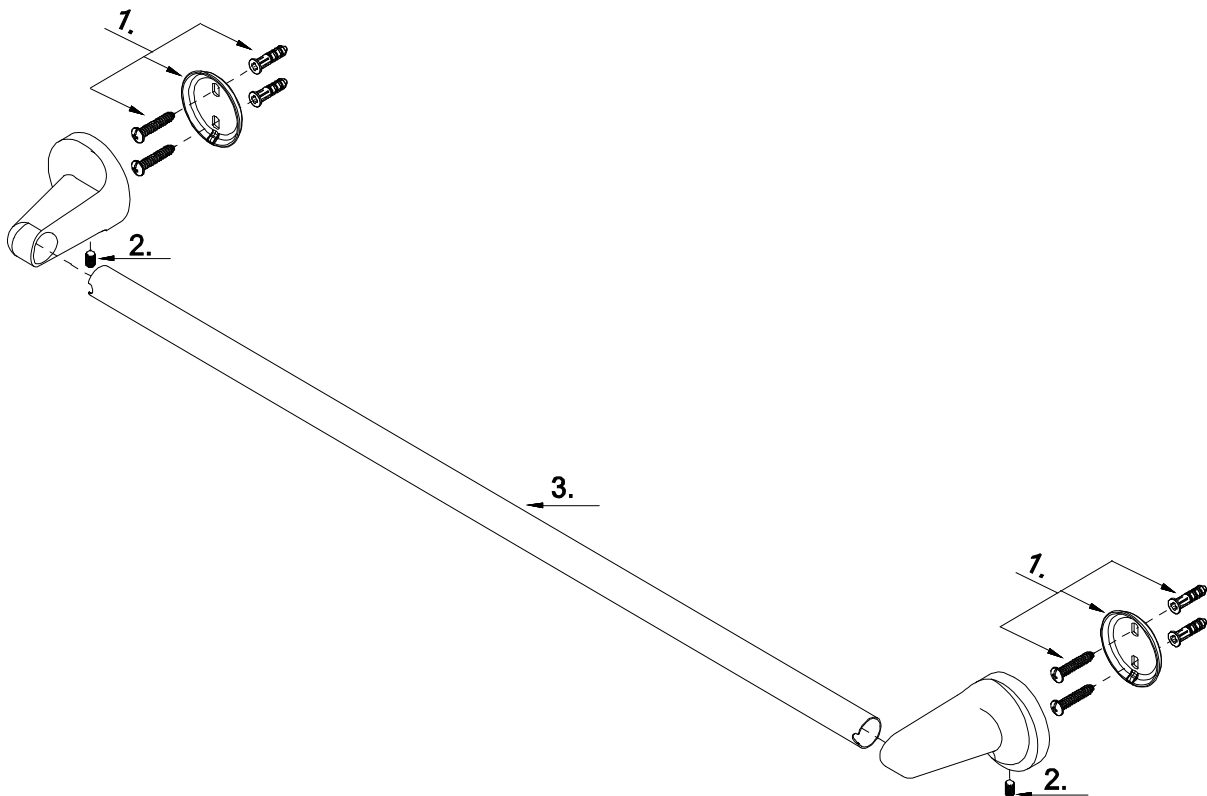
888-328-2383

Manufacturer model# B7001200

Warranty Parts List

24" Towel Bar

#	Description	Part #
1	holding hardware	A290552
2	screw ((M5 *10 mm L)	A292401NI
3	24" towel bar	A250322



Technical Support

888-328-2383

Manufacturer model# B7001200