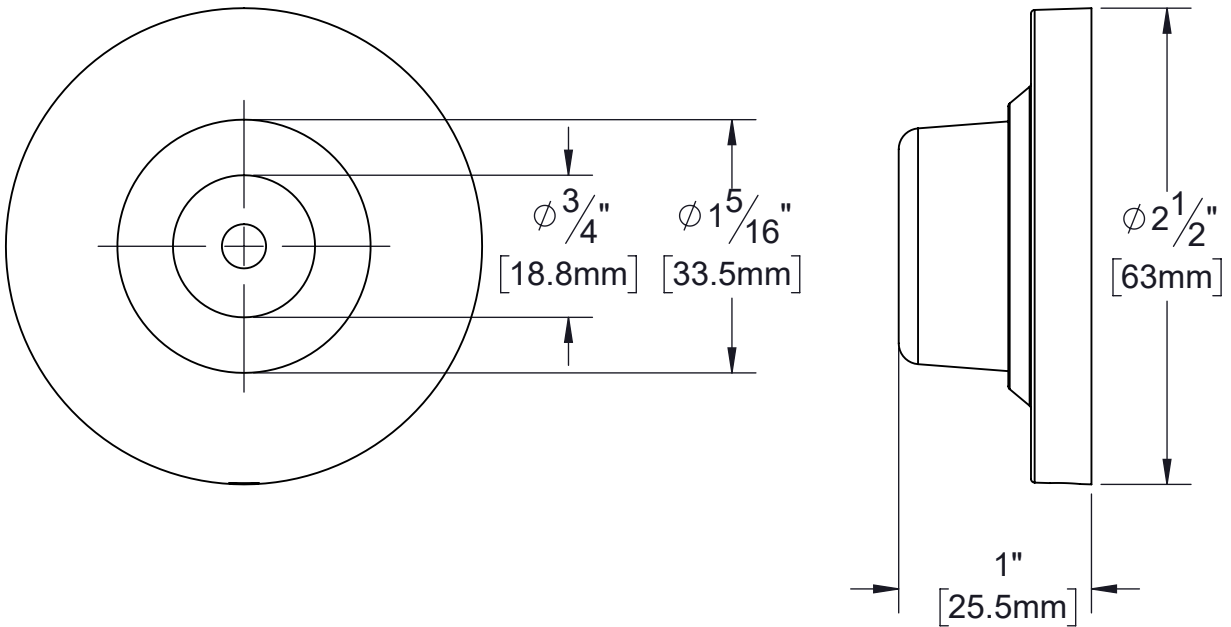


# PRODUCT DATA SHEET

**Product Description:** Door bumper, concave, 2 1/2" diameter. Fabricated from die cast zinc with a US26D satin chrome finish. Single mounting screw included.



**Overall Size:** 2 1/2" W X 2 1/2" H X 7/8" D

**Material:** Zinc

**Finish:** US26D Satin Chrome

### Cross Reference

Manufacturer	Part Number



Description:

**Door Bumper, Concave,  
2 1/2" Diameter**

Part Number:

**WB250U26D**

Date

12/19

Rev.

05

Sheet 1 of 1