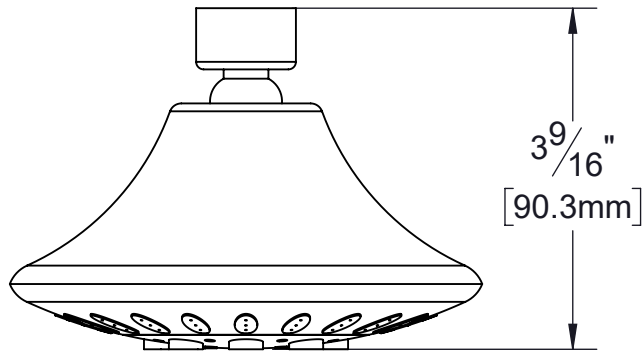
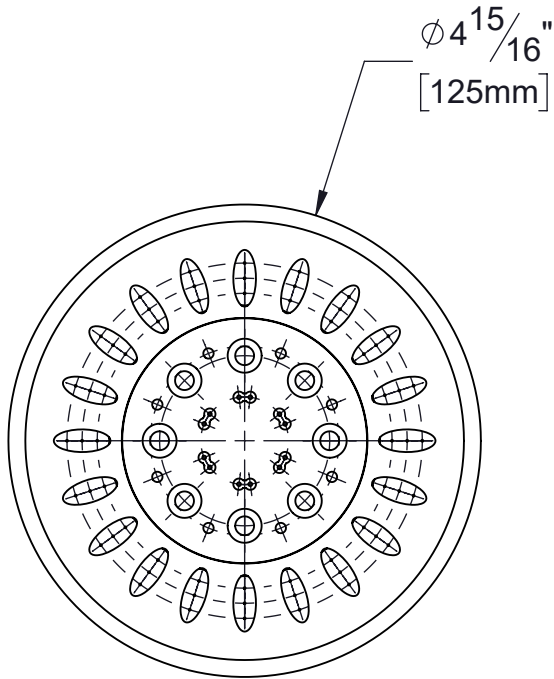


PRODUCT DATA SHEET

Product Description: Five function shower head, 5" diameter round. Fabricated from ABS plastic with satin nickel finish. Complies with UPC. NSF 61 certified to meet AB1953 standard. WaterSense certified, maximum 1.8 gallons per minute. Shower head arm (product # SHA615) sold separately.



Overall Size: 4 15/16" W X 4 15/16" H X 3 9/16" D

Material: ABS Plastic

Finish: US15 Satin Nickel

Cross Reference

Manufacturer	Part Number



Description:
**Shower Head, Five Function,
 5 In. Diameter, ABS Plastic**

Part Number:	Date	Rev.
SHMFR15		
Sheet 1 of 1		