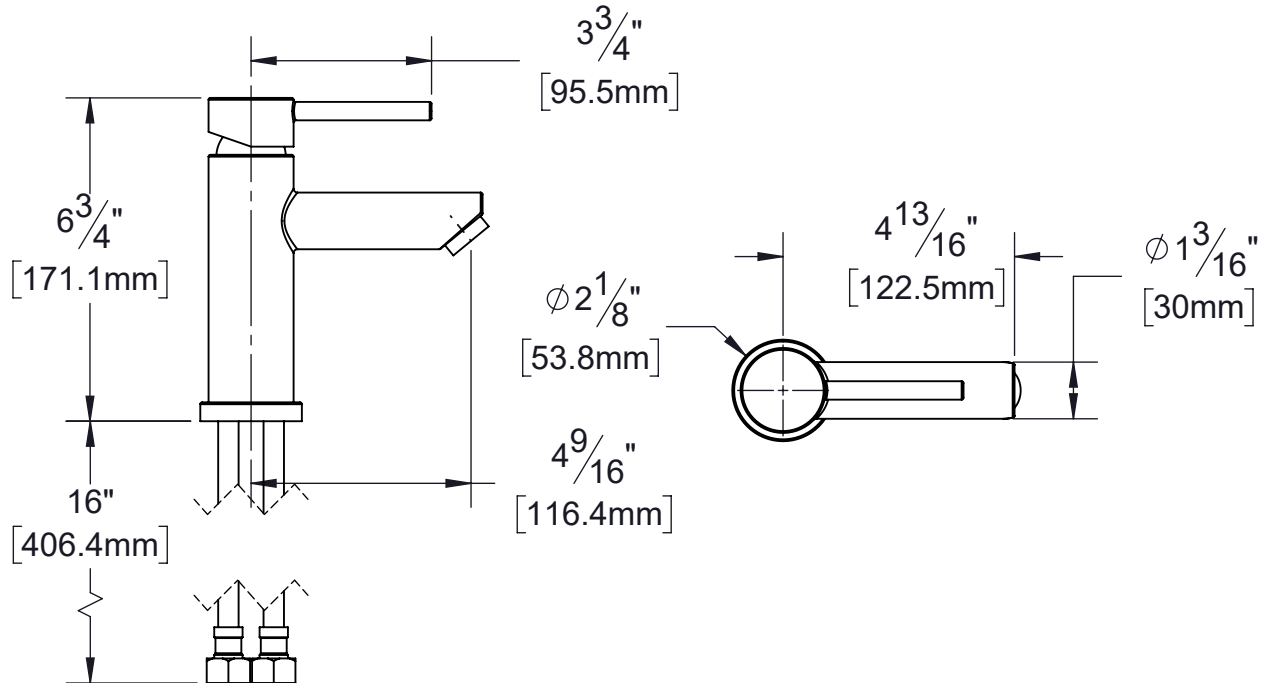


PRODUCT DATA SHEET

Product Description: Single hole contemporary/modern bathroom sink faucet, 7" high. Fabricated from stainless steel with US32D satin stainless steel finish. Ships with pre-installed water supply lines. Complies with UPC. NSF 61 certified to meet AB1953 standard. WaterSense certified, maximum 1.5 gallons per minute. ADA compliant. Uses with push pop up drain (product #PPOPV15) sold separately. Use bathroom faucet installation deckplate (product #BFDPR15) sold separately to cover pre-existing centerset faucet holes.



Maximum Countertop Thickness: 1 1/4"
Faucet Centers: Single Hole
Overall Height: 7"
Ceramic Disc Cartridges: Yes
Drain Included: No
Maximum Flow Rate: 1.5 GPM (Gallons Per Minute)



Overall Size: 1 7/9" W X 7" H X 5 1/2" D	
Material: Stainless Steel	
Finish: US32D Satin Stainless Steel	
Cross Reference	
Manufacturer	Part Number



Description:
Single Hole Contemporary / Modern Bathroom Sink Faucet, 7" High, Round

Part Number: SHFRSS15	Date	Rev.
Sheet 1 of 1		