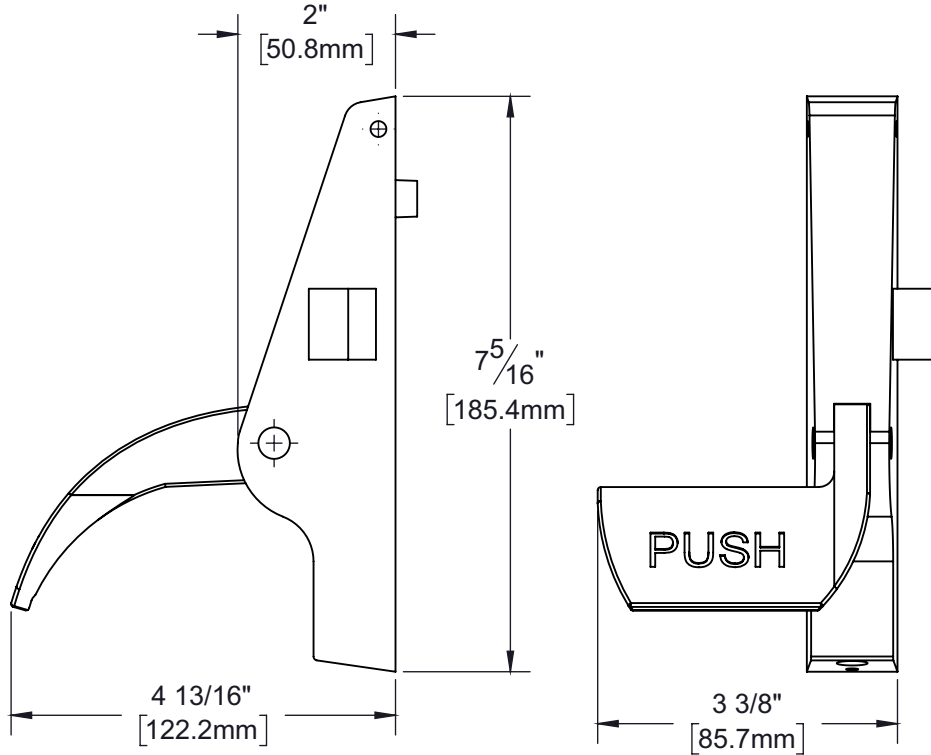


# PRODUCT DATA SHEET

**Product Description:** Push pad exit device, right hand reverse. Rail and push pad are fabricated from extruded and die cast aluminum with a powder coated aluminum finish. Designed for use with narrow, medium, and wide stile aluminum or hollow metal doors (not wood doors). Trim available in the following functions: entry and passage. Mounting hardware and strike included.



Door Thickness: Standard Doors 1 3/4" - 2"  
 Latch Bolt: Zinc 1/2" Throw  
 Strike: Rim Mounted Roller Strike With Shim

**Overall Size:** 3 3/8" W X 7 5/16" H x 4 13/16" D

**Material:** Extruded and Die Cast Aluminum

**Finish:** Powder Coated Aluminum

**Cross Reference**

Manufacturer	Part Number
CRL Jackson	1095P



Description:

**Push Paddle Exit Device  
 For Narrow Stile Doors,  
 Right Hand Reverse**

Part Number:

**PPEDRP**

Date

Rev.