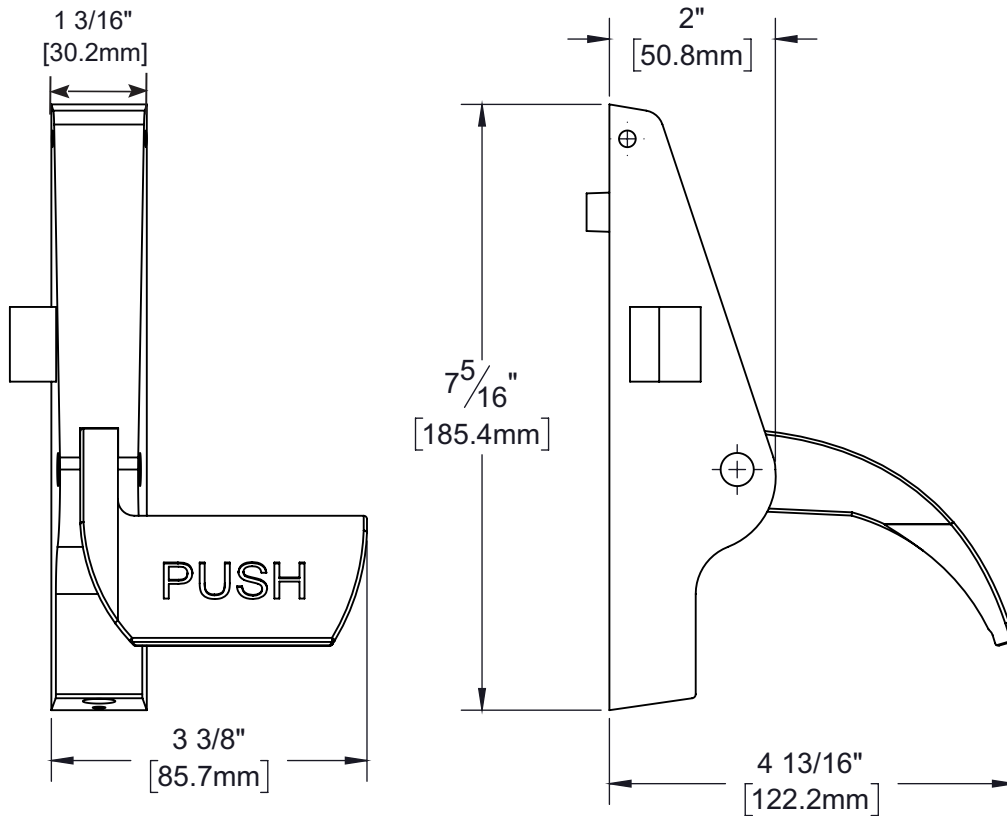


PRODUCT DATA SHEET

Product Description: Push pad exit device, left hand reverse. Rail and push pad are fabricated from extruded and die cast aluminum with a powder coated bronze finish. Designed for use with narrow, medium, and wide stile aluminum or hollow metal doors (not wood doors). Trim available in the following functions: entry and passage. Mounting hardware and strike included.



Door Thickness: Standard Doors 1 3/4" - 2"
 Latch Bolt: Zinc 1/2" Throw
 Strike: Rim Mounted Roller Strike With Shim

Overall Size: 3 3/8" W X 7 5/16" H x 4 13/16" D

Material: Extruded and Die Cast Aluminum

Finish: Powder Coated Bronze

Cross Reference

Manufacturer	Part Number
CRL Jackson	1095P



Description:
**Push Paddle Exit Device
 For Narrow Stile Doors,
 Left Hand Reverse**

Part Number: PPEDLPB	Date	Rev.
--------------------------------	------	------