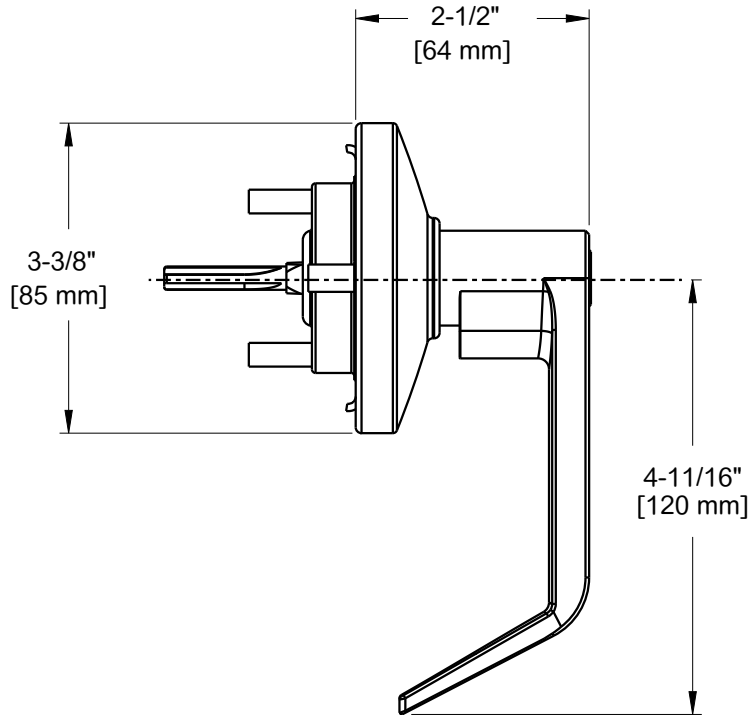


PRODUCT DATA SHEET

Product Description: Lever trim, panic exit device, storeroom. UL10C fire rated, non handed. Lever trim cylinder: solid brass 6-pin removable core Schlage "SC 4 Keyway". Lever trim fabricated from die cast zinc, escutcheon from stainless steel with a powder coated bronze finish. Cylindrical body fabricated from hardened steel heavy duty tailpiece. The outside lever is always locked, entrance by key only. Full length lever handle with 3/8" return. Fits both UL fire rated and UL panic exit devices. ADA compliant. Ships with mounting hardware.

**Designed For
161 Cut Out
Door Prep**



Door Thickness: Standard Doors 1 3/8" To 1 3/4" With Available Extension Kit Fits Doors 2 1/4"
Cylinder: Solid brass 6-Pin Removable Core Schlage "SC 4 Keyway"



Overall Size: 5" W X 3 5/16" H X 2 9/16" D

Material: Die Cast Zinc

Finish: Powder Coated Bronze

Cross Reference

Manufacturer	Part Number
CAL-ROYAL	8000S



Description:

**Lever Trim, Panic Exit,
Storeroom, Schlage "SC 4",
Die Cast Zinc**

Part Number:

PEL8001SRB

Date

03/26

Rev.

00

Sheet 1 of 1