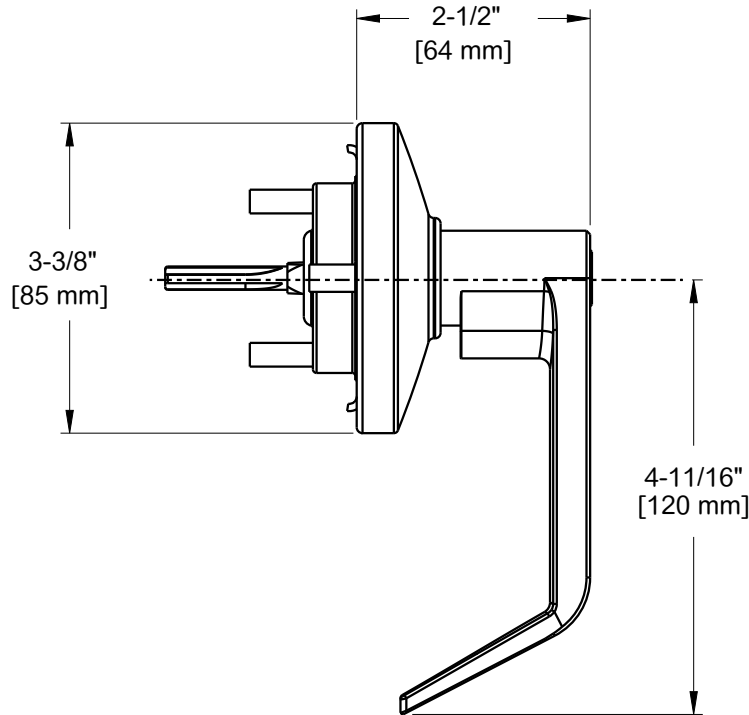


# PRODUCT DATA SHEET

**Product Description:** Lever trim, panic exit device, storeroom. UL10C fire rated, non handed. Lever trim cylinder: solid brass 6-pin removable core Schlage "SC 4 Keyway". Lever trim fabricated from die cast zinc, escutcheon from stainless steel US26D satin chrome finish. Cylindrical body fabricated from hardened steel heavy duty tailpiece. The outside lever is always locked, entrance by key only. Full length lever handle with 3/8" return. Fits both UL fire rated and UL panic exit devices. ADA compliant. Ships with mounting hardware.

**Designed For  
161 Cut Out  
Door Prep**



**Door Thickness:** Standard Doors 1 3/4" To 1 3/4" With Available Extension Kit Fits Doors 2 1/4"  
**Cylinder:** Solid brass 6-Pin Removable Core Schlage "SC 4 Keyway"



**Overall Size:** 5" W X 3 5/16" H X 2 9/16" D

**Material:** Die Cast Zinc

**Finish:** US26D Satin Chrome

**Cross Reference**

Manufacturer	Part Number
CAL-ROYAL	8000S



Description:  
**Lever Trim, Panic Exit,  
 Storeroom, Schlage "SC 4",  
 Die Cast Zinc**

Part Number: <b>PEL8001SR</b>	Date 03/26	Rev. 00
Sheet 1 of 1		