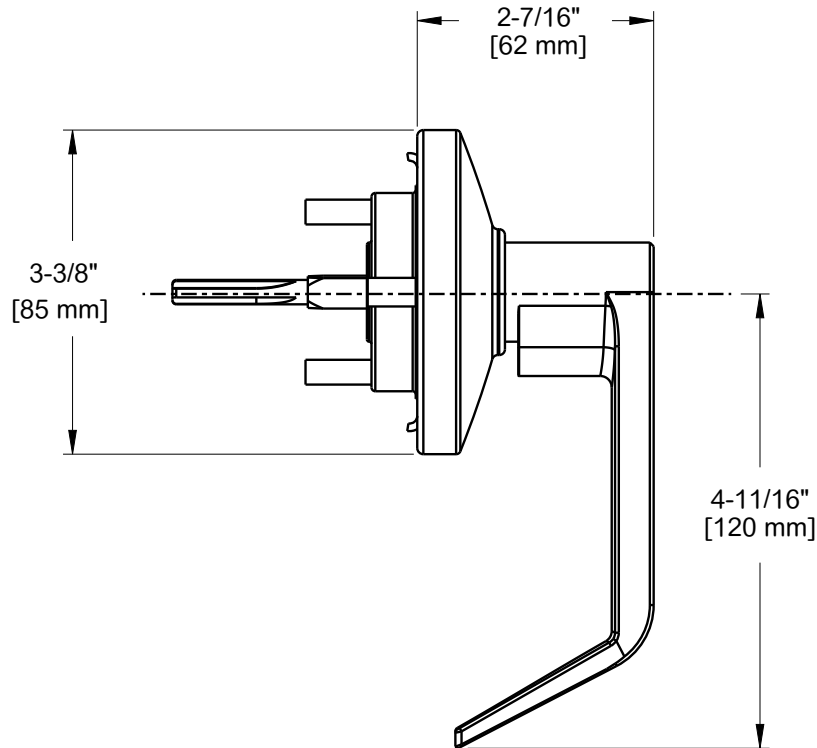


PRODUCT DATA SHEET

Product Description: Lever trim, panic exit device, passage. UL10C fire rated, non handed. Lever trim fabricated from die cast zinc and escutcheon fabricated from stainless steel US26D satin chrome finish. Cylindrical body fabricated from hardened steel heavy duty tailpiece. Lever is always operable from both sides. Full length lever handle with 3/8" return. Fits both UL fire rated and UL panic exit devices. ADA compliant. Ships with mounting hardware.

**Designed For
161 Cut Out
Door Prep**



Door Thickness: Standard Doors 1 3/8" To 1 3/4" With Available Extension Kit Fits Doors 2 1/4"



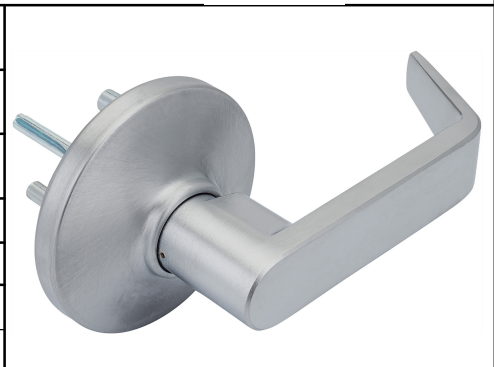
Overall Size: 6 3/8" W X 3 3/8" H X 2 1/2" D

Material: Die Cast Zinc

Finish: US26D Satin Chrome

Cross Reference

Manufacturer	Part Number
CAL-ROYAL	8000PAS



Description:

**Lever Trim, Panic Exit, Passage,
Die Cast Zinc**

Part Number:

PEL8001PS

Date

03/26

Rev.

00

Sheet 1 of 1