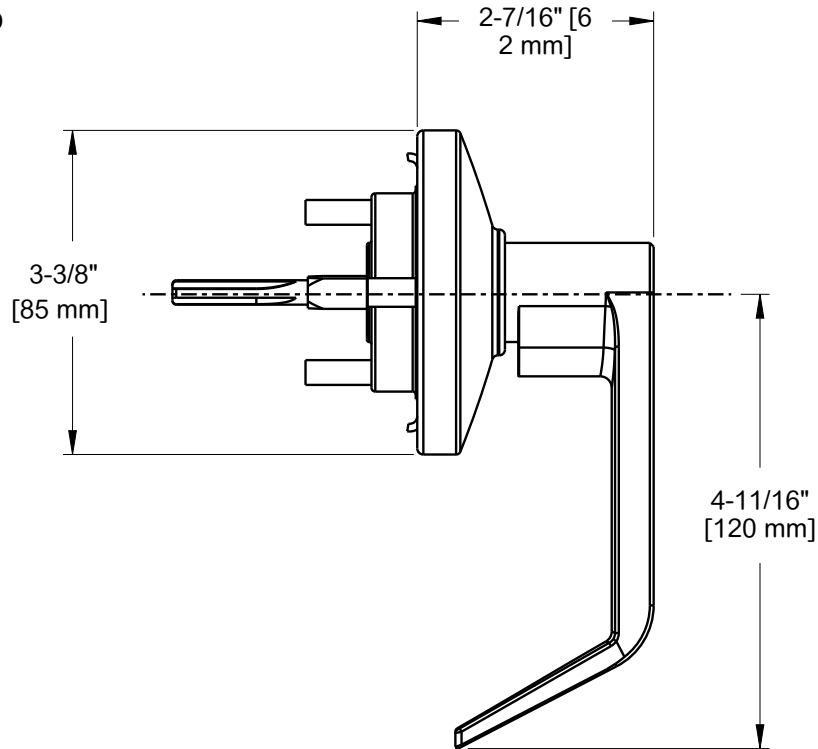


PRODUCT DATA SHEET

Product Description: Lever trim, panic exit device, dummy. UL10C fire rated, non handed. Lever trim fabricated from die cast zinc, escutcheon fabricated from stainless steel with a powder coated bronze finish. Cylindrical body fabricated from hardened steel heavy duty tailpiece. Full length lever handle with 3/8" return. Fits both UL fire rated and UL panic exit devices. ADA compliant. Ships with mounting hardware.

**Designed For
161 Cut Out
Door Prep**



Door Thickness: Standard Doors 1 3/4" to 2 1/4"



Overall Size: 5" W X 3 5/16" H X 2 9/16" D

Material: Die Cast Zinc

Finish: Powder Coated Bronze

Cross Reference

Manufacturer	Part Number
CAL-ROYAL	8000DUM



Description:

**Lever Trim, Panic Exit,
Dummy Function**

Part Number:

PEL8001DYB

Date

03/26

Rev.

00

Sheet 1 of 1