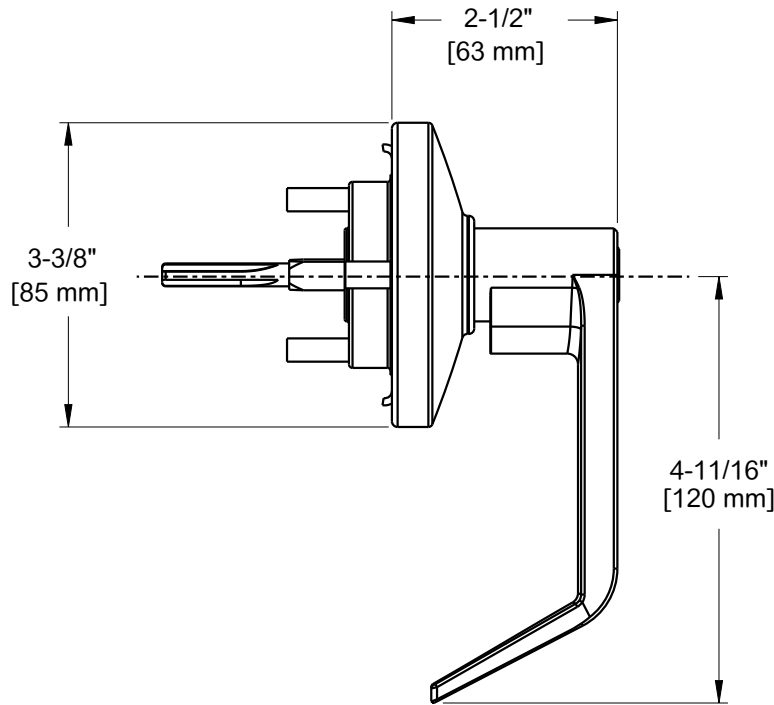


PRODUCT DATA SHEET

Product Description: Lever trim, panic exit device, classroom. UL10C fire rated, non handed. Lever trim cylinder: solid brass 6-pin removable core Schlage "SC 4 Keyway". Lever trim fabricated from die cast zinc, escutcheon fabricated from stainless steel with a powder coated bronze finish. Cylindrical body fabricated from hardened steel heavy duty tailpiece. Lever is locked and unlocked from the outside and remains unlocked by key. Full length lever handle with 3/8" return. Fits both UL fire rated and UL panic exit devices. ADA compliant. Ships with mounting hardware.

**Designed For
161 Cut Out
Door Prep**



Door Thickness: Standard Doors 1 3/8" To 1 3/4" With Available Extension Kit Fits Doors 2 1/4"
Cylinder: Solid brass 6-Pin Removable Core Schlage "SC 4 Keyway"



Overall Size: 5" W X 3 5/16" H X 2 9/16" D

Material: Die Cast Zinc

Finish: Powder Coated Bronze

Cross Reference

Manufacturer	Part Number
CAL-ROYAL	800L



Description:

**Lever Trim, Panic Exit,
Classroom Function, Schlage
"SC 4", Die Cast Zinc**

Part Number:

PEL8001CRB

Date

03/26

Rev.

00

Sheet 1 of 1