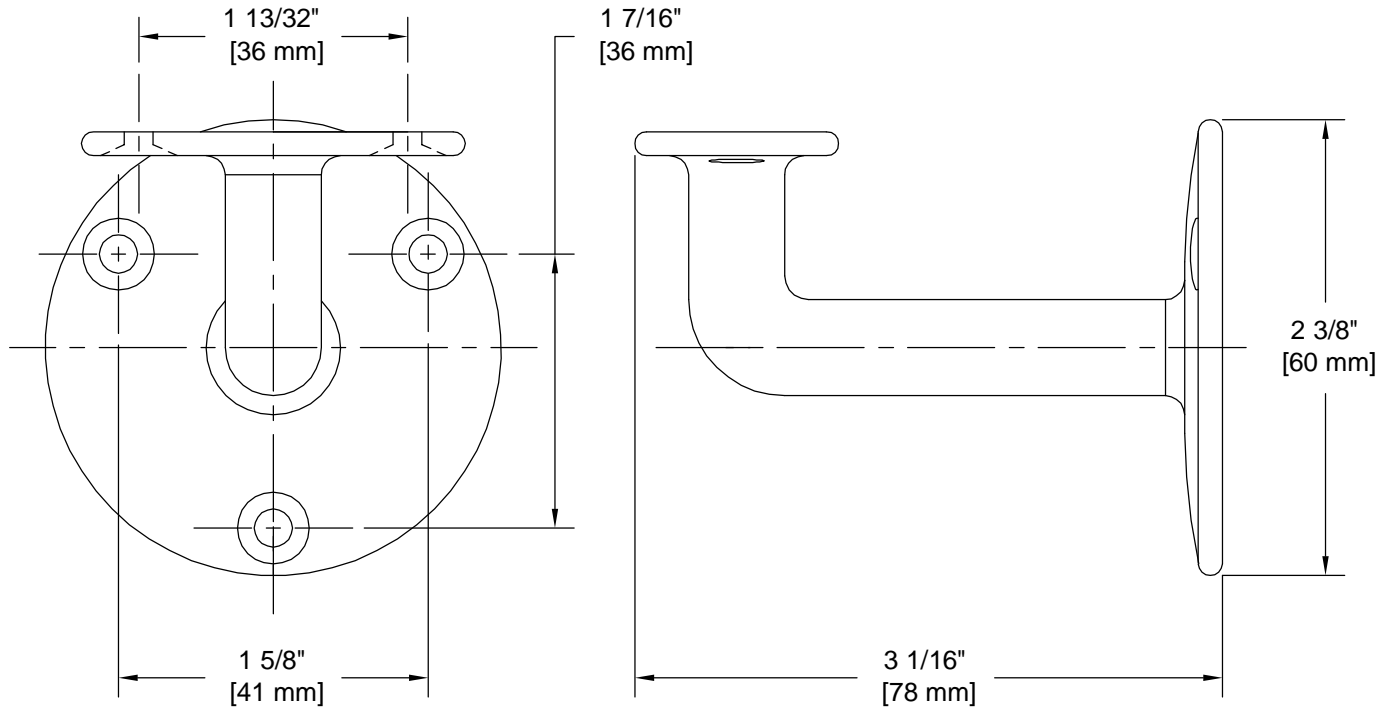


# PRODUCT DATA SHEET

**Product Description:** Handrail bracket, round base, heavy duty. Fabricated from zinc with a US26 Chrome finish. Mounting hardware: Three 1 1/2" length screws and two 1" length screws included.



**Overall Size:** 2 3/8" W X 2 3/8" H X 3 1/16" D

**Material:** Zinc

**Finish:** US26 Chrome

**Cross Reference**

Manufacturer	Part Number



Description:

**Handrail Bracket, Zinc,  
Round Base**

Part Number:

**HRC253U26**

Date

09/19

Rev.

02

Sheet 1 of 1