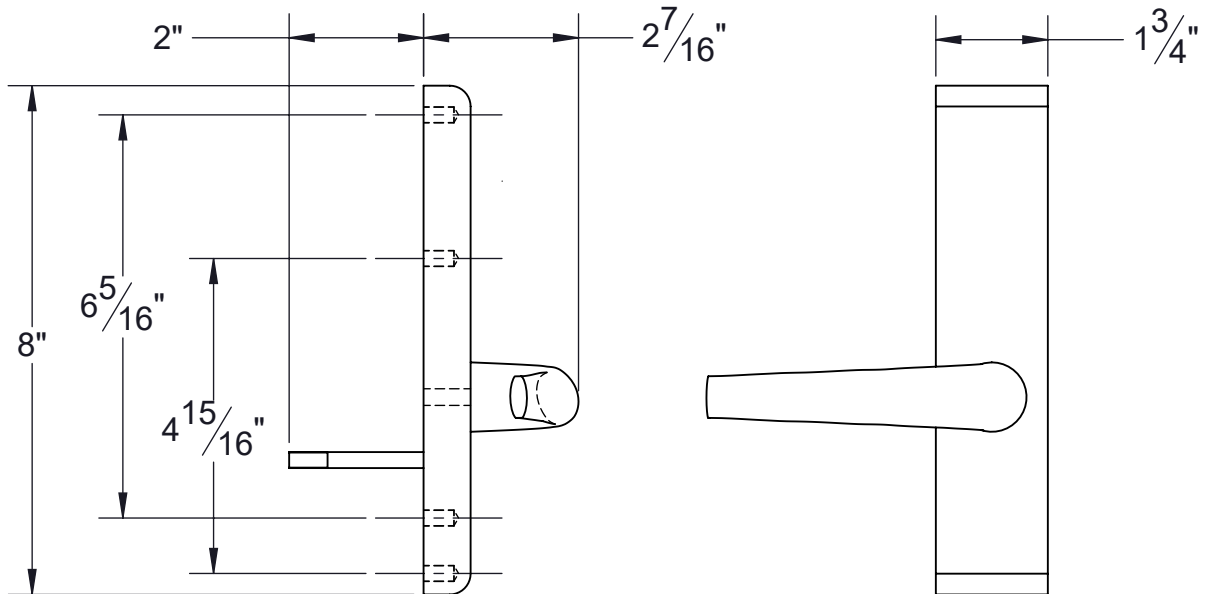


PRODUCT DATA SHEET

Product Description: Escutcheon lever trim, narrow stile & cross bar panic exit device, passage. Non handed. Lever trim and escutcheon are fabricated from die cast aluminum in a bronze finish. Full length lever handle with 3/8" return. Fits both narrow stile & cross bar exit devices. ADA compliant. Ships with mounting hardware.



Door Thickness: Standard Doors 1 3/4" - 1 7/8" For Narrow Stile Panic Exit Device

Standard Doors 1 3/4" - 2" For Cross Bar Panic Exit Device

Cylinder: Solid Brass 5-Pin Schlage "SC 1 Keyway"



Overall Size: 8" x 1 3/4" x 4 7/16"

Material: Extruded And Die Cast Aluminum

Finish: Bronze

Cross Reference

| Manufacturer | Part Number |
|--------------|-------------|
| CRL Jackson | 9500 |
| | |
| | |



Description:

Escutcheon Lever Trim, Narrow Stile And Crossbar Panic Exit Device, Passage, Schlage SC1, Die Cast Aluminum

Part Number:

ESCN95PSB

Date

Rev.

Sheet 1 of 1