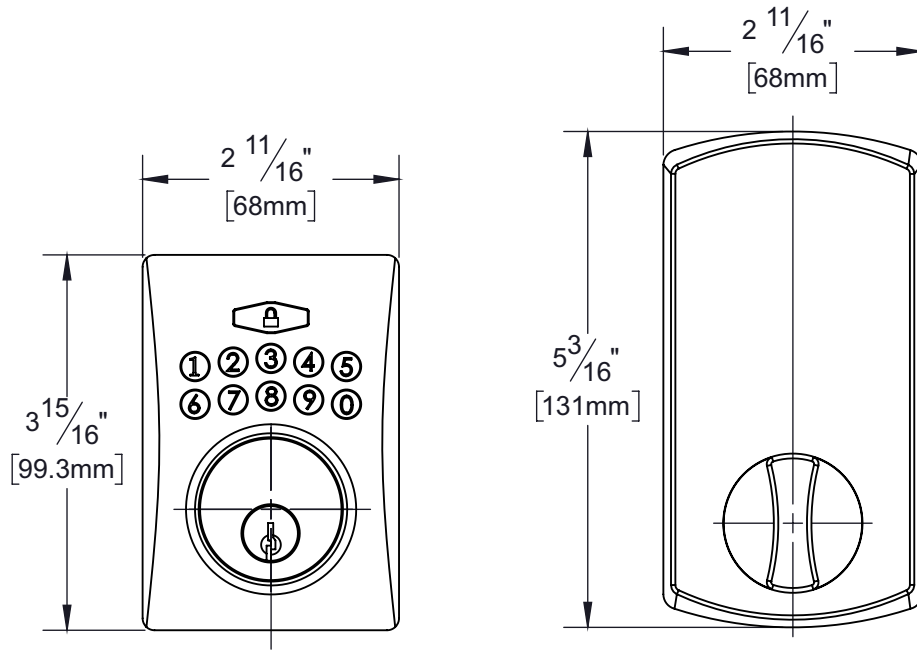


PRODUCT DATA SHEET

Product Description: Residential electronic keyless single cylinder deadbolt. Easily installable on most standard preparation doors as described below. Operates on four AA alkaline batteries (not included). Auto-lock with adjustable delay (10-99 seconds). Unit opens with reprogrammable user code or backup key. User codes include 1 master code and 10 user codes. 2 back up Kwikset type keys included.



Door Prep: Cross Bore 2 1/8", Edge Bore 1", Latch Face 1" x 2 1/4"
Door Thickness: Fits All 1 3/8" to 1 3/4" Doors
Plate: 2 1/4" Full Lip Strike
Bolt: 1" Hardened Throw
ANSI/BHMA: ANSI/BHMA Grade 3

Backset: 2 3/8" or 2 3/4"
Cylinder: 5-Pin Removable Core Strike

REKEY OPTIONAL



Overall Size: Keypad: 2 11/16" W X 3 15/16" H X 7/8" D
 Lock Case: 2 11/16" W X 5 3/16" H X 1 11/16" D

Material: Die Cast Zinc Outside Body, Brass Inside Cover, Hardened Steel Bolt

Finish: US19 Matte Black

Cross Reference

Manufacturer	Part Number



Description:

**Electronic Keyless Deadbolt,
 Square Escutcheon
 ANSI Grade 3**

Part Number:

EKD40U19

Date

08/17

Rev.

00