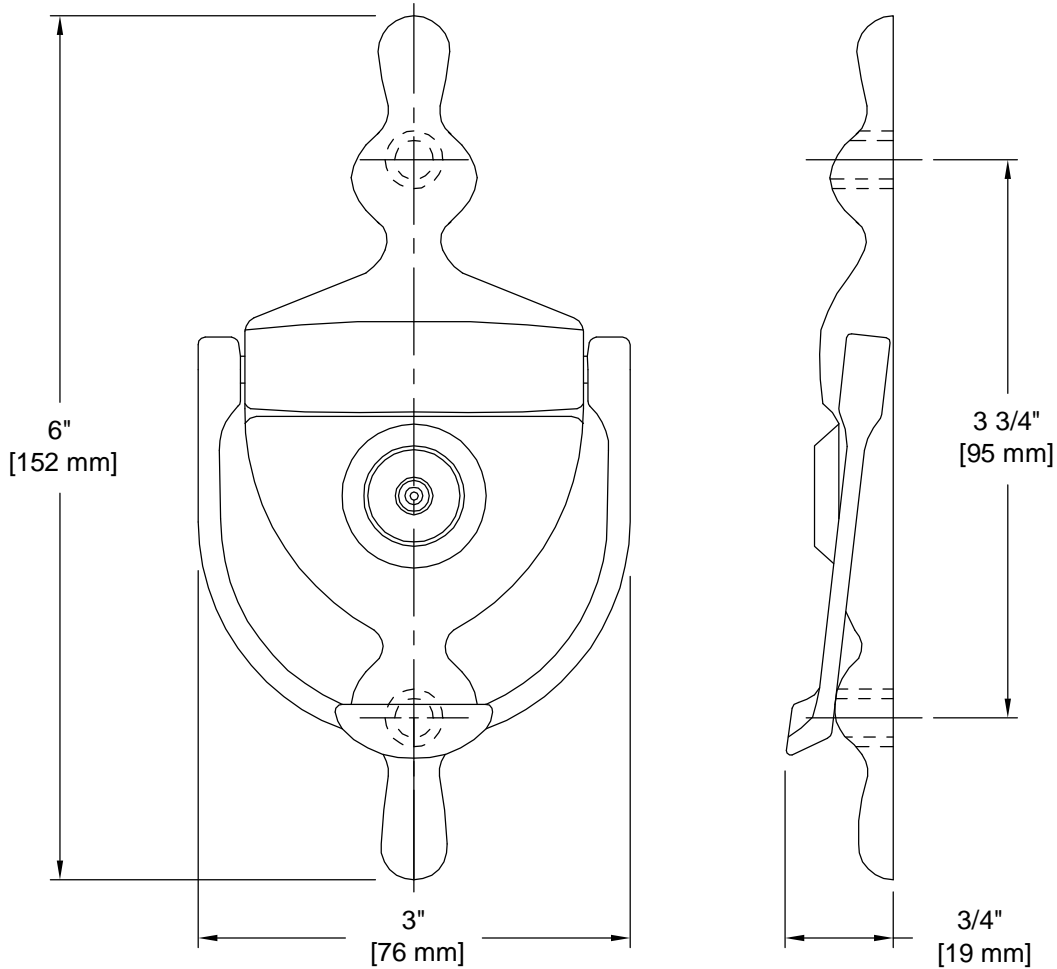


PRODUCT DATA SHEET

Product Description: Door knocker, 6" x 3", with a 180 degree, 1/2" bore viewer. For 1 1/4 - 1 3/4" thick door. Fabricated from zinc with a US15 satin nickel finish. Mounting hardware: Two 2" length screws included.



Overall Size: 3" W X 6" H X 3/4" D

Material: Zinc

Finish: US15 Satin Nickel

Cross Reference

Manufacturer	Part Number



Description:

**Door Knocker, Zinc,
6" X 3"**

Part Number:

DKV630U15

Date

09/19

Rev.

07