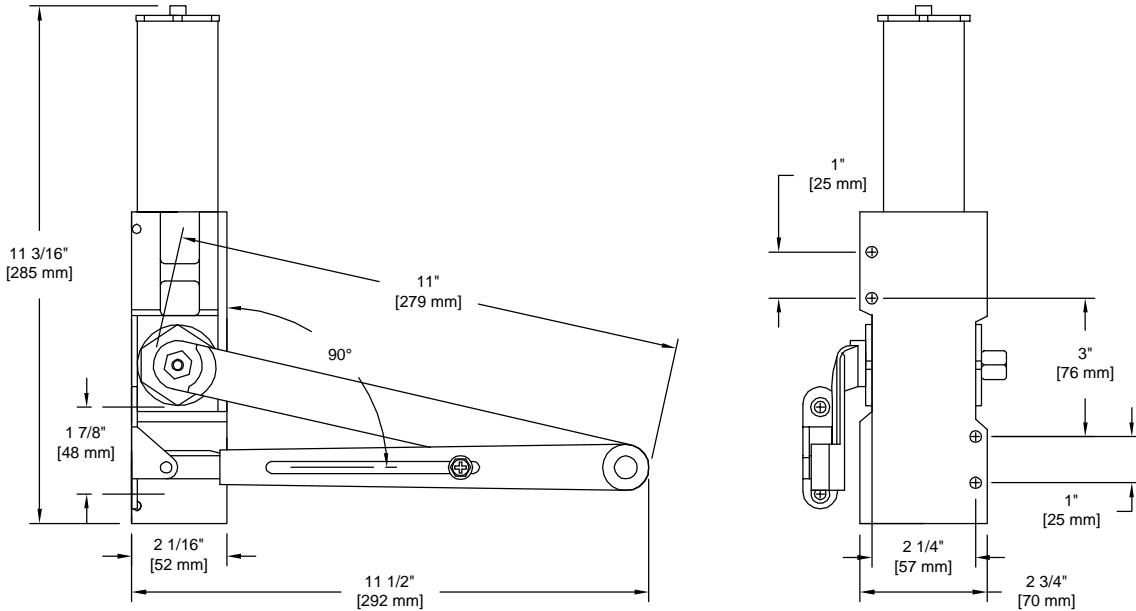


PRODUCT DATA SHEET

Product Description: Universal application heavy duty door closer with an aluminum finish. Door closer is ANSI A156. Grade 1 certified and UL 10C fire rated. Product has a cast iron body and forged steel arm. Adjustable power size 1-6. Standard features include: sweep and latching speed, adjustable backcheck, and plastic cover. Tri-packed for regular arm, top jamb and parallel arm application. 10 year limited warranty. ADA compliant. Ships with mounting hardware.



Regular & Top Jamb				Parallel Arm			Applicable Door Weight lbs (kg)
Maximum Size of Door							
Closer Size	Interior	Exterior Inswing	Exterior Outswinging	Closer Size	Interior	Exterior Outswinging	
1	28" (0.71 m)			1			33-66 (15-30)
2	36" (0.91 m)			2	30" (0.76 m)		66-99 (30-45)
3	42" (1.07 m)	30" (0.76 m)	36" (0.91 m)	3	36" (0.91 m)	30" (0.76 m)	99-143 (45-65)
4	48" (1.22 m)	36" (0.91 m)	42" (1.07 m)	4	42" (1.07 m)	36" (0.91 m)	143-187 (65-85)
5	54" (1.37 m)	42" (1.07 m)	48" (1.22 m)	5	48" (1.22 m)	42" (1.07 m)	178-264 (85-120)
6	60" (1.52 m)	48" (1.22 m)	54" (1.37 m)	6	54" (1.37 m)	48" (1.22 m)	264-330 (120-150)

Overall Size: 11 3/16" W X 2 3/4" H X 11 1/2" D

Material: Cast Iron and Steel

Finish: Aluminum

Cross Reference

Manufacturer	Part Number	Manufacturer	Part Number	Manufacturer	Part Number
Global	TC4300	Yale	4400	Taco	CTP4041
LCN	4041	Corbin-Russwin	DC3200	CRL	PR90
Norton	7500	Arrow	5000		
Dor-O-Matic	SC70	Cal-Royal	CR441		
Sargent	250, 251	International	4401CI		



Description:

**Door Closer, Universal,
UL 10C, ANSI Grade 1,
Spring 1-6**

Part Number:

DC8400AL

Date

09/16

Rev.

04

Sheet 1 of 1