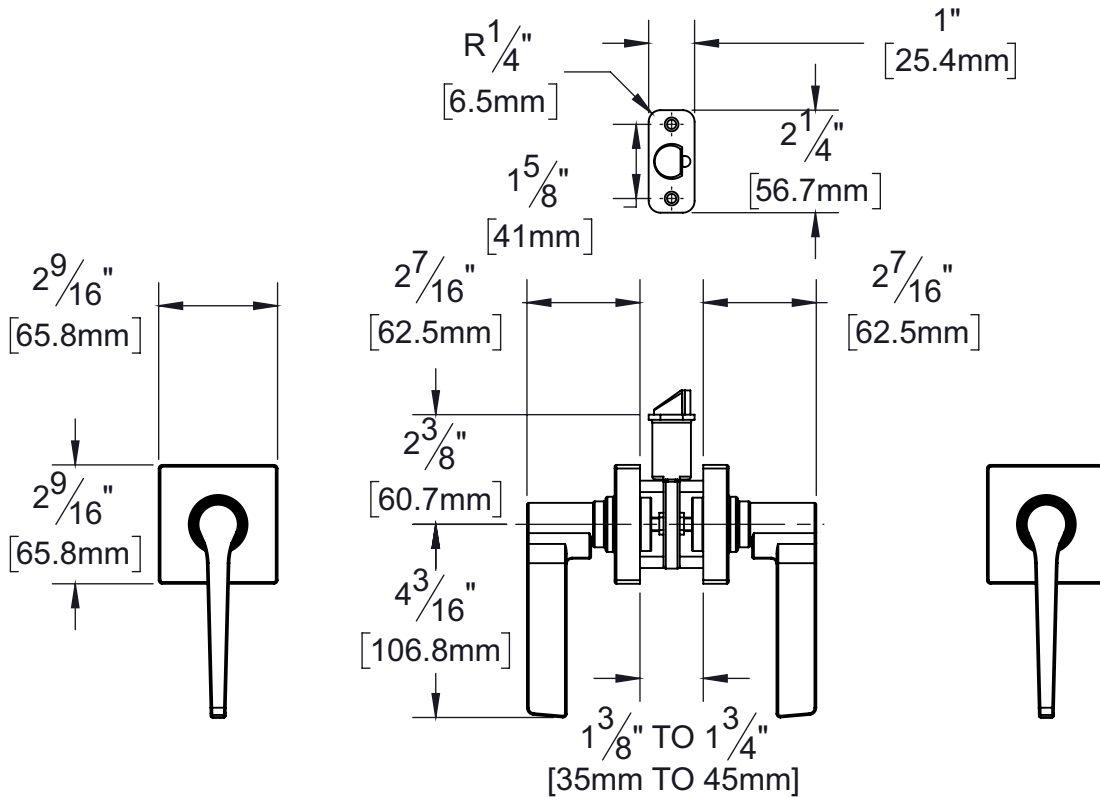


PRODUCT DATA SHEET

Product Description: Passage door lever, reversible. ANSI Grade 3. Fabricated from die cast zinc with a US26 bright chrome finish. Both levers are always free. Ships with mounting hardware. Lock ships with mortise latch. Optional drive in latch (product #87394) and UL10C fire rated latch (product #87373) available.



Door Prep: Cross Bore $2\frac{1}{8}$ ", Edge Bore 1 ", Mortise Latch Face 1 " x $2\frac{1}{4}$ ", Optional Drive In Latch 1 " Diameter Drilled Hole
Latches: Ships With Mortise Latch As Shown Above. Optional Drive In Or UL10C Fire Rated Latches Available
Backset: Adjustable Latch to $2\frac{3}{8}$ " or $2\frac{3}{4}$ "
Door Thickness: Fit all $1\frac{3}{8}$ " - $1\frac{3}{4}$ " Standard Doors
Strike Plate: $2\frac{1}{4}$ " Full Lip Strike
Bolt: $\frac{1}{2}$ " Throw



Overall Size: $5\frac{1}{2}$ " W X $2\frac{9}{16}$ " H X $2\frac{7}{16}$ " D

Material: Die Cast Zinc

Finish: US26 Bright Chrome

Cross Reference

Manufacturer	Part Number



Description:
Passage Lever, Reversible, Palm, ANSI Grade 3

Part Number: 87856	Date 09/17	Rev. 00
	Sheet 1 of 1	