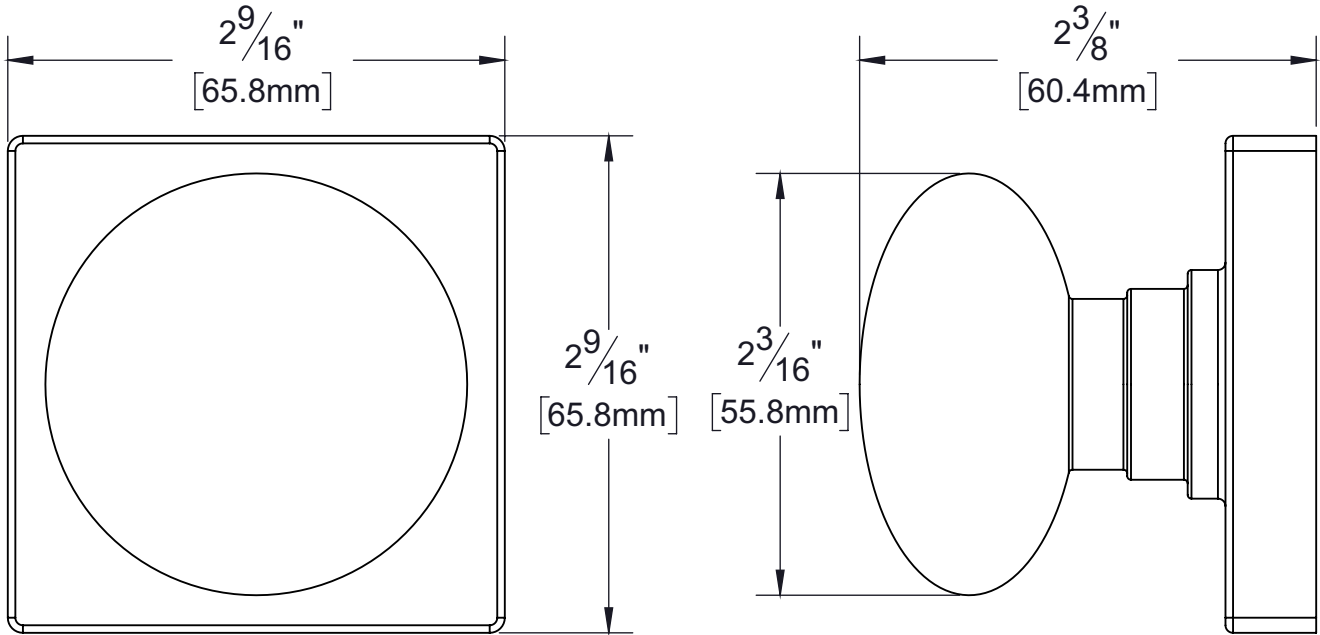


# PRODUCT DATA SHEET

**Product Description:** Dummy door knob. Fabricated from brass with US15 satin nickel finish. Product does not turn or perform a function other than for decorative purposes or as a pull. Surface mounted with 2 exposed mounting screws. Door thickness should be greater than 1". Ships with mounting hardware.



**Overall Size:** 2 9/16" W X 2 9/16" H X 2 3/8" D

**Material:** Brass

**Finish:** US15 Satin Nickel

### Cross Reference

Manufacturer	Part Number



Description:

**Lock Knob, Dummy,  
Kendall**

Part Number:

87822

Date

09/17

Rev.

00

Sheet 1 of 1