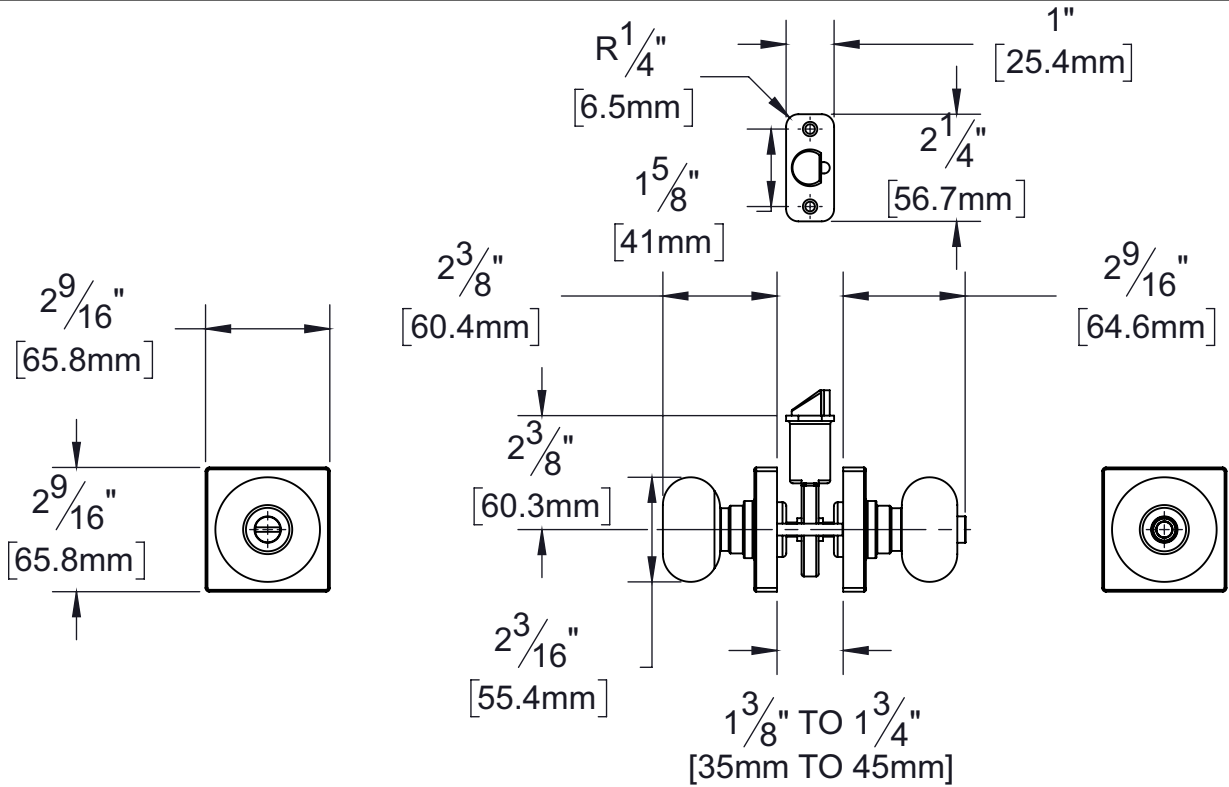


PRODUCT DATA SHEET

Product Description: Privacy Knob, Kendall, ANSI Grade 3. This is a privacy knob for use on doors. It features a cross bore of 2 1/8", an edge bore of 1", and a mortise latch face of 1" x 2 1/4". The knob is made of zinc with a US15 Satin Nickel finish. It is adjustable to fit door thicknesses of 1 3/8" to 1 3/4". The overall size is 2 9/16" W x 2 9/16" H x 2 9/16" D. The backset is adjustable to 2 3/8" or 2 3/4". The strike plate is 2 1/4" full lip. The bolt has a 1/2" throw.



Door Prep: Cross Bore 2 1/8", Edge Bore 1", Mortise Latch Face 1" x 2 1/4", Optional Drive In Latch 1" Diameter Drilled Hole
Latches: Ships With Mortise Latch As Shown Above. Optional Drive In Or UL10C Fire Rated Latches Available
Backset: Adjustable Latch to 2 3/8" or 2 3/4"
Door Thickness: Fit all 1 3/8" - 1 3/4" Standard Doors
Strike Plate: 2 1/4" Full Lip Strike
Bolt: 1/2" Throw



Overall Size: 2 9/16" W X 2 9/16" H X 2 9/16" D		
Material: Zinc		
Finish: US15 Satin Nickel		
Cross Reference		
Manufacturer	Part Number	



Description:		
Privacy Knob, Kendall, ANSI Grade 3		
Part Number:	Date	Rev.
87816	09/17	00
Sheet 1 of 1		