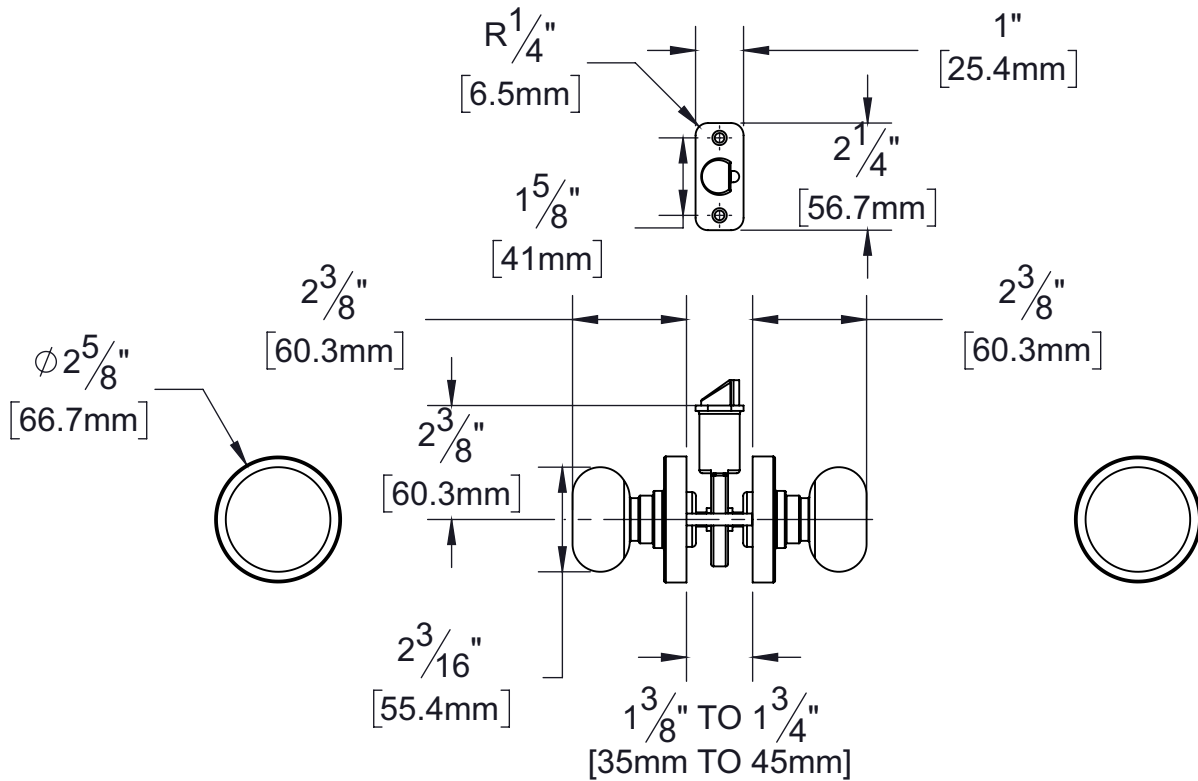


# PRODUCT DATA SHEET

**Product Description:** Passage door knob. ANSI Grade 3. Fabricated from zinc with a US11P venetian bronze finish. Both knobs are always free. Ships with mounting hardware. Lock ships with mortise latch. Optional drive in latch (product #87394) and UL10C fire rated latch (product #87372) available.



**Door Prep:** Cross Bore 2 1/8", Edge Bore 1", Mortise Latch Face 1" x 2 1/4", Optional Drive In Latch 1" Diameter Drilled Hole  
**Latches:** Ships With Mortise Latch As Shown Above. Optional Drive In Or UL10C Fire Rated Latches Available  
**Backset:** Adjustable Latch to 2 3/8" or 2 3/4"  
**Door Thickness:** Fit all 1 3/8" - 1 3/4" Standard Doors  
**Strike Plate:** 2 1/4" Full Lip Strike  
**Bolt:** 1/2" Throw



<b>Overall Size:</b> 2 5/8" W X 2 5/8" H X 2 3/8" D	
<b>Material:</b> Zinc	
<b>Finish:</b> US11P Venetian Bronze	
<b>Cross Reference</b>	
<b>Manufacturer</b>	<b>Part Number</b>



Description:		
<b>Passage Knob, Rio, ANSI Grade 3</b>		
Part Number:	Date	Rev.
<b>87806</b>	09/17	00
Sheet 1 of 1		