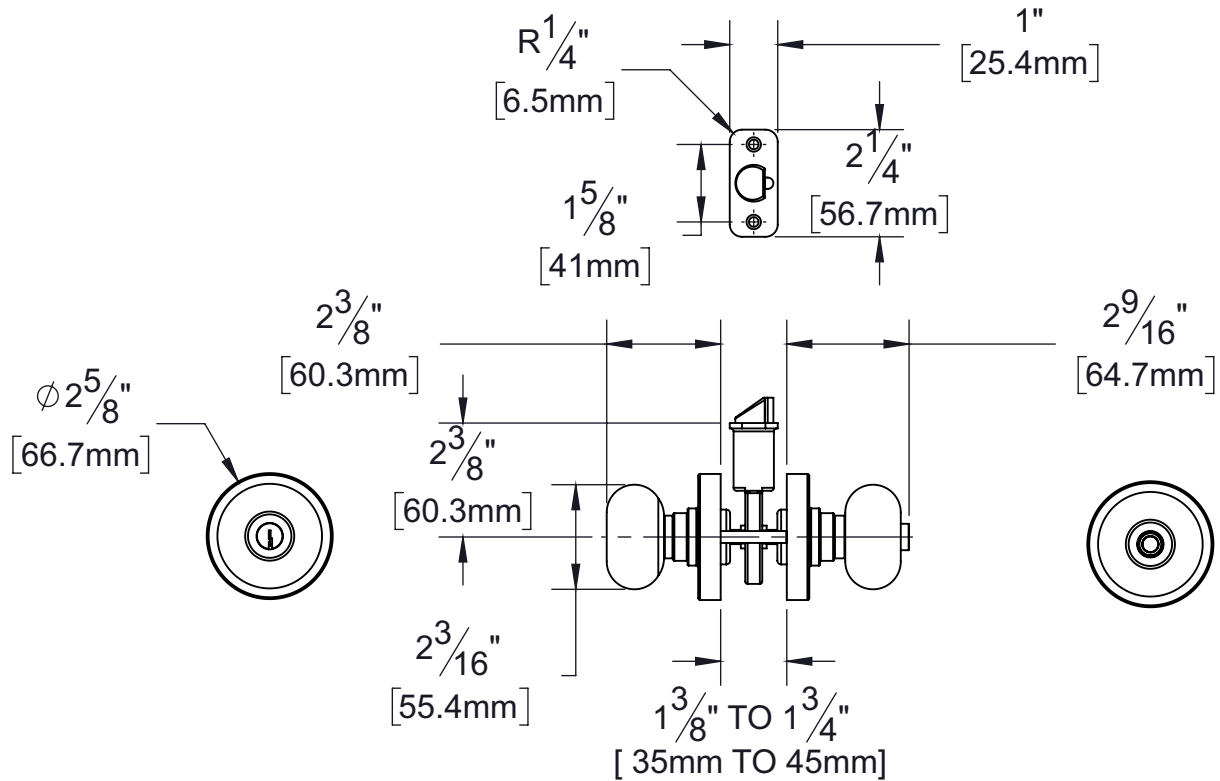


PRODUCT DATA SHEET

Product Description: Entry lock knob. ANSI Grade 3 with a Kwikset KW 1 Keyway. Fabricated from brass with a US15 satin nickel finish. Locked or unlocked by key outside or push button inside. Ships with mounting hardware. Lock ships with mortise latch. Optional drive in latch (product #87392) and UL10C fire rated latch (product #87370) available.



Door Prep: Cross Bore 2 1/8", Edge Bore 1", Mortise Latch Face 1" x 2 1/4", Optional Drive In Latch 1" Diameter Drilled Hole
Latches: Ships With Mortise Latch As Shown Above. Optional Drive In Or UL10C Fire Rated Latches Available
Backset: Adjustable Latch to 2 3/8" or 2 3/4"
Door Thickness: Fit all 1 3/8" - 1 3/4" Standard Doors
Cylinder: Brass with 5 Pin Tumbler Kwikset KW 1 Keyway
Strike Plate: 2 1/4" Full Lip Strike
Bolt: 1/2" Throw

REKEY OPTIONAL



Overall Size: 2 5/8" W X 2 5/8" H X 2 9/16" D

Material: Brass

Finish: US15 Satin Nickel

Cross Reference

Manufacturer	Part Number



Description:

**Lock Knob, Entry,
Rio, KW1, ANSI
Grade 3**

Part Number:

87801

Date

09/17

Rev.

00

Sheet 1 of 1