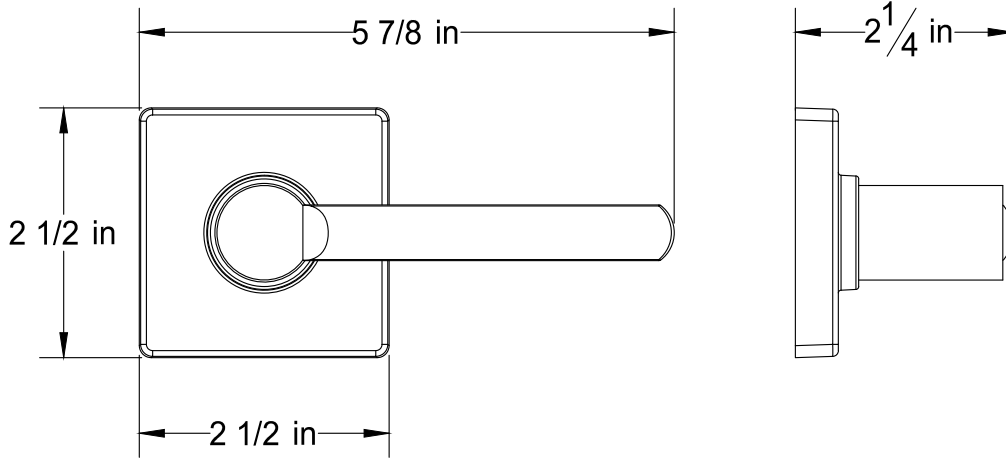


PRODUCT DATA SHEET

Product Description: Contemporary single sided dummy door lever. Lever does not function; acts as a pull. Lever fabricated from die cast zinc with a US19 matte black finish.



Door Thickness: Fits All 1 3/8" - 1 3/4" Standard Doors



Overall Size: 5 7/8" W X 2 1/2" H X 2 1/4" D

Material: Die Cast Zinc Lever

Finish: US19 Matte Black

Cross Reference

Manufacturer	Part Number



Description:

**DOOR LEVER,
DUMMY, HARPER**

Part Number:

87763

Date

Rev.