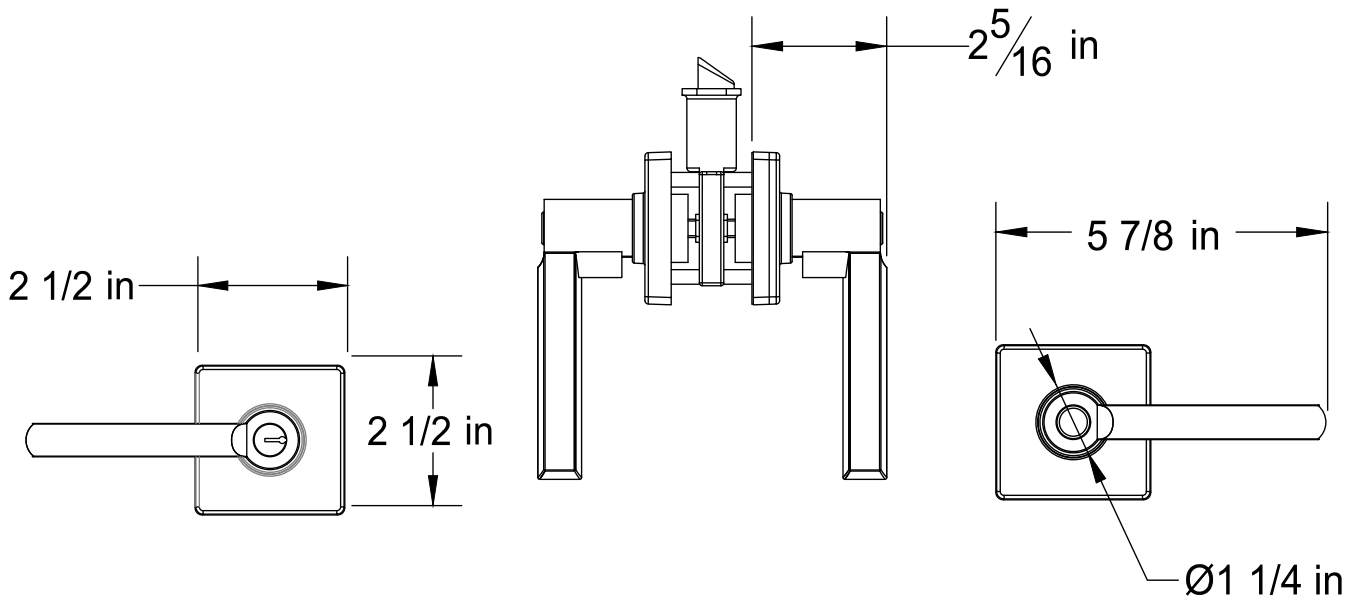


# PRODUCT DATA SHEET

**Product Description:** Contemporary entry function door lever set. ANSI Grade 3 with a Kwikset KW 1 keyway. Fabricated from die cast zinc with US26 bright chrome finish. Locked or unlocked by key outside or push button inside. Ships with mounting hardware. Lock ships with mortise latch. Optional drive in latch (product #87397) and UL10C fire rated latch (product #87526) available.



**Door Prep:** Cross Bore 2 1/8", Edge Bore 1", Mortise Latch Face 1" X 2 1/4", Optional Drive In Latch 1" Diameter Drilled Bore  
**Latches:** Ships With Mortise Latch As Shown Above. Optional Drive In Or UL10C Fire Rated Latches Available  
**Backset:** Adjustable Latch 2 3/8" Or 2 3/4"  
**Door Thickness:** Fits All 1 3/8" - 1 3/4" Standard Doors  
**Cylinder:** Ships With 5 Pin KW1 Cylinder  
**Strike Plate:** 2 1/4" Full Lip Strike  
**Bolt:** 1/2" Throwv

**REKEY OPTIONAL**



**Overall Size:** 5 7/8" W X 2 1/2" H X 2 5/16" D

**Material:** Die Cast Zinc Levers Steel Mechanism

**Finish:** US26 Bright Chrome

**Cross Reference**

Manufacturer	Part Number



Description:

**Door Knob Set, Entry,  
Harper, ANSI Grade 3**

Part Number:

**87755**

Date

Rev.