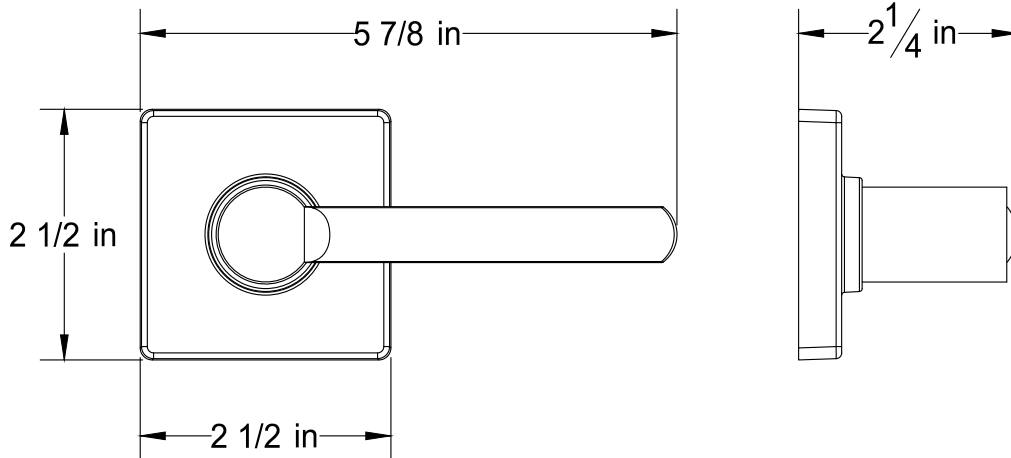


# PRODUCT DATA SHEET

**Product Description:** Contemporary single sided dummy door lever. Lever does not function; acts as a pull. Lever fabricated from die cast zinc with a satin nickel finish.



Door Thickness: Fits All 1 3/8" - 1 3/4" Standard Doors



**Overall Size:** 5 7/8" W X 2 1/2" H X 2 1/4" D

**Material:** Die Cast Zinc Lever

**Finish:** Satin Nickel



### Cross Reference

Manufacturer	Part Number



Description:

## DOOR LEVER, DUMMY, HARPER

Part Number:

# 87742

Date

Rev.