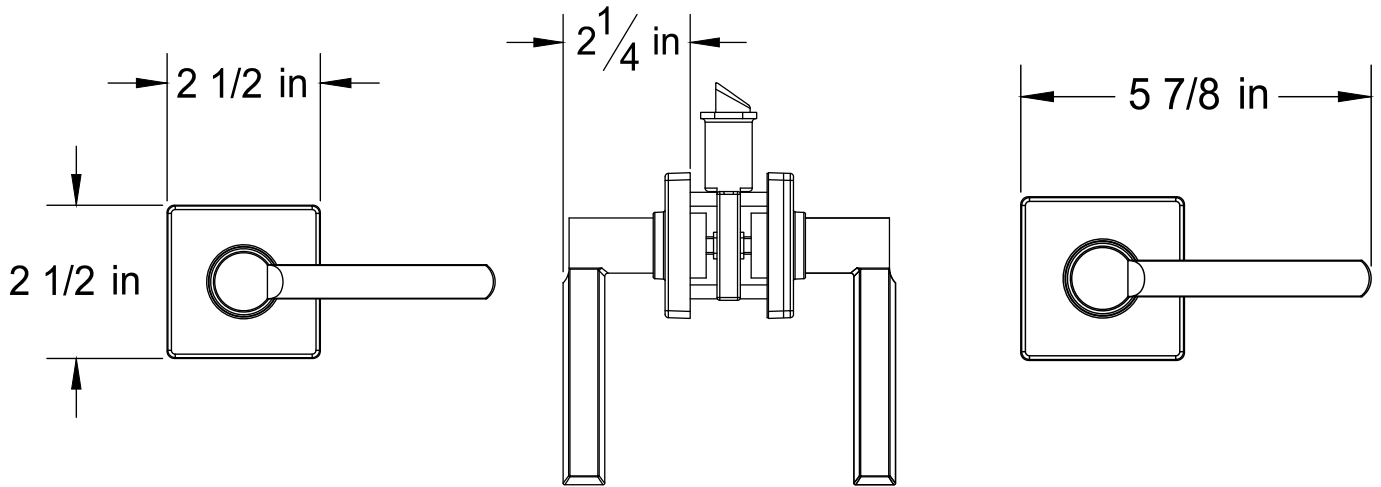


PRODUCT DATA SHEET

Product Description: Contemporary passage function door lever set, ANSI Grade 3 with a Kwikset KW 1 keyway. Fabricated from die cast zinc with US11P venetian bronze finish. Both inside and outside levers always open door. Ships with mounting hardware. Lock ships with mortise latch. Optional drive in latch (product #87398) and UL10C fire rated latch (product #87520) available.



Door Prep: Cross Bore 2 1/8+, Edge Bore 1+, Mortise Latch Face 1+x 2 1/4+, Optional Drive In Latch 1" Diameter Drilled Hole
Latches: Ships With Mortise Latch As Shown Above. Optional Drive In Or UL10C Fire Rated Latches Available
Backset: Adjustable Latch to 2 3/8+ or 2 3/4+
Door Thickness: Fit all 1 3/8+ - 1 3/4+ Standard Doors
Cylinder: Brass with 5 Pin Tumbler Kwikset KW 1 Keyway
Strike Plate: 2 1/4+ Full Lip Strike
Bolt: 1/2+ Throw

REKEY OPTIONAL



Overall Size: 5 7/8" W X 2 1/2" H X 2 1/4" D

Material: Die Cast Zinc Levers Steel Mechanism

Finish: US11P Venetian Bronze

Cross Reference

Manufacturer	Part Number



Description:

**Door Lever, Passage,
Harper, ANSI Grade 3**

Part Number:

87738

Date

Rev.