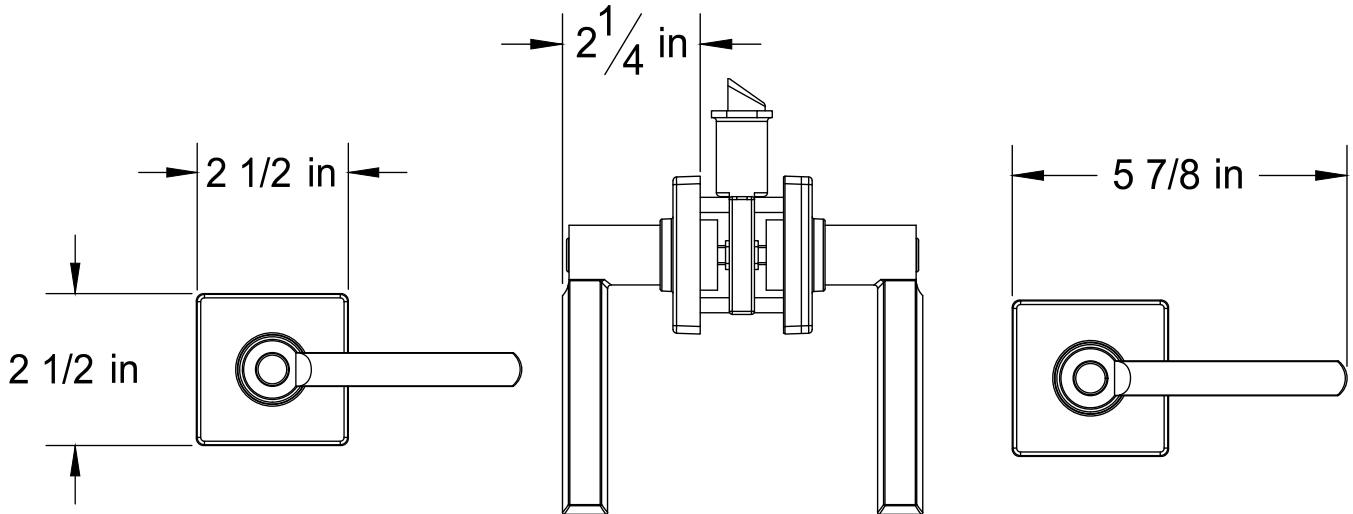


# PRODUCT DATA SHEET

**Product Description:** Contemporary privacy function door lever set. ANSI Grade 3 with a Kwikset KW 1 keyway. Fabricated from die cast zinc with US15 satin nickel finish. Pushbutton latches inside, inside lever operation opens inside latch. Ships with mounting hardware. Lock ships with mortise latch. Optional drive in latch (product #8739) and UL10C fire rated latch (product #871GF) available.



**Door Prep:** Cross Bore 2 1/8+, Edge Bore 1+, Mortise Latch Face 1+x 2 1/4+, Optional Drive In Latch 1" Diameter Drilled Hole

**Latches:** Ships With Mortise Latch As Shown Above. Optional Drive In Or UL10C Fire Rated Latches Available

**Backset:** Adjustable Latch to 2 3/8+ or 2 3/4+

**Door Thickness:** Fit all 1 3/8+ - 1 3/4+ Standard Doors

**Cylinder:** Brass with 5 Pin Tumbler Kwikset KW 1 Keyway

**Strike Plate:** 2 1/4+ Full Lip Strike

**Bolt:** 1/2+ Throw

**REKEY OPTIONAL**



**Overall Size:** 5 7/8" W X 2 1/2" H X 2 1/4" D

**Material:** Die Cast Zinc Levers Steel Mechanism

**Finish:** US15 Satin Nickel

### Cross Reference

Manufacturer	Part Number



Description:

**Door Lever Set, Privacy,  
Harper, ANSI Grade 3**

Part Number:

**87736**

Date

Rev.