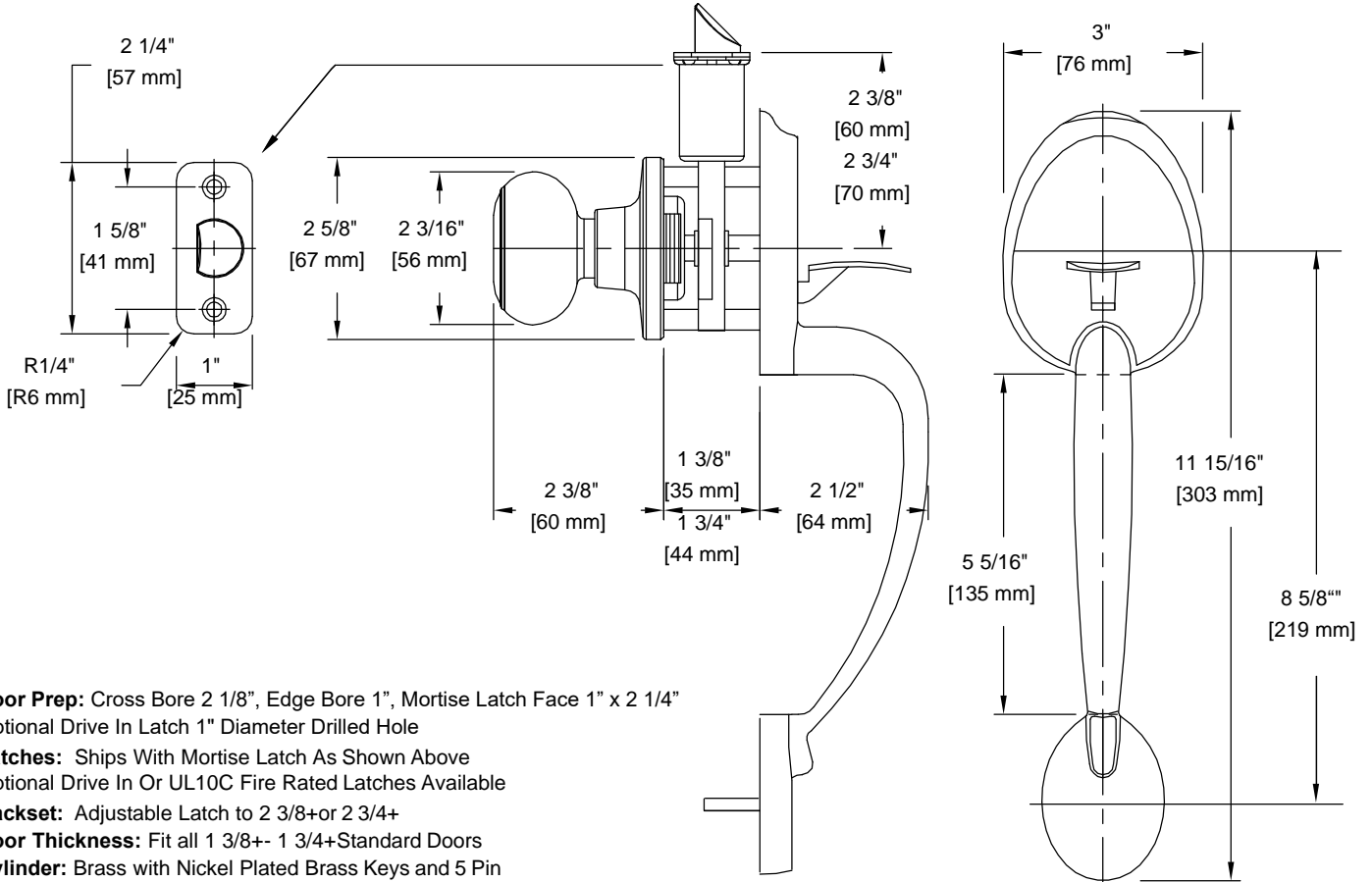


PRODUCT DATA SHEET

Product Description: Entry set, ANSI Grade 3. Set includes passage pull with thumb latch, interior knob. Pull manufactured from die cast zinc with a US26 bright chrome finish. Ships with mounting hardware. Lock ships with mortise latch. Optional drive in latches (product #87396 and #87394) and UL10C fire rated latches (product #87374 and #87373) available.



Door Prep: Cross Bore 2 1/8", Edge Bore 1", Mortise Latch Face 1" x 2 1/4"
Optional Drive In Latch 1" Diameter Drilled Hole

Latches: Ships With Mortise Latch As Shown Above
Optional Drive In Or UL10C Fire Rated Latches Available

Backset: Adjustable Latch to 2 3/8+ or 2 3/4+

Door Thickness: Fit all 1 3/8+ - 1 3/4+ Standard Doors

Cylinder: Brass with Nickel Plated Brass Keys and 5 Pin

Tumbler Kwikset KW1 Keyway

Strike Plate: 2 1/4+ Full Lip Strike

Bolt: 1/2" Throw

REKEY OPTIONAL

Optional Latch Available

ANSI 3

KW1 KEYWAY

Overall Size: 3" W X 11 15/16" H X 2 1/2" D

Material: Zinc

Finish: US26 Bright Chrome

Cross Reference

Manufacturer	Part Number



Description:

Callista Entry Set with Interior Knob, KW1, ANSI Grade 3

Part Number:

87732

Date

01/21

Rev.

02

Sheet 1 of 1