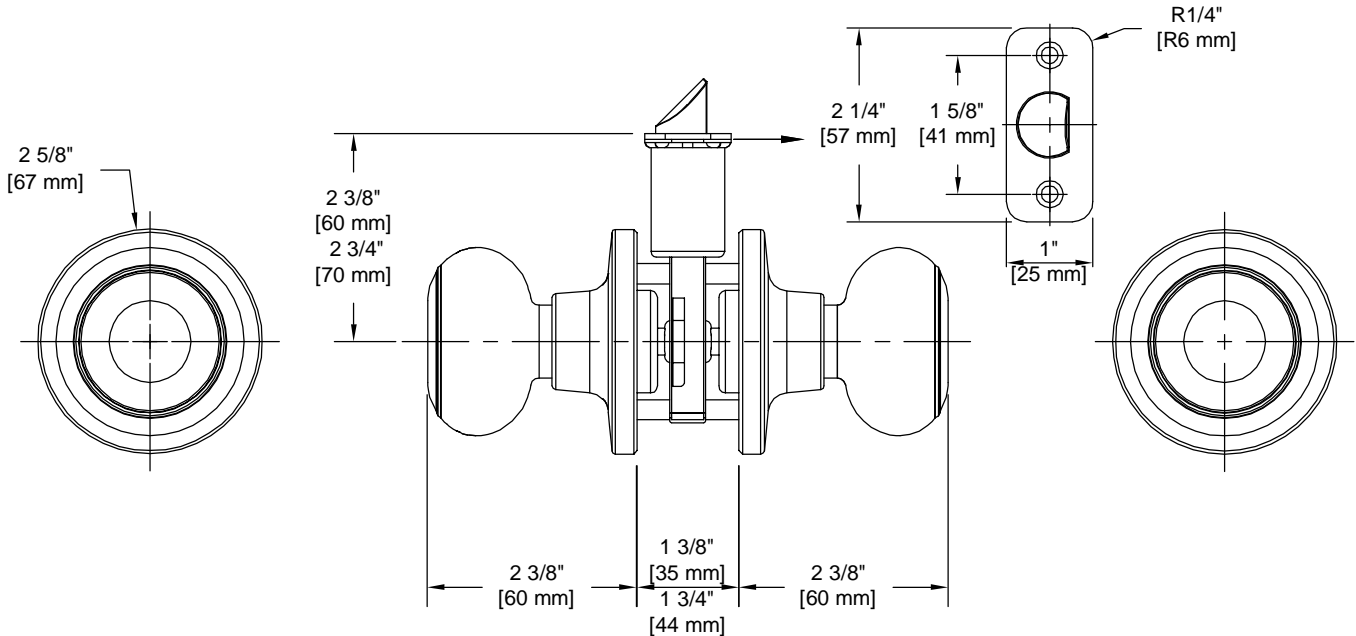


# PRODUCT DATA SHEET

**Product Description:** Passage door knob. ANSI Grade 3. Fabricated from brass with a US26 bright chrome finish. Both levers are always free. Ships with mounting hardware. Lock ships with mortise latch. Optional drive in latch (product #87394) and UL10C fire rated latch (product #87373) available.



**Door Prep:** Cross Bore 2 1/8+, Edge Bore 1+, Mortise Latch Face 1+x 2 1/4+, Optional Drive In Latch 1" Diameter Drilled Hole  
**Latches:** Ships With Mortise Latch As Shown Above. Optional Drive In Or UL10C Fire Rated Latches Available  
**Backset:** Adjustable Latch to 2 3/8+or 2 3/4+  
**Door Thickness:** Fit all 1 3/8+- 1 3/4+Standard Doors  
**Strike Plate:** 2 1/4+Full Lip Strike  
**Bolt:** 1/2+Throw



**Overall Size:** 2 5/8" W X 2 5/8" H X 2 3/4" D

**Material:** Brass

**Finish:** US26 Bright Chrome

### Cross Reference

Manufacturer	Part Number



Description:  
**Passage Knob, Callista,  
 ANSI Grade 3**

Part Number: <b>87725</b>	Date: 11/16	Rev. 01
Sheet 1 of 1		