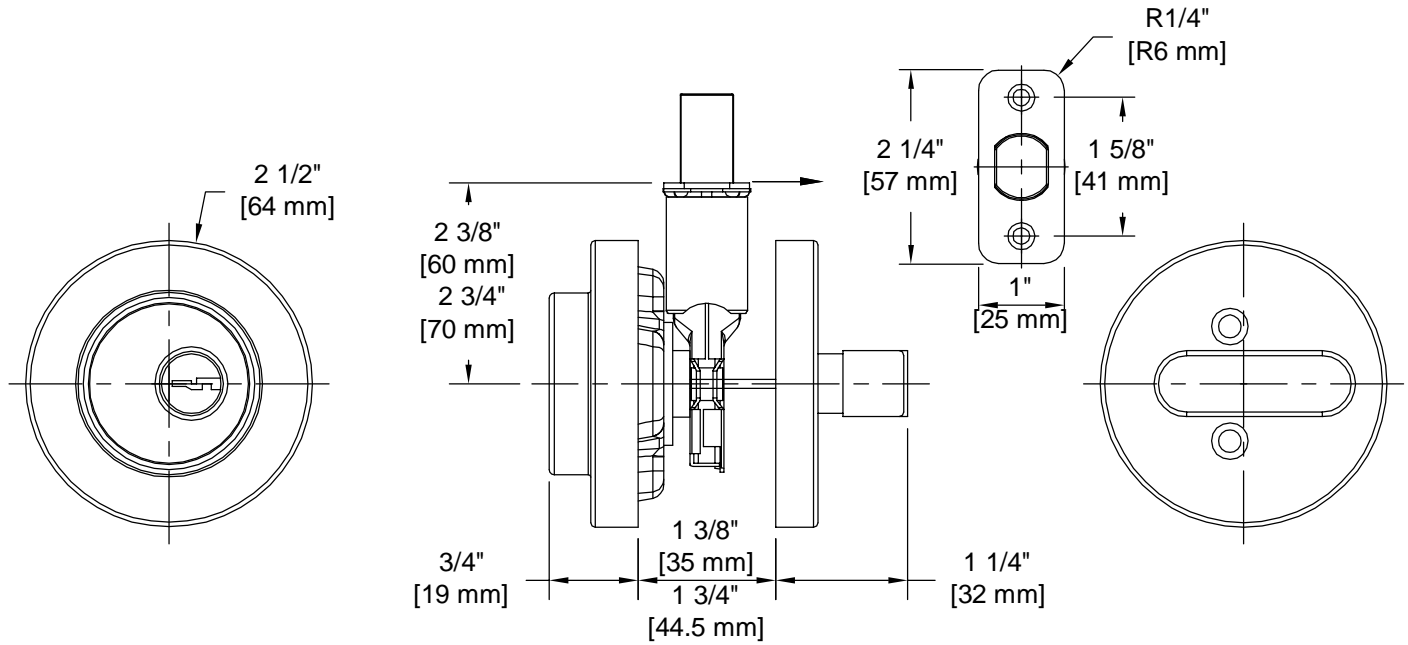


PRODUCT DATA SHEET

Product Description: Dead bolt door lock, keyed single cylinder. ANSI Grade 3 dead bolt with a Kwikset KW 1 solid brass keyway. Body fabricated from zinc with a US19 matte black finish. Internal mechanism fabricated from hardened steel with a zinc dichromate corrosion preventive finish. Key opens outside, thumbscrew turn opens inside. Ships with mounting hardware. Lock ships with mortise latch. Optional drive in and UL10C fire rated latches available.



Door Prep: Cross Bore 2 1/8+, Edge Bore 1+, Mortise Latch Face 1+x 2 1/4+, Optional Drive In Latch 1" Diameter Drilled Hole
Latches: Ships With Mortise Latch As Shown Above. Optional Drive In Or UL10C Fire Rated Latches Available
Backset: Adjustable Latch to 2 3/8+or 2 3/4+
Door Thickness: Fit all 1 3/8+- 1 3/4+Standard Doors
Cylinder: Brass with Nickel Plated Brass Keys and 5 Pin Tumbler Kwikset KW1 Keyway
Strike Plate: 2 1/4+Full Lip Strike
Bolt: 1+Throw

REKEY OPTIONAL



Overall Size: 2 1/2" W X 2 1/2" H X 1 1/4" D

Material: Zinc

Finish: US19 Matte Black

Cross Reference

Manufacturer	Part Number



Description: **Dead Bolt, Single Cylinder, Keyed, Contemporary**

Part Number:	87626	Date	07/17	Rev.	01
Sheet 1 of 1					