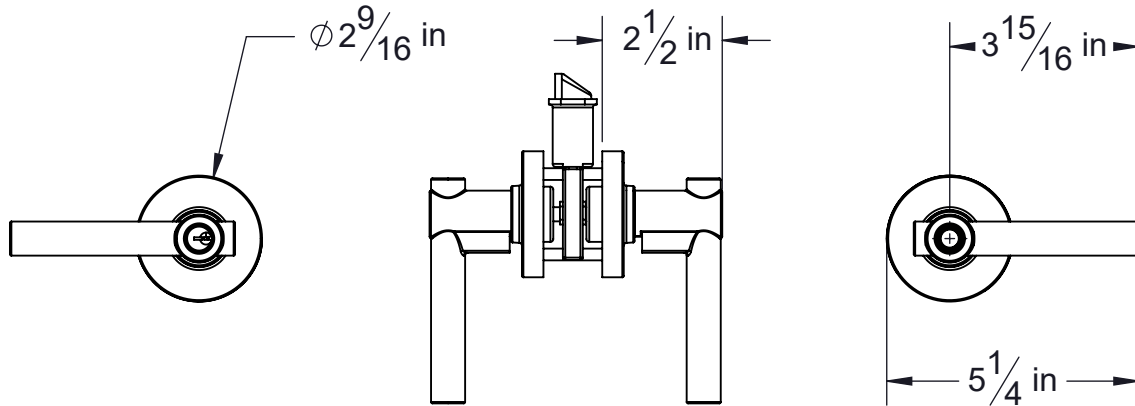


# PRODUCT DATA SHEET

**Product Description:** Contemporary entry function door lever set. Key opens outside with inside pushbutton. Fabricated with die cast zinc levers and steel mechanism with a US26 bright chrome finish. Ships with a 5-pin KW1 cylinder and mortise latch (not drive in); ANSI Grade 3, ADA Compliant; 5-year mechanical and finish warranty.



Door Preparation: Cross Bore 2 1/8", Edge Bore 1", Mortise Latch Face 1" X 2 1/4", Optional Drive In Latch Requires 1" Diameter Edge Bore

Latches: Ships With Mortise Latch As Shown Above. Optional Drive In Or UL10C Fire Rated Latches Available

Backset: Adjustable Latch 2 3/8" Or 2 3/4"

Door Thickness: Fits All 1 3/8" - 1 3/4" Standard Doors

Strike Plate: 2 1/4" Full Lip Strike

Bolt: 1/2" Throw

Cylinder: Ships With 5 Pin KW1 Cylinder; 5 Pin SC Cylinder Available

**WE REKEY**

**ANSI 3**

**KW1 KEYWAY**

**ADA**

**Overall Size:** 5 1/4" W X 2 9/16" H X 2 1/2" D

**Material:** Die Cast Zinc Levers Steel Mechanism

**Finish:** US26 Bright Chrome

**Cross Reference**

Manufacturer	Part Number



Description:

**Door Knob Set, Entry, Riley, ANSI Grade 3**

Part Number:

**87625**

Date

Rev.

Sheet 1 of 1