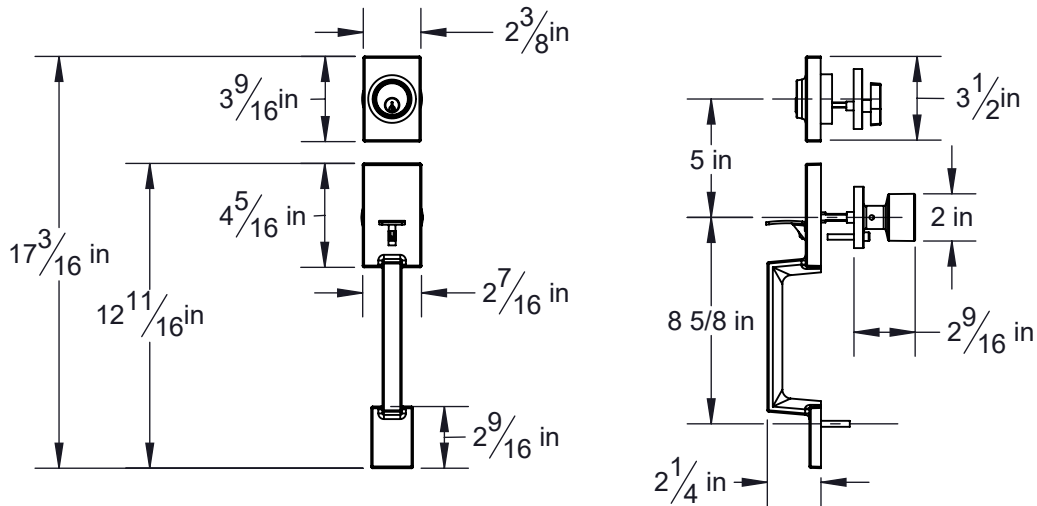


PRODUCT DATA SHEET

Product Description: Contemporary style handleset, ANSI Grade 3. Includes exterior pull and thumb latch with an interior knob with a US11P Venetian bronze finish. Handleset ships with mortise latches. Optional drive in and UL10C fire rated latches available.



Door Preparation: Cross Bore 2 1/8", Center To Center 5 1/2", Edge Bore 1", Mortise Latch Face 1" X 2 1/4" X 1/4" Radius, Optional Drive In Latches Require 1" Diameter Edge Bores
 Latches: Ships With Mortise Latches As Shown Above. Optional Drive In Or UL10C Fire Rated Latches Available

Backset: Adjustable Latch 2 3/8" Or 2 3/4"

Door Thickness: Fits All 1 3/8" - 1 3/4" Standard Doors

Strike Plates: 2 1/4" Full Lip Strikes

Bolt: 1/2" Throw

Deadbolt: 1" Throw

Cylinder: 5 Pin KW1 Standard, Optional 5 Pin SC Keyway Available

WE REKEY



Overall Size: 2 7/16" W X 17 3/16" H X 2 1/4" D

Material: Brass Knob, Die Cast Zinc Handle, Steel Mechanism

Finish: US11P Venetian Bronze

Cross Reference

Manufacturer	Part Number



Description:

**Brooklyn Handleset
 With Interior Knob,
 KW1, ANSI Grade 3**

Part Number:

87410

Date

Rev.