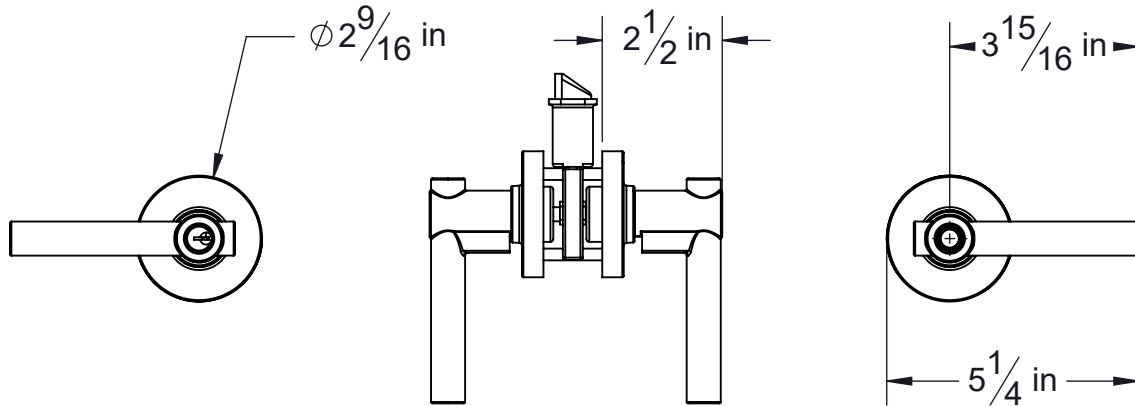


PRODUCT DATA SHEET

Product Description: Contemporary entry function door lever set. Key opens outside with inside pushbutton. Fabricated with die cast zinc levers and steel mechanism with a US11P Venetian bronze finish. Ships with a 5-pin KW1 cylinder and mortise latch (not drive in); ANSI Grade 3, ADA Compliant; 5-year mechanical and finish warranty.



Door Preparation: Cross Bore 2 $\frac{1}{8}$ " , Edge Bore 1" , Mortise Latch Face 1" X 2 $\frac{1}{4}$ " , Optional Drive In Latch Requires 1" Diameter Edge Bore

Latches: Ships With Mortise Latch As Shown Above. Optional Drive In Or UL10C Fire Rated Latches Available

Backset: Adjustable Latch 2 $\frac{3}{8}$ " Or 2 $\frac{3}{4}$ "

Door Thickness: Fits All 1 $\frac{3}{8}$ " - 1 $\frac{3}{4}$ " Standard Doors

Strike Plate: 2 $\frac{1}{4}$ " Full Lip Strike

Bolt: 1/2" Throw

Cylinder: Ships With 5 Pin KW1 Cylinder; 5 Pin SC Cylinder Available

WE REKEY

ANSI 3

KW1 KEYWAY

ADA

Overall Size: 5 $\frac{1}{4}$ " W X 2 $\frac{9}{16}$ " H X 2 $\frac{1}{2}$ " D

Material: Die Cast Zinc Levers Steel Mechanism

Finish: US11P Venetian Bronze

Cross Reference

Manufacturer

Part Number



Description:

**Door Knob Set, Entry,
Riley, ANSI Grade 3**

Part Number:

87386

Date

Rev.

Sheet 1 of 1