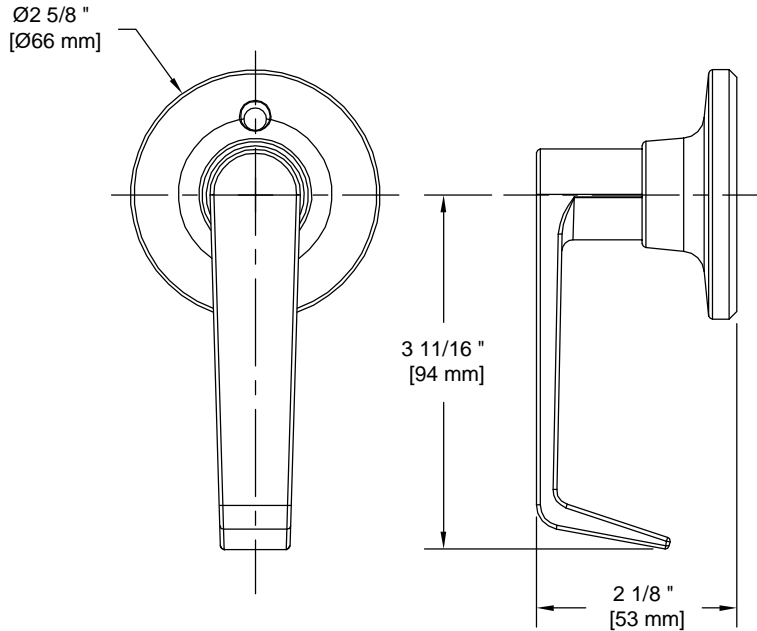


PRODUCT DATA SHEET

Product Description: Dummy door lever. Fabricated from die cast zinc with a US15 satin nickel finish. Product does not turn or perform a function other than for decorative purposes or as a pull. Surface mounted with 2 exposed mounting screws. Door thickness should be greater than 1+. Ships with mounting hardware.



Overall Size: 5" W X 2 5/8" H X 2 1/8" D

Material: Die Cast Zinc

Finish: US15 Satin Nickel

Cross Reference

Manufacturer	Part Number



Description:

**Lock Lever, Dummy,
Reversible, Largo**

Part Number:

87383

Date

09/16

Rev.

03

Sheet 1 of 1