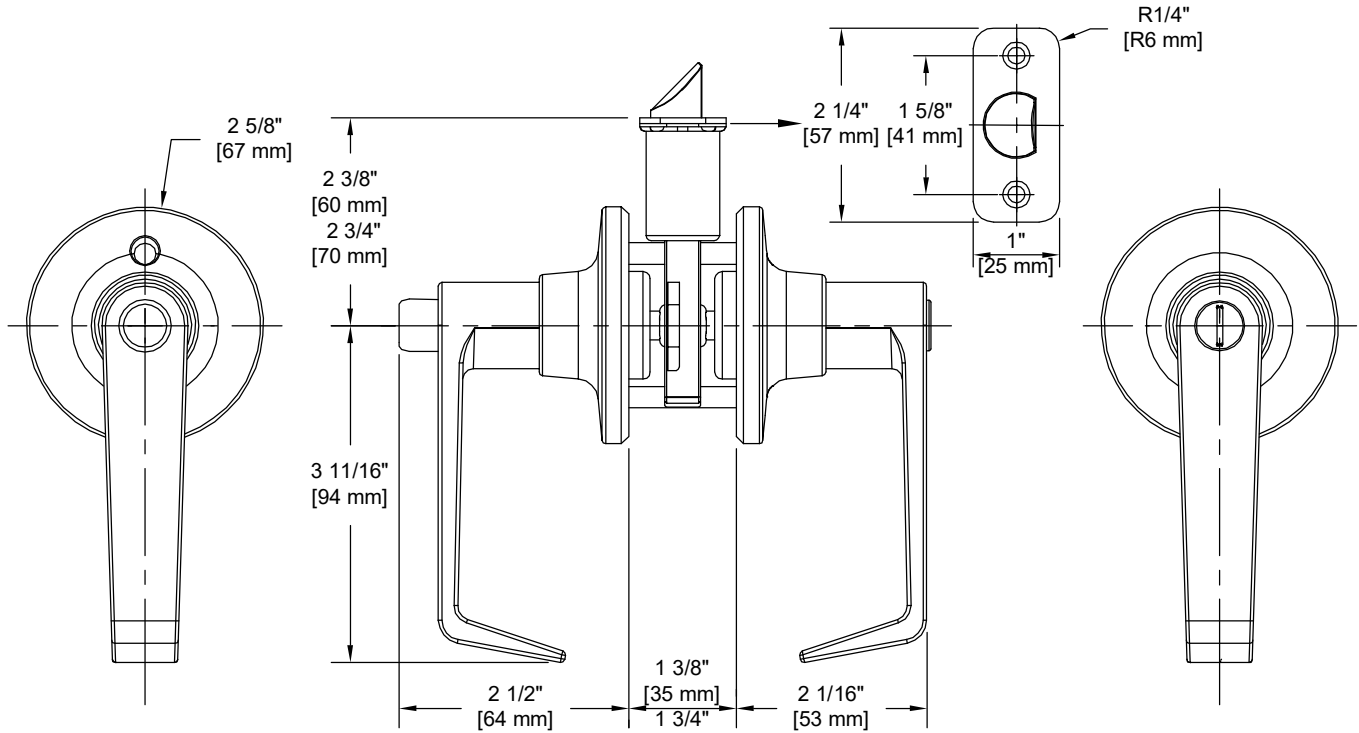


# PRODUCT DATA SHEET

**Product Description:** Privacy lever, reversible. ANSI Grade 3 with a Kwikset KW 1 keyway. Fabricated from die cast zinc with US15 satin nickel finish. Locked or unlocked by a push button inside. Ships with mounting hardware. Lock ships with mortise latch. Optional drive in latch (product #87394) and UL10C fire rated latch (product #87373) available.



**Door Prep:** Cross Bore 2 1/8", Edge Bore 1", Mortise Latch Face 1" x 2 1/4", Optional Drive In Latch 1" Diameter Drilled Hole  
**Latches:** Ships With Mortise Latch As Shown Above. Optional Drive In Or UL10C Fire Rated Latches Available  
**Backset:** Adjustable Latch to 2 3/8" or 2 3/4"  
**Door Thickness:** Fit all 1 3/8" - 1 3/4" Standard Doors  
**Strike Plate:** 2 1/4" Full Lip Strike  
**Bolt:** 1/2" Throw



**Overall Size:** 5" W X 2 5/8" H X 2 1/2" D

**Material:** Die Cast Zinc

**Finish:** US15 Satin Nickel

### Cross Reference

Manufacturer	Part Number



Description:

**Privacy Lever, Reversible,  
Largo, ANSI Grade 3**

Part Number:

**87381**

Date

09/16

Rev.

04

Sheet 1 of 1