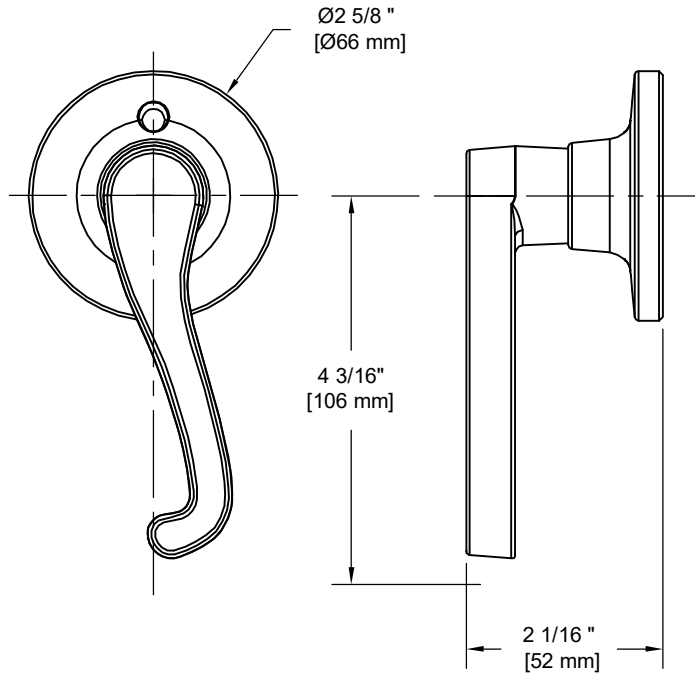


PRODUCT DATA SHEET

Product Description: Dummy door lever, right handed. Fabricated from die cast zinc with a US15 satin nickel finish. Product does not turn or perform a function other than for decorative purposes or as a pull. Surface mounted with 2 exposed mounting screws. Door thickness should be greater than 1". Ships with mounting hardware.



Overall Size: 5 1/2" W X 2 5/8" H X 2 1/16" D

Material: Die Cast Zinc

Finish: US15 Satin Nickel

Cross Reference

Manufacturer	Part Number



Description:

**Lock Lever, Dummy,
Right Handed, Sage**

Part Number:

87362

Date

09/16

Rev.

02

Sheet 1 of 1