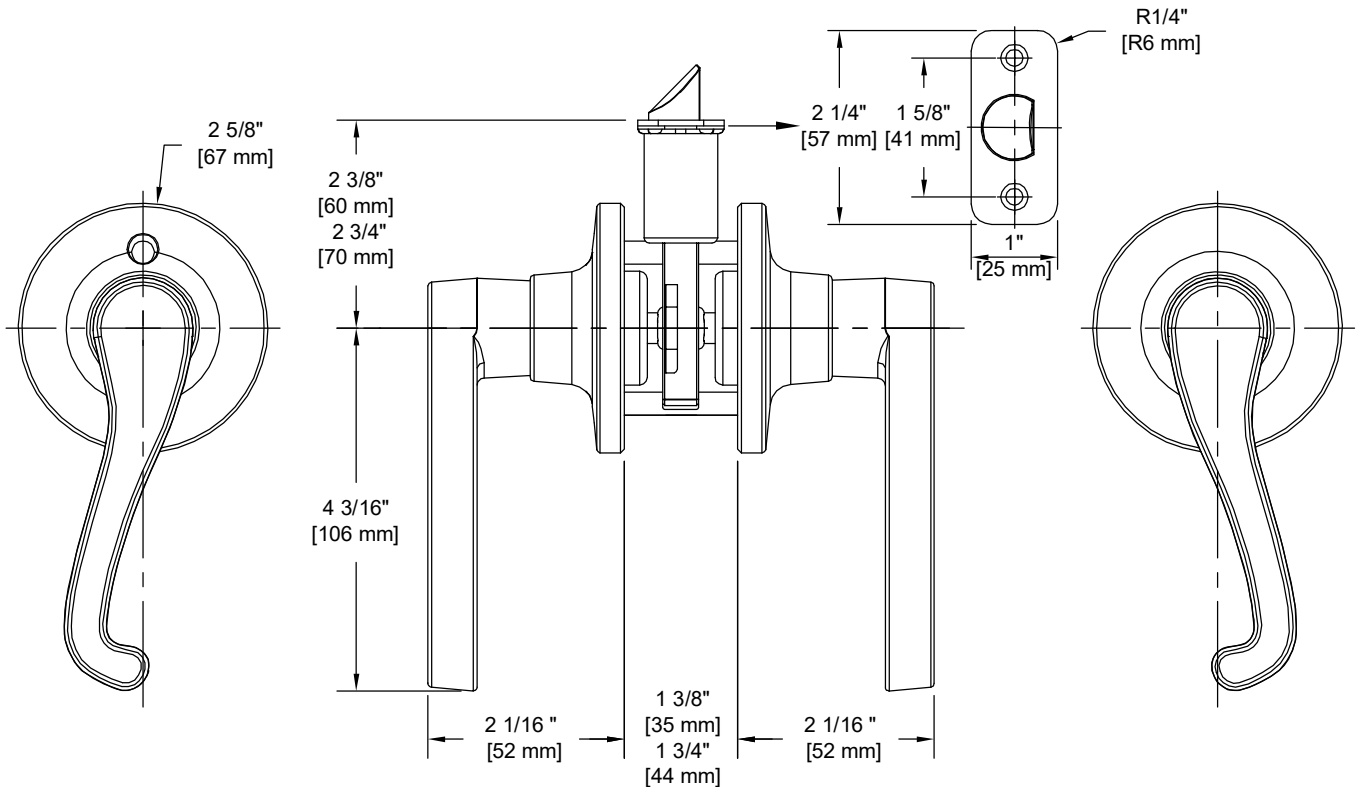


PRODUCT DATA SHEET

Product Description: Passage door lever, reversible. ANSI Grade 3. Fabricated from zinc with a US11P venetian bronze finish. Both levers are always free. Ships with mounting hardware. Lock ships with mortise latch. Optional drive in latch (product #87394) and UL10C fire rated latch (product #87372) available.



Door Prep: Cross Bore 2 1/8", Edge Bore 1", Mortise Latch Face 1" x 2 1/4", Optional Drive In Latch 1" Diameter Drilled Hole
Latches: Ships With Mortise Latch As Shown Above. Optional Drive In Or UL10C Fire Rated Latches Available
Backset: Adjustable Latch to 2 3/8" or 2 3/4"
Door Thickness: Fit all 1 3/8" - 1 3/4" Standard Doors
Strike Plate: 2 1/4" Full Lip Strike
Bolt: 1/2" Throw



Overall Size: 5 1/2" W X 2 5/8" H X 2 5/16" D

Material: Zinc

Finish: US11P Venetian Bronze

Cross Reference

Manufacturer	Part Number



Description:

**Passage Lever, Reversible,
Sage, ANSI Grade 3**

Part Number:

87337

Date

09/16

Rev.

03

Sheet 1 of 1