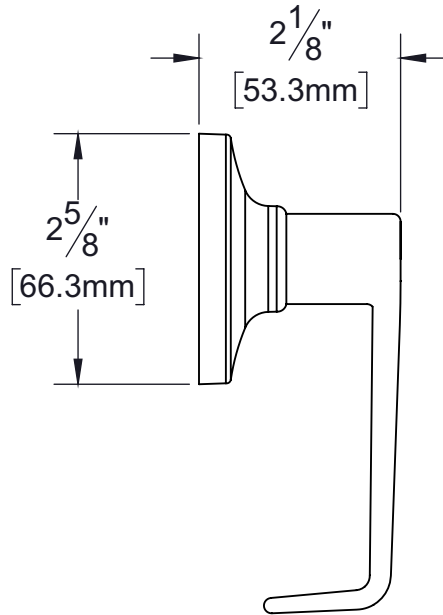


PRODUCT DATA SHEET

Product Description: Lock lever, dummy, reversible. Handle is fabricated from zinc and escutcheon is fabricated from stainless steel in a US26D satin chrome finish. Product does not turn or perform a function other than for decorative purposes or as a pull. Surface mounted with concealed mounting screws. ADA compliant. Ships with mounting hardware.



Overall Size: 6 13/32" W X 3 11/32" H X 3 1/8" D

Material: Zinc Handle, Stainless Steel Escutcheon

Finish: US26D Satin Chrome

Cross Reference

Manufacturer	Part Number



Description:

Lock Lever, Dummy, Reversible

Part Number:

86607

Date

09/17

Rev.

00