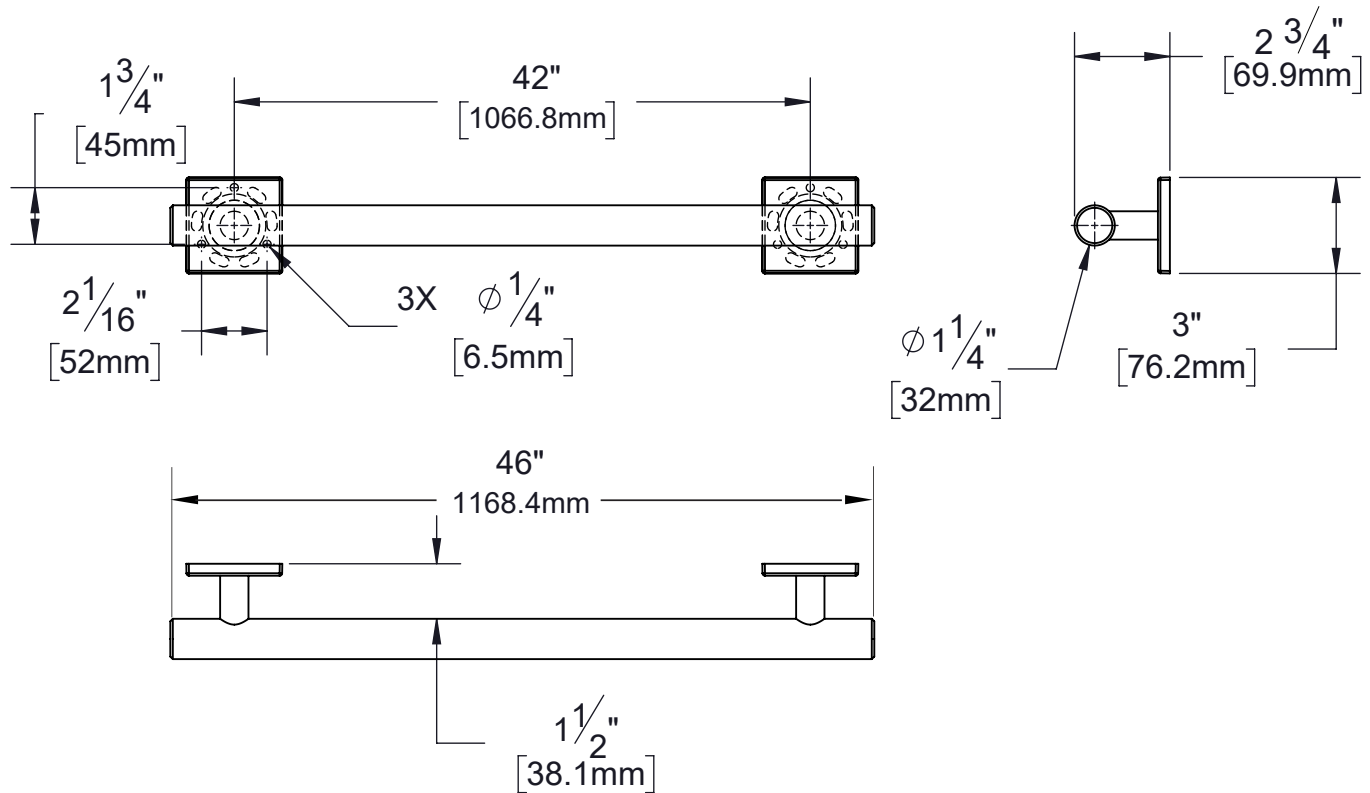


PRODUCT DATA SHEET

Product Description: Contemporary / modern grab bar, 42" long (measured center to center of mounting brackets) with square escutcheons and 1 1/4" diameter tube. Fabricated from 18-gauge type 304 grade stainless steel with a satin stainless steel finish. ADA compliant and designed to support loads in excess of 250 lbs. when properly installed by bolting into wall studs. Ships with mounting hardware.



WITH MOUNTING HARDWARE ADA 304 STAINLESS

Overall Size: 46" W X 2 3/4" H X 3" D

Material: 304 Grade Stainless Steel

Finish: US32D Brushed Stainless Steel

Cross Reference

Manufacturer	Part Number



Description:

Contemporary / Modern Grab Bar, 42", Square Escutcheon, Concealed Screw

Part Number:

71852

Date

11/19

Rev.

00

Sheet 1 of 1