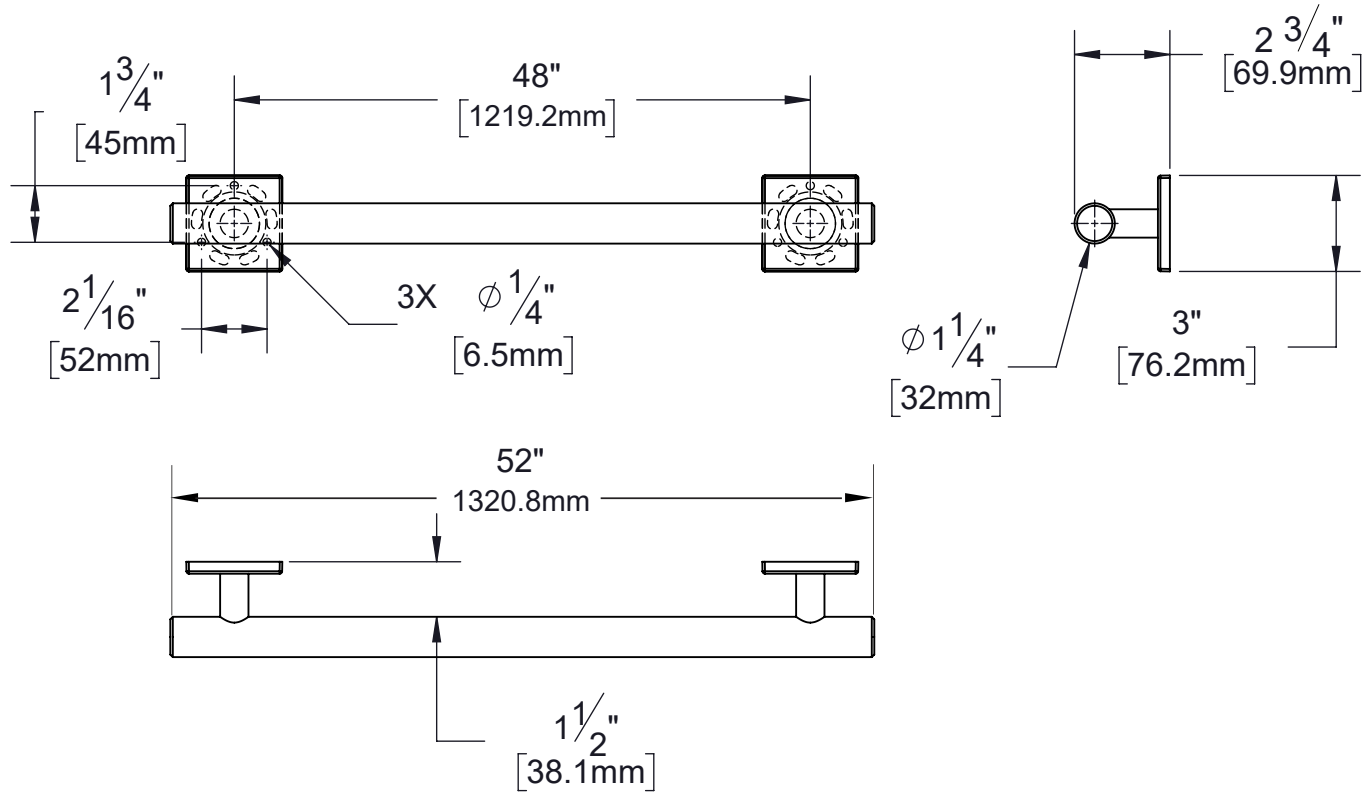


PRODUCT DATA SHEET

Product Description: Contemporary / modern grab bar, 48" long (measured center to center of mounting brackets) with square escutcheons and 1 1/4" diameter tube. Fabricated from 18-gauge type 304 grade stainless steel with a polished stainless steel finish. ADA compliant and designed to support loads in excess of 250 lbs. when properly installed by bolting into wall studs. Ships with mounting hardware.



WITH MOUNTING HARDWARE
ADA
304 STAINLESS

Overall Size: 52" W X 2 3/4" H X 3" D

Material: 304 Grade Stainless Steel

Finish: US32 Polished Stainless Steel

Cross Reference

Manufacturer	Part Number



Description:
Contemporary / Modern Grab Bar, 48", Square Escutcheon, Concealed Screw

Part Number:	71846	Date	11/19	Rev.	00
Sheet 1 of 1					