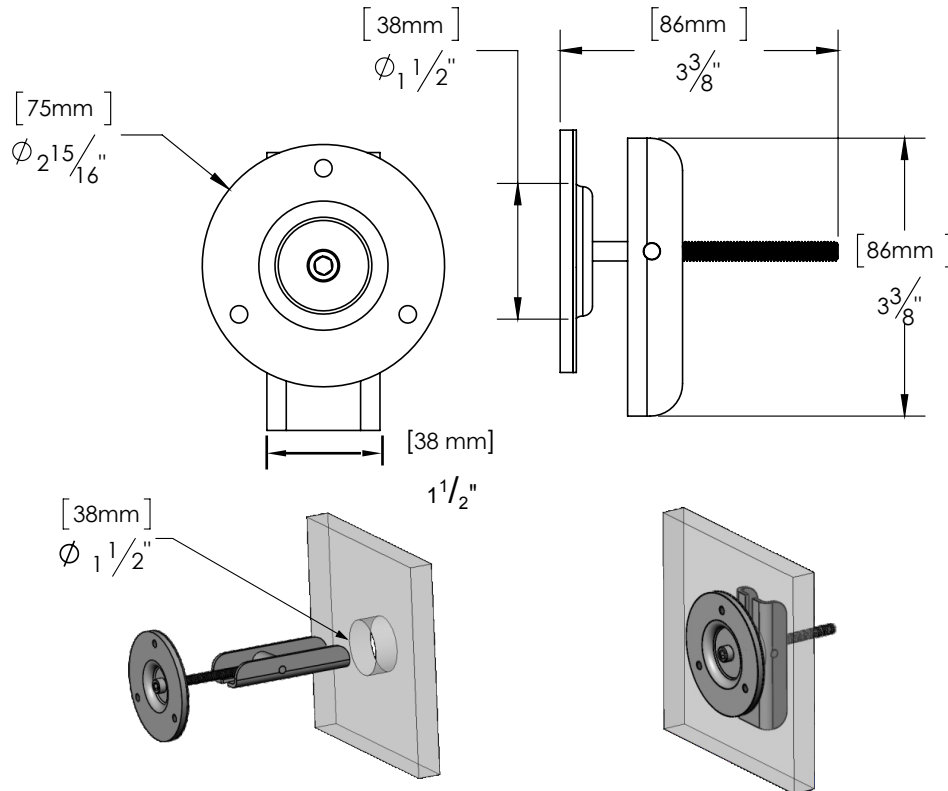


# PRODUCT DATA SHEET

**Product Description:** Grab bar mounting brackets, fabricated from 304 stainless steel with US10B powder coated bronze finish. Use to install with Harney Hardware grab bars only (sold separately). Hold maximum 350 lbs on ASTM C 1396 standard 5/8" thick sheetrock or sheetrock substrate. Minimum void space behind sheetrock or sheetrock substrate shall be no less than 3 1/2". Wood studs to which the sheetrock or sheetrock substrate is affixed shall be solid, non-deteriorated pine or harder wood with minimum dimensions of 1 1/2" thick by 3 1/2" wide. Center to center distance between wood studs shall be a minimum of 16". Fasteners used to affix sheetrock or sheetrock substrate shall be bungle head, course thread, #8, 2" or longer sheetrock screws. Minimum distance between fasteners used to affix sheetrock to wood studs shall not be less than 8". 1 1/2" hole needs to be drilled on the sheetrock. To allow for appropriate mounting bracket clearance holes drilled must be a minimum of 3" from the center of structural wall studs. All mounting hardware included. For residential use only. For commercial use, please call 800-942-7639.



**Overall Size:** 1" W X 1" H X 1" D

**Material:** 304 Stainless Steel

**Finish:** US10B Powder Coated Bronze

**Cross Reference**

Manufacturer	Part Number



Description:

## Grab Bar Mounting Brackets

Part Number:	<b>71833</b>	Date	Rev.
Sheet 1 of 1			