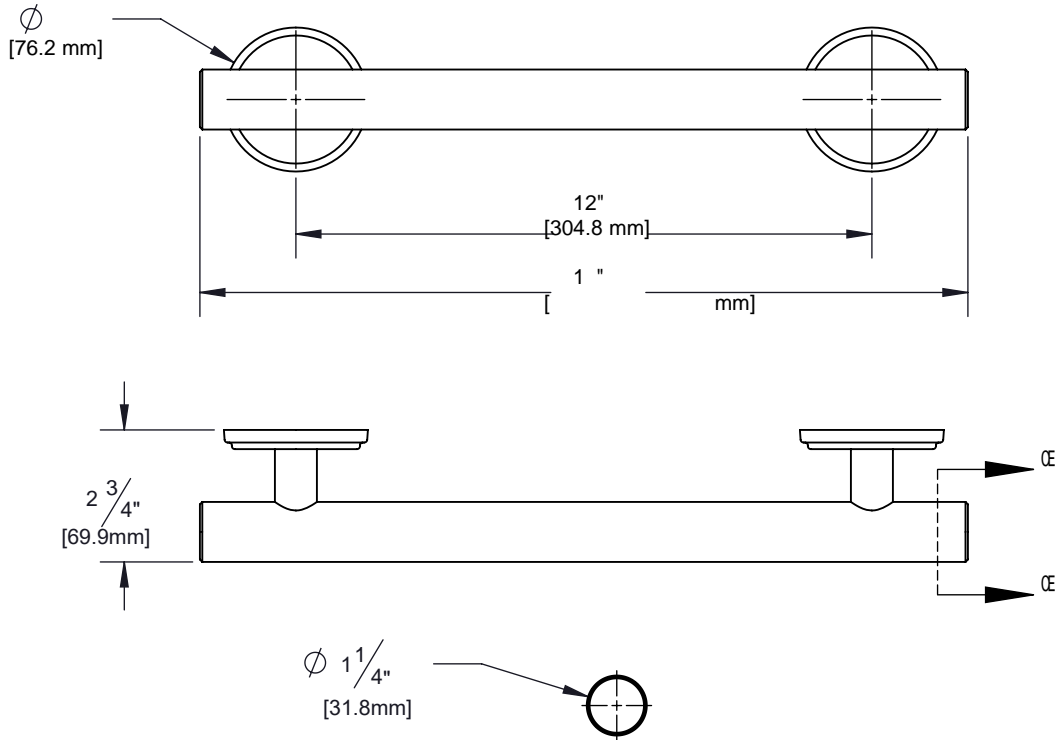


PRODUCT DATA SHEET

Product Description: Contemporary 12" grab bar (measured center to center of mounting brackets) with 1 1/4" diameter tube. Fabricated from 18-gauge, type 304 grade stainless steel with a US32 polished stainless steel finish. Welded, type 304 stainless steel mounting flanges. ADA compliant and designed to support loads in excess of 250 lbs when properly installed. For your safety, we recommend that a professional installer or licensed contractor performs the grab bar installation. Ships with mounting hardware.



304 STAINLESS



Overall Size: 16" W X 3" H X 2 3/4" D

Material: 304 Grade Stainless Steel

Finish: Polished Stainless Steel

Cross Reference

Manufacturer	Part Number



Description:

**Contemporary Grab Bar,
12" Concealed Screw**

Part Number:

71810

Date

Rev.