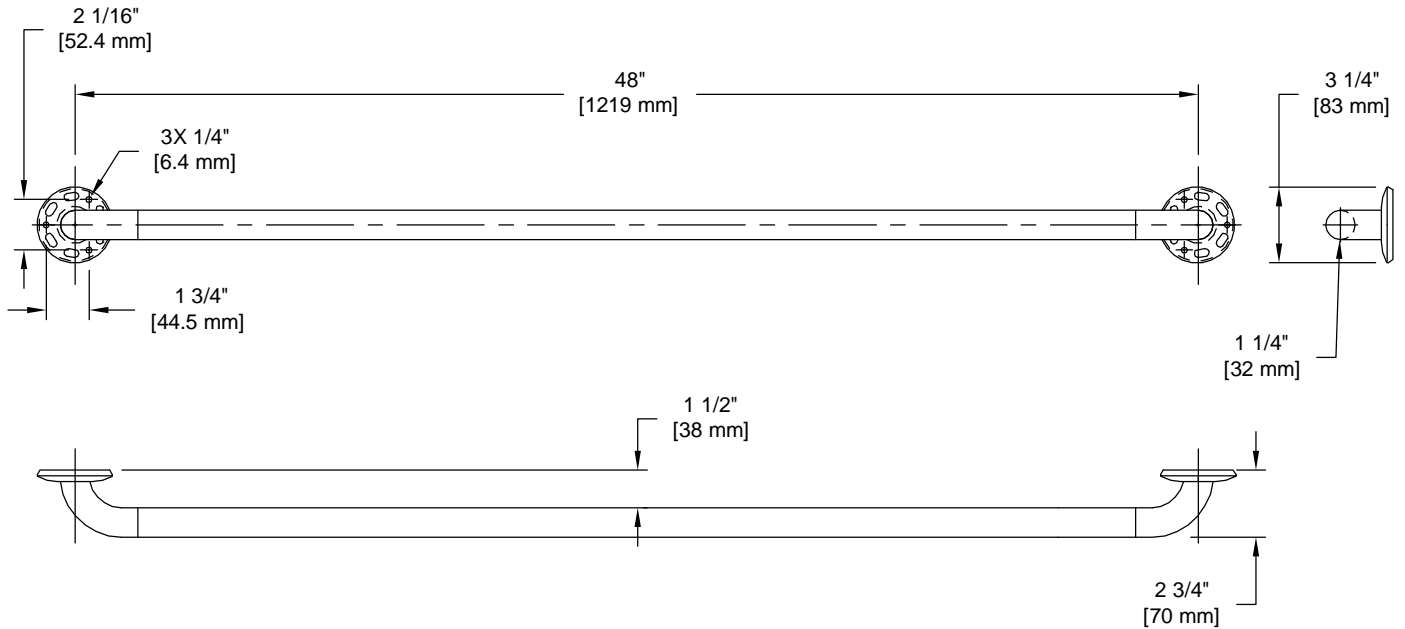


PRODUCT DATA SHEET

Product Description: Peened, non-slip stainless steel grab bar. 48" grab bar with 1 1/4" diameter tube. Fabricated from 18-gauge, type 304 grade stainless steel with a peened, non-slip gripping surface. Welded, type 304 stainless steel mounting flanges. ADA compliant and designed to support loads in excess of 250 lbs when properly installed. Ships with mounting hardware.



WITH MOUNTING
HARDWARE

ADA

304 STAINLESS

Overall Size: 51 1/4" W X 3 1/4" H X 2 3/4" D

Material: 304 Grade Stainless Steel

Finish: US32D Brushed Stainless Steel

Cross Reference

Manufacturer	Part Number



Description:

Grab Bar, 48" Concealed Screw

Part Number:

71795

Date

08/15

Rev.

05

Sheet 1 of 1