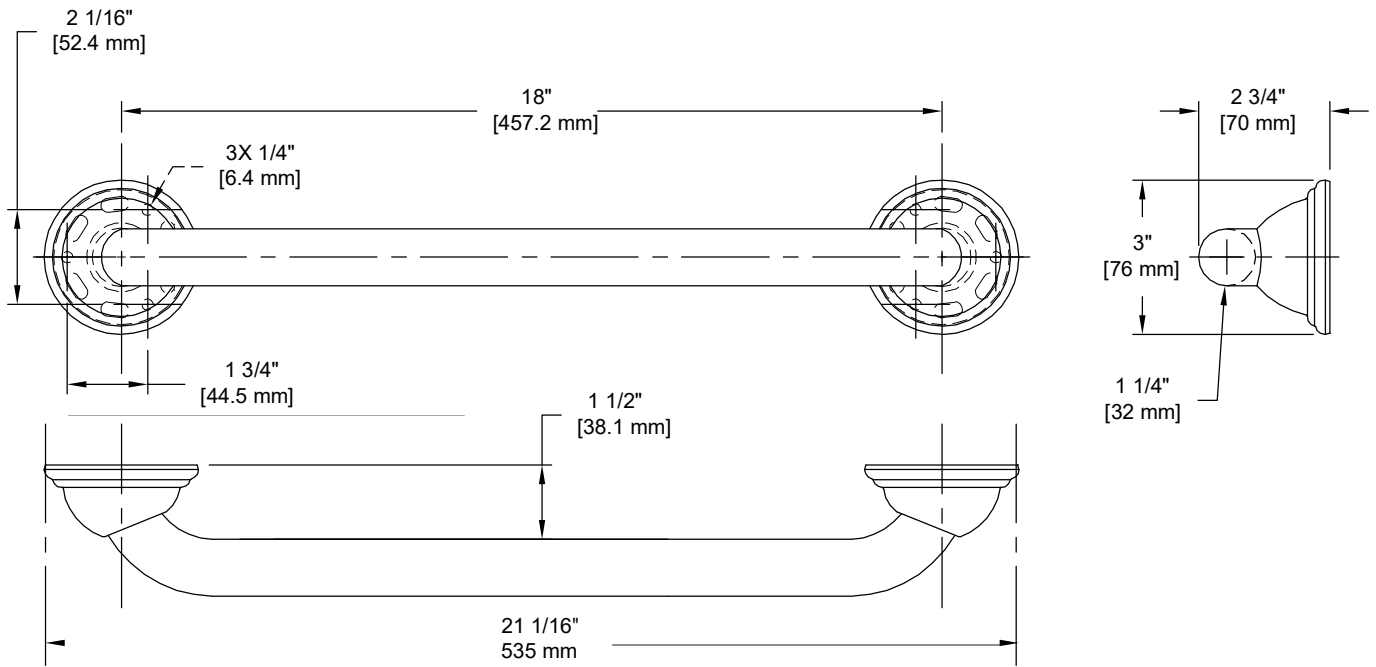


PRODUCT DATA SHEET

Product Description: Decorative " grab bar. 18" center to center of mounting brackets, 21 1/16" overall length. Fabricated from 18-gauge type 304 grade stainless steel, 1 1/2" diameter tube with a US32 polished stainless steel finish. Welded, type 304 stainless steel mounting flanges. ADA compliant and designed to support loads in excess of 250 lbs when properly installed. For your safety, we recommend that a professional installer or licensed contractor performs the grab bar installation. Ships with mounting hardware.



WITH MOUNTING
HARDWARE

ADA

304 STAINLESS

Overall Size: 21 1/16" W X 3 1/4" H X 2 3/4" D

Material: 304 Grade Stainless Steel

Finish: US32 Polished Stainless Steel

Cross Reference

| Manufacturer | Part Number |
|--------------|-------------|
| | |
| | |
| | |



Description:

Grab Bar, 18" Concealed Screw Dome Escutcheon

Part Number:

71783

Date

10/20

Rev.

07

Sheet 1 of 1