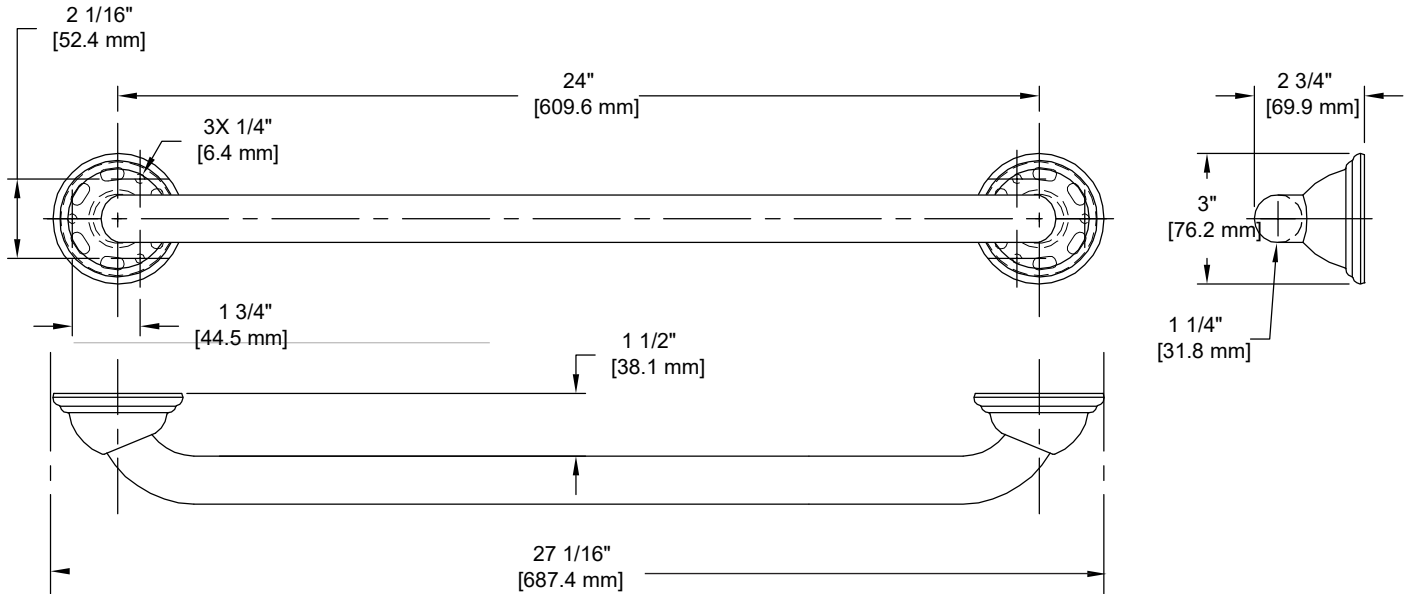


PRODUCT DATA SHEET

Product Description: Decorative 24" grab bar. 24" center to center of mounting brackets, 27" overall length. Fabricated from 18-gauge type 304 grade stainless steel, 1 1/2" diameter tube with a US32D satin stainless steel finish. Welded, type 304 stainless steel mounting flanges. ADA compliant and designed to support loads in excess of 250 lbs when properly installed. For your safety, we recommend that a professional installer or licensed contractor performs the grab bar installation. Ships with mounting hardware.



WITH MOUNTING
HARDWARE

ADA

304 STAINLESS

Overall Size: 27 1/16" W X 3 1/4" H X 2 3/4" D

Material: 304 Grade Stainless Steel

Finish: US32D Brushed Stainless Steel

Cross Reference

Manufacturer	Part Number



Description:

**Grab Bar, 24" Concealed
Screw Dome Escutcheon**

Part Number:

71777

Date

10/20

Rev.

07

Sheet 1 of 1