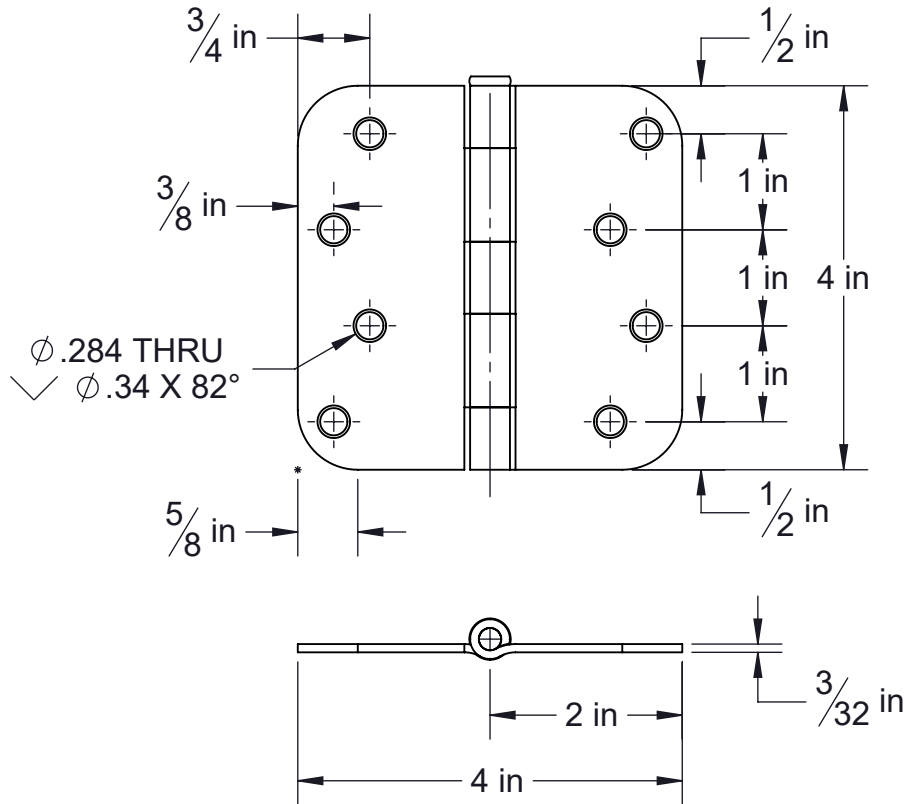


# PRODUCT DATA SHEET

**Product Description:** Plain bearing mortise residential door hinges; 4 In. X 4 In. X 5/8 In. radius corners; 2 hinges per pack; 12 X 3/4 In. Phillips head wood screws included; fabricated from steel; US19 matte black finish.



**Overall Size:** 4" W X 4" H X 5/8" Radius

**Material:** Steel

**Finish:** US19 Matte Black

### Cross Reference

Manufacturer	Part Number



Description:

**Door Hinges, Plain Bearing,  
4 In. X 4 In. X 5/8 In.,  
2 Pack**

Part Number:

**40405819**

Date

Rev.