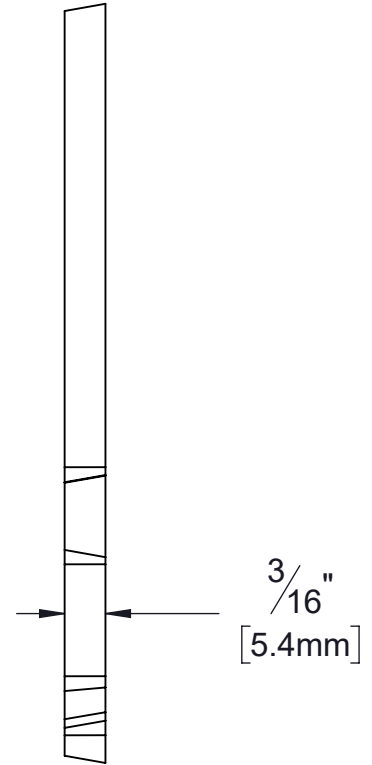
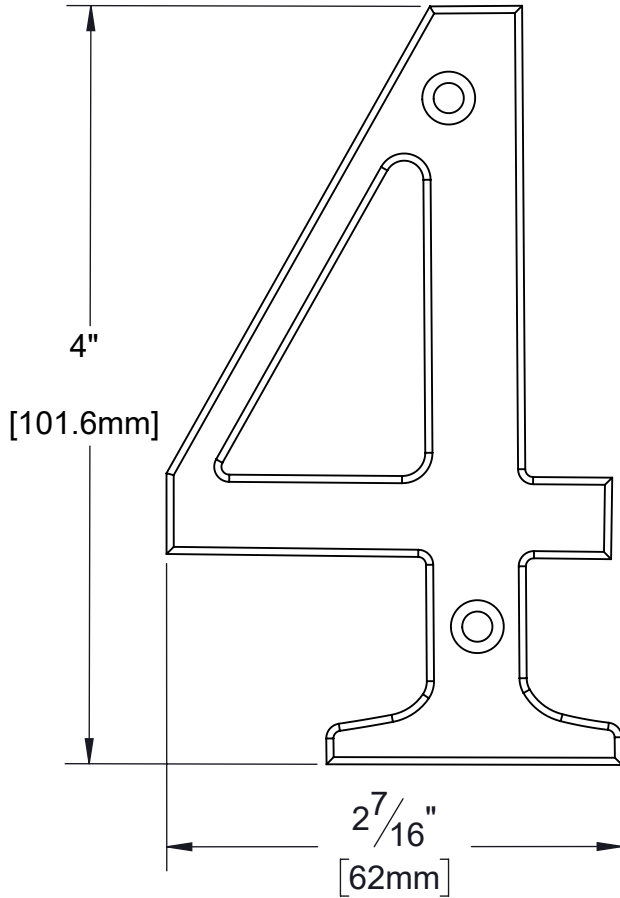


PRODUCT DATA SHEET

Product Description: House number 4. Fabricated from solid brass in a US15 satin nickel finish. 4" high and 2 7/16" wide with 3/16" projection. Ships with mounting hardware.



Overall Size: 4" H X 2 7/16" W X 3/16" D

Material: Solid Brass

Finish: US15 Satin Nickel

Cross Reference

Manufacturer	Part Number



Description:

**4 In. House Number 4,
Solid Brass**

Part Number:

38415

Date

05/23

Rev.

00